



Nome Series

PFTSHSC2000WH / PFTSHSC1000WH

Slow-Close Toilet Seats with Easy-Clean

Product Features

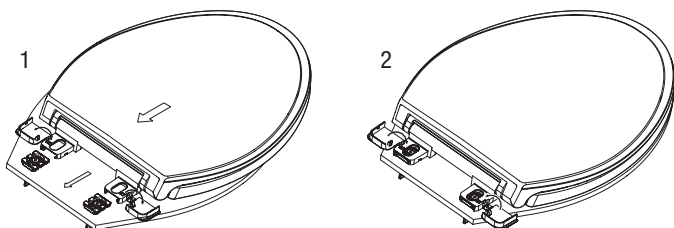
- Heavy-duty molded solid plastic
- Closed front with cover
- Molded in color matched bumpers
- Patented dampening hinge system
- Slide-off hinge for easy cleaning
- Corrosion-proof nuts and bolts
- Bolt material SUS304
- Slip-resistant pads with variable positioning washers
- Adjustable hinge allows for up to 0.59" of adjustment
- Conforms to ANSI Z124.5



PFTSHSC2000WH



PFTSHSC1000WH



Model Numbers

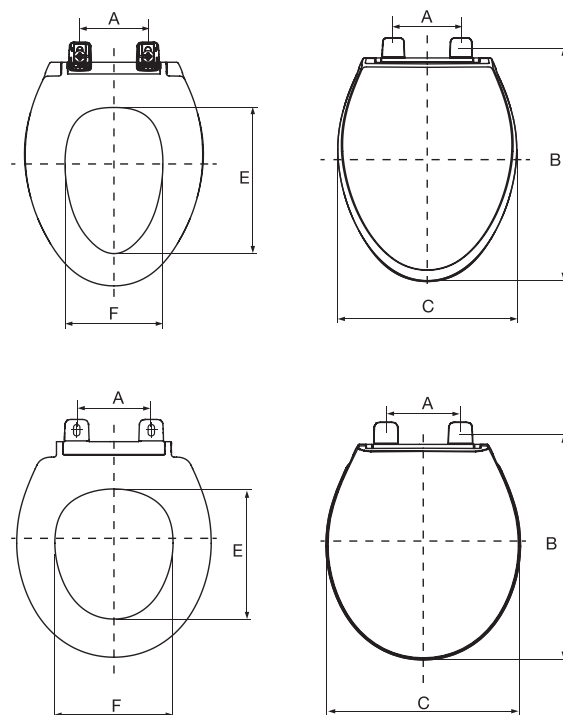
PFTSHSC2000WH Elongated front plastic toilet seat with easy-clean and slow-close
PFTSHSC1000WH Round front plastic toilet seat with easy-clean and slow-close

*For installation on skirted bowl use SH129869

Product Offering

Model Numbers	A	B	C	E	F
PFTSHSC2000WH Elongated front	5.35" - 5.67"	18.54" - 19.13"	14.49"	11.81"	7.91"
PFTSHSC1000WH Round front	5.35" - 5.67"	16.24" - 16.83"	14.33"	9.57"	8.70"

Product Specifications



Warranty and Codes

PROFLO toilet seats carry a 1-year limited warranty. In an effort to continually improve our products, we will make design changes from time to time. We reserve the right to ship newly designed product to fill any order unless we agree in writing to do otherwise.