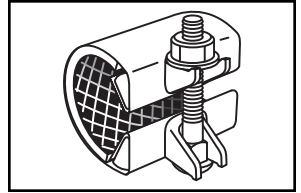


SUBMITTAL INFORMATION

Snap Clamps - (FSC-xxx-Length style)



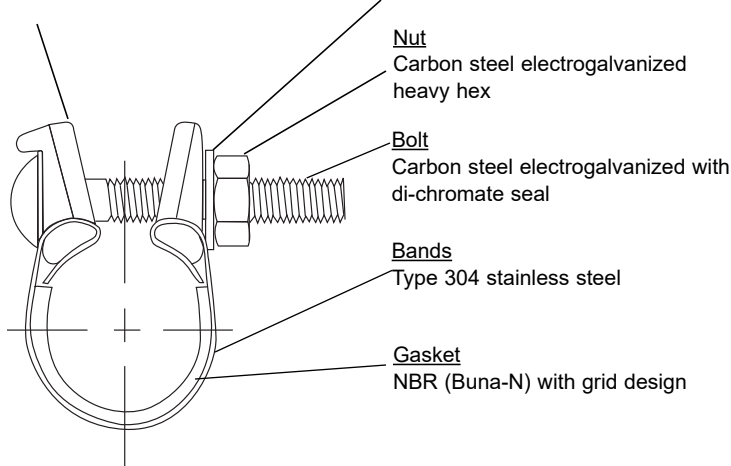
STAINLESS STEEL REPAIR CLAMPS FOR SMALL LEAKS

Lugs

Ductile iron lugs per ASTM A536.
Finish: E-coat epoxy

Washer

Carbon steel electrogalvanized
flat washer



Nut

Carbon steel electrogalvanized
heavy hex

Bolt

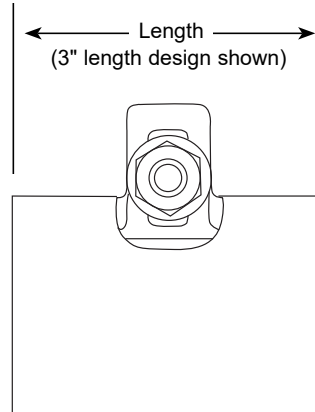
Carbon steel electrogalvanized with
di-chromate seal

Bands

Type 304 stainless steel

Gasket

NBR (Buna-N) with grid design



NOM. PIPE SIZE	PIPE O.D. RANGE (IN.)	LENGTH AND APPROXIMATE WEIGHT (LBS.)				BOLT SIZE	*CATALOG NUMBER	✓ SUBMITTED ITEM(S)
		3"	6"	9"	12"			
1/2"	0.80	0.6	1.21	-	-	3/8"x3-1/2"	FSC-084-Length	
3/4"	1.05	0.65	1.28	1.91	-		FSC-105-Length	
1"	1.32	0.66	1.31	2.0	-		FSC-132-Length	
1-1/4"	1.66	0.73	1.42	2.15	-		FSC-166-Length	
1-1/2"	1.90	0.74	1.44	2.75	2.86		FSC-190-Length	
2"	2.38	1.0	2.0	3.2	4.0	7/16"x4"	FSC-238-Length	
2"	2.66	1.0	2.1	3.3	4.1		FSC-266-Length	
2-1/2"	2.88	1.0	2.2	3.3	4.2		FSC-288-Length	
3"	3.50	1.4	2.6	4.0	5.2		FSC-350-Length	
3-1/2"	4.00	1.4	2.7	4.2	5.4		FSC-400-Length	
4"	4.50	1.4	2.8	4.2	5.6		FSC-450-Length	
5"	5.56	1.6	3.0	4.8	6.4		FSC-556-Length	
6"	6.00	1.9	3.5	5.0	6.7		FSC-600-Length	
	6.63	2.2	3.7	5.6	7.4		FSC-663-Length	
8"	8.00	2.2	4.4	6.6	8.0		FSC-800-Length	
	8.63	2.5	4.9	6.9	8.8	FSC-863-Length		
Number of Bolts		1	2	3	4			

*Add length option (3, 6, 9, or 12) to complete catalog number. Example: FSC-084-3

FEATURES AND OPTIONS

- Drop-in bolt design allows bolts to remain attached - no loose parts to lose in the ditch
- Gaskets are heavy-grid design and extend lug to lug
- Stainless steel hardware is optional. Add "-SH" to end of catalog number. Example: FSC-084-3-SH

The Ford Meter Box Company considers the information in this submittal form to be correct at the time of publication. Item and option availability, including specifications, are subject to change without notice. Please verify that your product information is current. Our standard warranty applies.



The Ford Meter Box Company, Inc.

P.O. Box 443, Wabash, Indiana U.S.A. 46992-0443
Phone: 260-563-3171 / Fax: 800-826-3487
Overseas Fax: 260-563-0167
www.fordmeterbox.com

12/05/19

Submitted By: