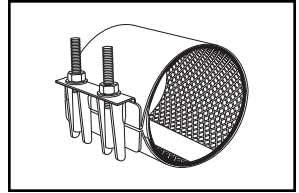


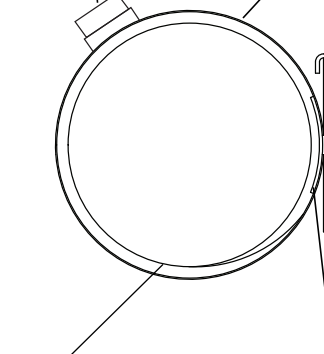
SUBMITTAL INFORMATION

Repair Clamps - (FS1-xxxx-Length style)

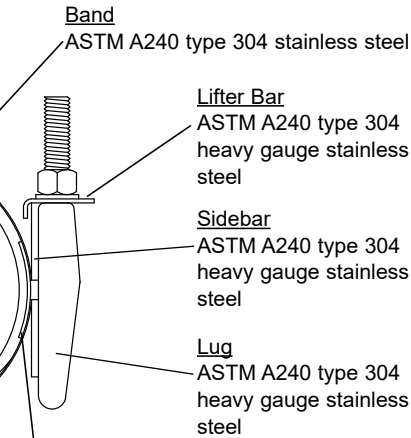


10" AND 12" ALL STAINLESS STEEL CIRCLE REPAIR CLAMPS

Optional Stainless Taps
ASTM A240 type 304 stainless steel tig welded to band. Available with AWWA or I.P. threads.



Gasket
Gridded virgin SBR compounded for water service, per ASTM D2000. NBR (Buna-N) is optional.

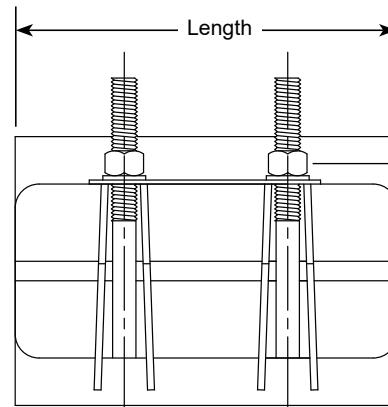


Band
ASTM A240 type 304 stainless steel

Lifter Bar
ASTM A240 type 304 heavy gauge stainless steel

Sidebar
ASTM A240 type 304 heavy gauge stainless steel

Lug
ASTM A240 type 304 heavy gauge stainless steel



Bolts & Nuts
ASTM A240 type 304 stainless steel nuts and washers. Nuts are coated to prevent galling.

OUTLET THREAD TAP CODE

CC (AWWA) THREAD		IP THREAD	
THREAD	CODE NUMBER	THREAD	CODE No.
3/4" CC	-CC3	3/4" IP	-IP3
1" CC	-CC4	1" IP	-IP4
1-1/4" CC	-CC5	1-1/4" IP	-IP5
1-1/2" CC	-CC6	1-1/2" IP	-IP6
2" CC	-CC7	2" IP	-IP7

NOM. PIPE SIZE	PIPE O.D. RANGE	LENGTH AND APPROXIMATE WEIGHT (LBS.)								BOLT SIZE	BAND THICKNESS	CATALOG NUMBER	✓ SUBMITTED ITEM(S)
		7.5"	10"	12.5"	15"	20"	24"	30"	36"				
10"	9.70 - 10.10	11	14	16	24	28	32	42	49	5/8" 11 UNC	20 GA.	FS1-1010-Length	
	9.95 - 10.35											FS1-1035-Length	
	10.64 - 11.04											FS1-1104-Length	
	11.04 - 11.44											FS1-1144-Length	
	11.34 - 11.74											FS1-1174-Length	
	11.75 - 12.15											FS1-1215-Length	
12"	12.00 - 12.40	13	16	18	27	30	36	48	57			FS1-1240-Length	
	12.10 - 12.50											FS1-1250-Length	
	12.62 - 13.02											FS1-1302-Length	
	13.10 - 13.50											FS1-1350-Length	
	13.40 - 13.80											FS1-1380-Length	
	13.70 - 14.10											FS1-1410-Length	
14.00 - 14.40	FS1-1440-Length												
Number of Bolts		2	3	4	4	6	7	9	10				

FEATURES

- NBR (Buna-N) gasket and conductivity strips are available
- Also available in two-and three-section clamps for a wider range of pipe sizes and tolerances
- Optional outlet taps are available for repair of service line pull-outs. Add tapping code to catalog number
- All welds are fully passivated to restore corrosion resistant characteristics of stainless steel
- UL classified to ANSI/NSF Standard 61

The Ford Meter Box Company considers the information in this submittal form to be correct at the time of publication. Item and option availability, including specifications, are subject to change without notice. Please verify that your product information is current.



The Ford Meter Box Company, Inc.
P.O. Box 443, Wabash, Indiana U.S.A. 46992-0443
Phone: 260-563-3171 / Fax: 800-826-3487
Overseas Fax: 260-563-0167
www.fordmeterbox.com

11/10/17

Submitted By: