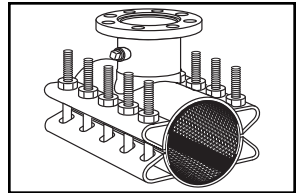


SUBMITTAL INFORMATION

Stainless Steel Tapping Sleeve 14"-24" - (FTSS-xxxx style)

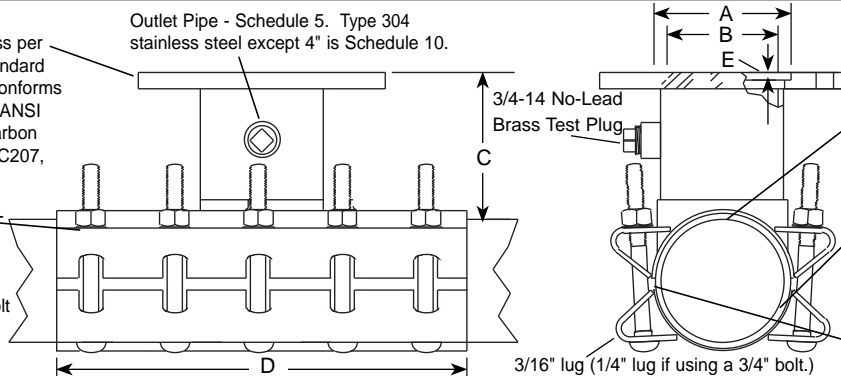


TAPPING SLEEVE WITH STAINLESS STEEL OR CARBON STEEL FLANGE

Flange - 18-8 Type 304 stainless steel with recess per MSS SP60 to accept standard tapping valves. Flange conforms to AWWA C228 Class D ANSI 150# drilling. Optional carbon steel flange, per AWWA C207, is available.

Bolts, Nuts, & Washers - Type 304 stainless steel. Heavy hex nuts are coated to prevent galling and maximize bolt efficiency.

Outlet Pipe - Schedule 5, Type 304 stainless steel except 4" is Schedule 10.



Outlet Gasket - Virgin Buna-N compounded for water service, per ASTM D2000. Outlet gasket assures complete seal of outlet area.
Full Gasket - Gridded virgin SBR compounded for water service, per ASTM D2000. Full gasket gives 360° pipe coverage.
Armors - Hardened heavy gage stainless steel are vulcanized to gasket and recessed to bridge the gap between lugs.

NOM. PIPE SIZE	SLEEVE O.D. RANGE	CATALOG NUMBER	FLANGED OUTLET SIZE*	APPROX. Wt.	NOMINAL DIMENSIONS - INCHES					SADDLE THICKNESS (GAGE)	STRAP THICKNESS (GAGE)	BOLT SIZE	No. BOLTS	✓SUBMITTED ITEM(S)
					A	B	C	D	E					
14"	15.30-15.70	FTSS-1570-	3"	73	4-1/64	3-1/4	5-3/16	16	.24	.105" (12)	.075" (14)	3/4"x8-1/2"	10	
			4"	75	5-1/64	4-1/4	5-3/16	16	.28					
	16.48-16.88	FTSS-1620-	6"	82	7-1/64	6-13/32	5-1/2	16	.34					
			8"	102	9-1/64	8-13/32	5-5/8	20	.34					
			10"	110	11-1/64	10-31/64	6-1/8	20	.34					
16"	17.20-17.60	FTSS-1760-	3"	76	4-1/64	3-1/4	5-3/16	16	.24	.105" (12)	.075" (14)	3/4"x8-1/2"	10	
			4"	78	5-1/64	4-1/4	5-3/16	16	.28					
	18.80-19.20	FTSS-1780-	6"	84	7-1/64	6-13/32	5-1/2	16	.34					
			8"	104	9-1/64	8-13/32	5-5/8	20	.34					
			10"	114	11-1/64	10-31/64	6-1/8	20	.34					
18"	19.50-19.92	FTSS-1860-	3"	150	13-1/64	12-27/64	6-1/4	24	.34	.105" (12)	.075" (14)	3/4"x8-1/2"	14	
			4"	82	4-1/64	3-1/4	5-3/16	16	.24					
	19.80-20.20	FTSS-1920-	6"	84	5-1/64	4-1/4	5-3/16	16	.28					
			8"	90	7-1/64	6-13/32	5-1/2	16	.34					
			10"	112	9-1/64	8-13/32	5-5/8	20	.34					
20"	20.20-20.60	FTSS-2020-	3"	84	4-1/64	3-1/4	5-3/16	16	.24	.105" (12)	.075" (14)	3/4"x8-1/2"	10	
			4"	86	5-1/64	4-1/4	5-3/16	16	.28					
	21.20-21.60	FTSS-2060-	6"	92	7-1/64	6-13/32	5-1/2	16	.34					
			8"	114	9-1/64	8-13/32	5-5/8	20	.34					
			10"	123	11-1/64	10-31/64	6-1/8	20	.34					
24"	23.80-24.20	FTSS-2160-	3"	95	4-1/64	3-1/4	5-3/16	16	.24	.105" (12)	.075" (14)	3/4"x8-1/2"	10	
			4"	97	5-1/64	4-1/4	5-3/16	16	.28					
	26.20-26.60	FTSS-2420-	6"	103	7-1/64	6-13/32	5-1/2	16	.34					
			8"	127	9-1/64	8-13/32	5-5/8	20	.34					
			10"	136	11-1/64	10-31/64	6-1/8	20	.34					
26.20-26.60	FTSS-2600-	12"	178	13-1/64	12-27/64	6-1/4	24	.34	.105" (12)	.075" (14)	3/4"x8-1/2"	14		
		12"	178	13-1/64	12-27/64	6-1/4	24	.34						

* For carbon steel flange, add "A" to the catalog number. Example: The complete FTSS catalog number for a 16" pipe (18.15 O.D.) with a 12" stainless steel flange is FTSS-1860-12. For a carbon steel flange the number is FTSS-1860-12A. Add "-SP" for options stainless steel test plug.

FEATURES

- UL Classified to ANSI/NSF Standard 61 Annex G
- Complies with AWWA C223 and MSS SP-124
- All sleeves fully passivated for corrosion resistance
- Rated for 200 psi sizes 14"-16", 175 psi sizes 18"-20", and 150 psi in 24"

The Ford Meter Box Company considers the information in this submittal form to be correct at the time of publication. Item and option availability, including specifications, are subject to change without notice. Please verify that your product information is current.



The Ford Meter Box Company, Inc.

P.O. Box 443, Wabash, Indiana U.S.A. 46992-0443

Phone: 260-563-3171 / Fax: 800-826-3487

Overseas Fax: 260-563-0167

<http://www.fordmeterbox.com>

01/21/14

Submitted By: