

- LG49-DAPB Finish(B)
- LG49-DAPC Finish(C)
- LG49-DAPK Finish(K)

Specifications

- All Metal Construction
- Ultra Seal Ceramic Cartridges
- Push & Seal™ Drain Included

Features

- 1.2 GPM Flow Rate
- All Metal Construction
- Includes Push & Seal™ Drain
- Ultra Seal Ceramic Disc Valves
- Fixed Hubs
- Pforever Warranty®

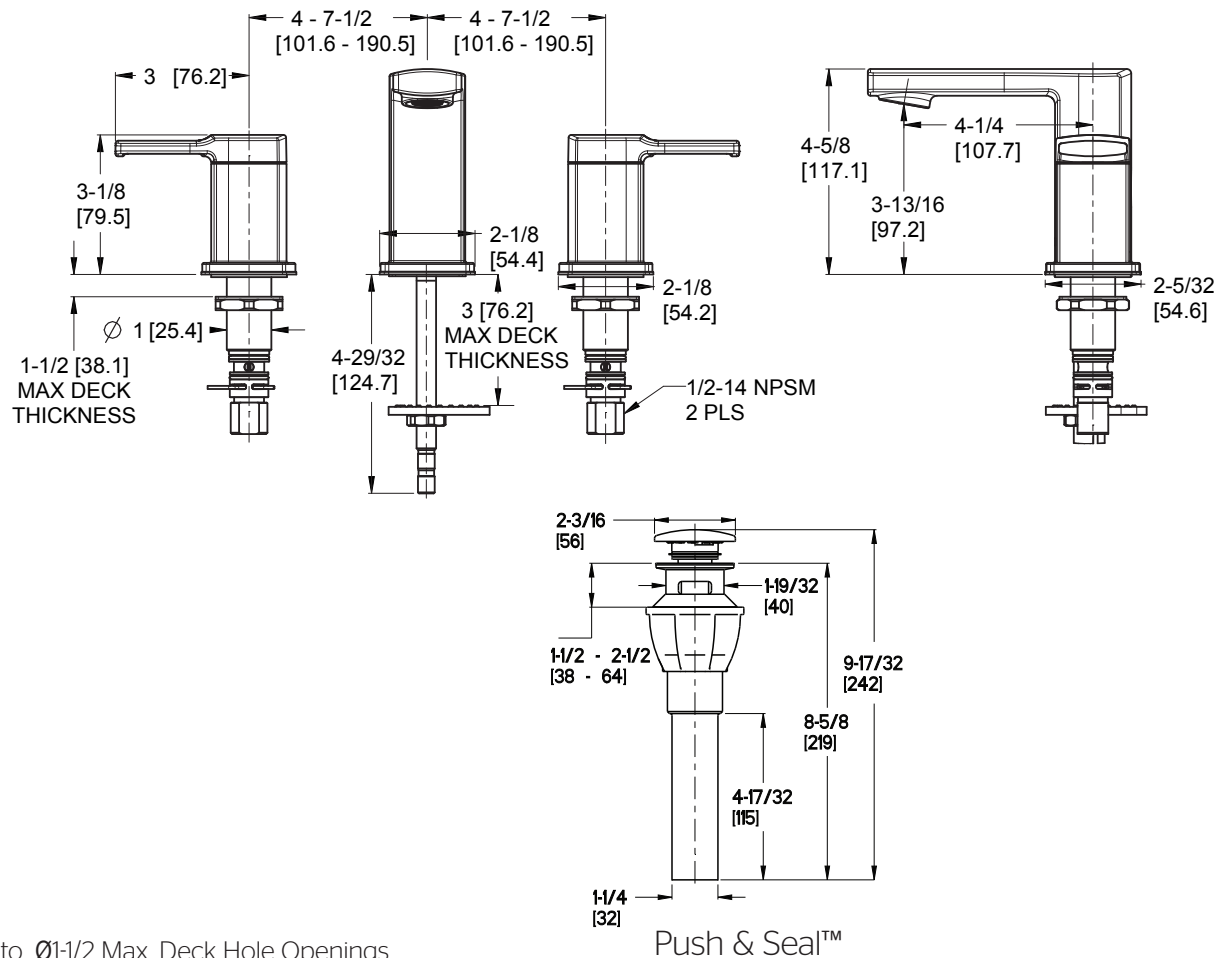
Code Compliance

Pfister products are designed and manufactured in compliance with the following standards and codes:

- IAPMO Certified
- CSA B125 Certified
- ASME A112.18.1
- NSF 61/9 Annex G (Low lead)
- Cal Green Compliant
- CEC Compliant
- ADA Compliant-ANSI A117.1 (Lever handles only)
- EPA WaterSense Certification 1.2 gpm, 4.5 L/Min



Dimensions



Ø1-1/7 Min to Ø1-1/2 Max. Deck Hole Openings