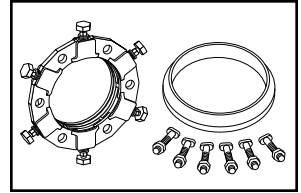


# SUBMITTAL INFORMATION

Uni-Flange® Mechanical Joint Restraint - (UFR1500-CA-x-OS-U style)

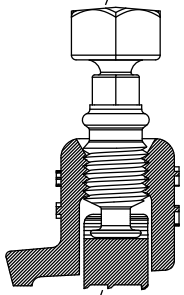


## 4" - 8" OLD STYLE SERIES UFR1500 MECHANICAL JOINT RESTRAINT FOR C900, C909 OR HDPE PACKAGED WITH ACCESSORIES

Ductile iron actuating screw, with the Auto-Tork break-away head design, ensures proper torque during installation

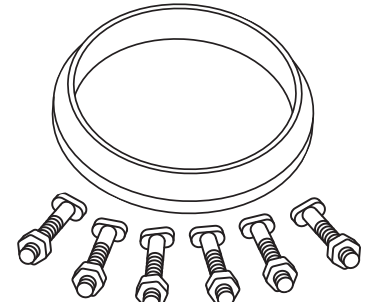
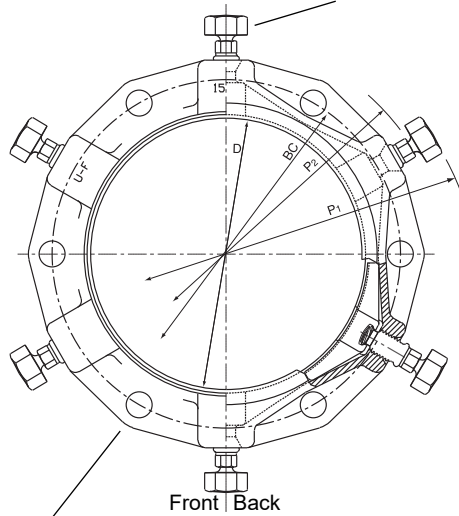
Mechanical joint gasket

Auto-Tork Bolt



Restraint Segment

Ring segments are ductile iron per ASTM A536 and heat treated to a hardness of 310 BHN minimum



High strength, low alloy t-bolts & nuts (AWWA C111)

Gland body is of high strength ductile iron per ASTM A536, grade 65-45-12. Compatible with all mechanical joints conforming to ANSI / AWWA C111 / A21.11

NOM PIPE SIZE	PIPE O.D. (IN.)	CATALOG NUMBER	NO. OF SEGMENTS	APPROX. WEIGHT (LBS)	P1*	P2** APPROX. C900 C909	BC	D	PRESSURE RATING (PSI)				✓ SUBMITTED ITEM(S)
									C900		C909		
									DR-14	DR-18	DR-25	PC-235	
4"	4.80	UFR1500-CA-4-OS-U	4	14.2	13.00"	9.40"	7.50"	4.90"	305	235	165	235	
6"	6.90	UFR1500-CA-6-OS-U	6	20.1	15.13"	11.60"	9.50"	7.00"	305	235	165	235	
8"	9.05	UFR1500-CA-8-OS-U	6	24.3	17.25"	13.75"	11.75"	9.15"	305	235	165	235	

\*Maximum O.D. of gland on pipe before Auto-Tork heads are removed (as shipped)

\*\*Maximum O.D. of gland on pipe after Auto-Tork heads are removed

**Note:** Ford recommends the use of a properly sized insert stiffener when using UFR1500 on HDPE

### FEATURES

- Fits C900, C909 and HDPE
- Full circle contact and support of the pipe wall
- Auto-Tork actuating screws with heads specially designed to twist off at the correct installation torque, leaving a hex head for future system maintenance if removal is required
- Set of high strength, low alloy t-bolts and nuts (AWWA C111)
- Mechanical joint gasket (AWWA C111)
- Series 1500 eliminates the need to pour expensive and time consuming concrete thrust blocks
- Restraining segments are mechanically retained in pockets
- Gland, screws and segments are protected with black Armorguard e-coat
- Gland colored red for identification purposes

The Ford Meter Box Company considers the information in this submittal form to be correct at the time of publication. Item and option availability, including specifications, are subject to change without notice. Please verify that your product information is current. Our standard warranty applies.



**The Ford Meter Box Company, Inc.**

P.O. Box 443, Wabash, Indiana U.S.A. 46992-0443

Phone: 260-563-3171 / Fax: 800-826-3487

Overseas Fax: 260-563-0167

www.fordmeterbox.com



06/29/21

Submitted By: