

# FNW 9304

## HYDRANT ADAPTERS



### BRASS MALE SWIVEL ADAPTER

#### FEATURES

- Used to allow the coupling and hose connection to rotate, which prevents twisting, kinking and excessive bending
- Fire Hose Female x Male threaded connection
- Pin lug
- Washer seal on FNST end
- Thread seal on MNPT end



#### PART MATERIALS & QUANTITY

- Brass C38500 MOD1

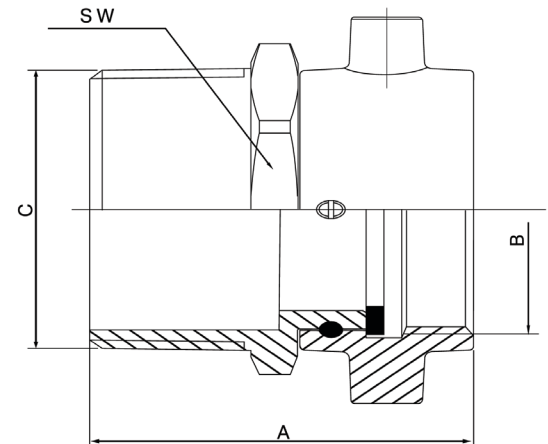
#### REPLACEMENT BUNA GASKETS

Size	Part Number
1-1/2	FNW9300J
2-1/2	FNW9300L

**Note:** Only compatible with Female NST adapters

#### PRODUCT SPECIFICATIONS

PRODUCT CODE	DESCRIPTION	WEIGHT
FNW9304JJ	1-1/2 FNST X 1-1/2 MNPT SWVL ADPT	0.913
FNW9304LK	2-1/2 FNST X 2 MNPT SWVL ADPT PIN	2.619
FNW9304LL	2-1/2 FNST X 2-1/2 MNPT BRS SWVL AD	2.507
FNW9304LM	2-1/2 FNST X 3 MNPT BRS SWVL ADPT	2.855



#### PARTS BREAKDOWN

PRODUCT CODE	A	B	C	SW	WASHER
FNW9304JJ	2.24	1-1/2 FNST	1-1/2 MNPT	2.01	V
FNW9304LK	2.94	2-1/2 FNST	2 MNPT	3.19	V
FNW9304LL	3.00	2-1/2 FNST	2-1/2 MNPT	3.15	V
FNW9304LM	3.18	2-1/2 FNST	3 MNPT	3.66	V

**Note:** Tolerance: Cast Dim.: +/-0.03" Machining Dim.: +/-0.02"