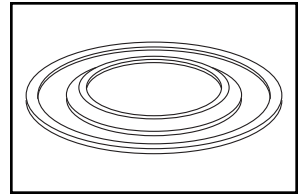
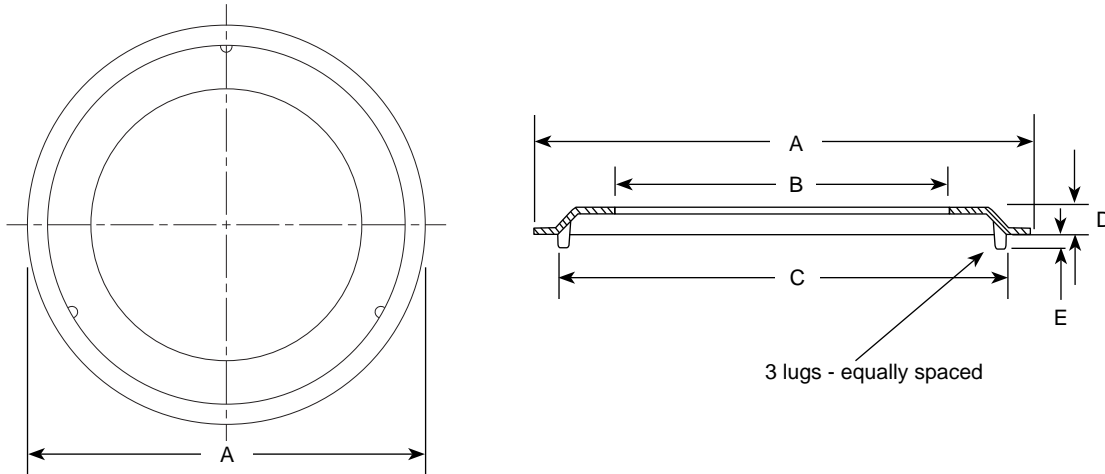


SUBMITTAL INFORMATION

Extension Ring - (EXT-x style)



ADAPTS 18" OR 20" COVER TO 24" METER PIT



TILE I.D.	DIMENSION					DESCRIPTION AND EXTENSION RING SIZE	APPROX. WT. LBS.	CATALOG NUMBER	✓ SUBMITTED ITEM(S)
	A	B	C	D	E				
24"	26-1/4"	17-3/4"	23-1/2"	1-3/8"	5/8"	Adapts 18" cover to 24" tile	24.0	EXT-1	
24"	26-1/4"	19-3/4"	23-1/4"	1-3/8"	5/8"	Adapts 20" cover to 24" tile	21.0	EXT-2	

FEATURES

- Extension Rings are cast iron per ASTM A48, Class 25
- Finish is black e-coating

The Ford Meter Box Company considers the information in this submittal form to be correct at the time of publication. Item and option availability, including specifications, are subject to change without notice. Please verify that your product information is current.



The Ford Meter Box Company, Inc.

P.O. Box 443, Wabash, Indiana U.S.A. 46992-0443

Phone: 260-563-3171 / Fax: 800-826-3487

Overseas Fax: 260-563-0167

<http://www.fordmeterbox.com>

06/05/13

Submitted By: