



# PF92151 Stainless / Cast Iron Sump Pump

### Product Features

- Rugged stainless steel and cast iron pump body for durability
- Vertical float switch
- 2" NPT Discharge
- 2" x 1-1/2" NPT Adapter
- Handles up to 1/2" solids
- Non-clogging stainless steel vortex impeller
- Integrated carrying handle
- 10' power supply cord
- Built-in thermal overload protection for safety
- Permanent split capacitor continuous duty motor



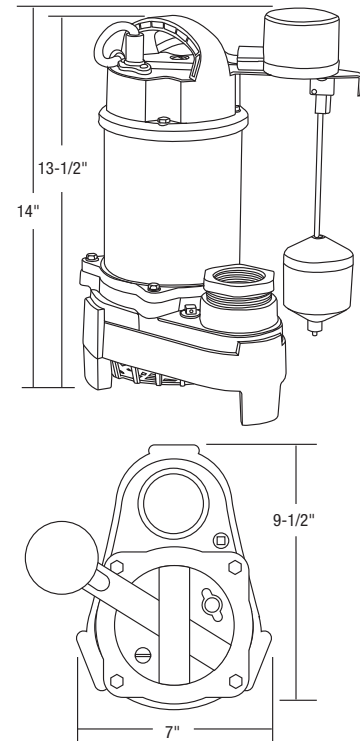
PF92151

### Motor Performance

- 1 HP 120 Volt AC (12 amps)

Performance Chart										
Lift	0'	5'	10'	15'	20'	25'	30'	35'	40'	45'
GPM	86	81	75	68	61	52	43	31	20	3
GPH	5160	4860	4500	4080	3660	3120	2580	1860	1200	180

### Product Specifications



\* All measurements are nominal. Please verify before actual installation.

### Warranty and Codes

This product comes complete with installation, operating, care and maintenance instructions. This PROFLO sump pump carries a 5 year warranty when installed in residential applications. See owners manual for warranty details.

This PROFLO sump pump carries a 5 year limited warranty. In an effort to continually improve our products, we will make design changes from time to time. We reserve the right to ship newly designed product to fill any order unless it is agreed in writing to do otherwise.



PROFLO.COM