

FIGURE 510A Y-STRAINER



BRONZE 400 WOG Y-STRAINER

FEATURES

- 400 WOG
- 250 SWP
- Solder ends
- Cast bronze body
- 20 mesh stainless steel screen
- Blow-off plug included

STANDARDS

- Solder Ends: ANSI/ASME B16.18
- Shell (Hydro) Text Pressure: 600 PSI



FIGURE NUMBER MATRIX

FNW 510A		
<i>Replacement Screens</i>	<i>Replacement Gaskets</i>	<i>Size Code</i>
1/2 = FNW510SD	1/2 = FNWX510GD	1/2" = D 1-1/4" = H
3/4 = FNWX510SF	3/4 = FNWX510GF	3/4" = F 1-1/2" = J
1 = FNWX510SG	1 = FNWX510GG	1" = G 2" = K
1-1/4 = FNWX510SH	1-1/4 = FNWX510GH	
1-1/2 = FNWX510SJ	1-1/2 = FNWX510GJ	
2 = FNWX510SK	2 = FNWX510GK	

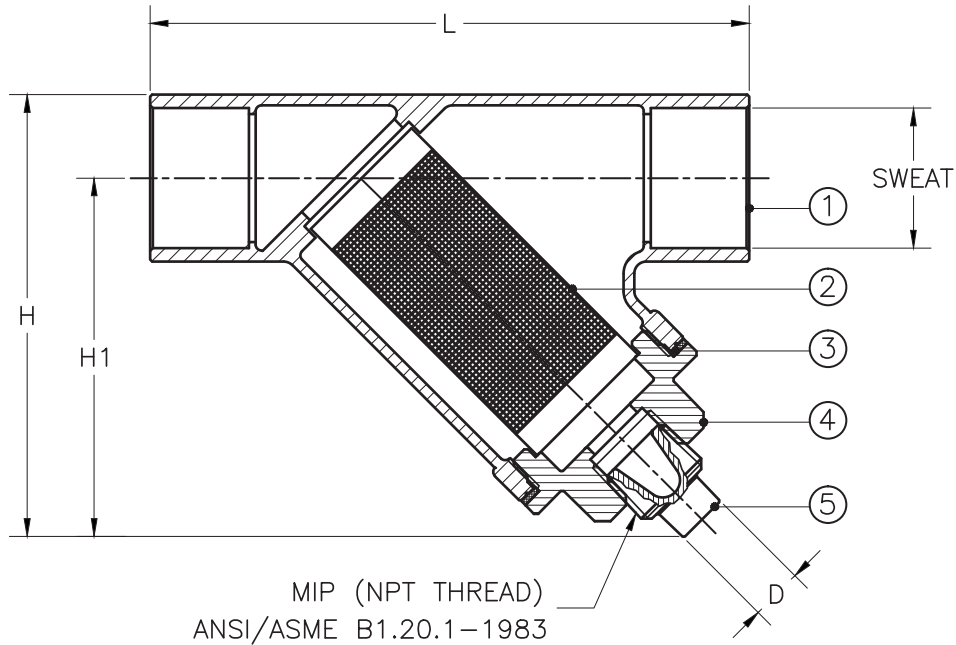
CV & WEIGHT

Size	Cv	Wt (lbs)
1/2	5.2	0.692
3/4	9.8	1.045
1	16.8	1.548
1-1/4	27.8	2.436
1-1/2	38.6	3.134
2	45.1	5.279

FIGURE 510A Y-STRAINER

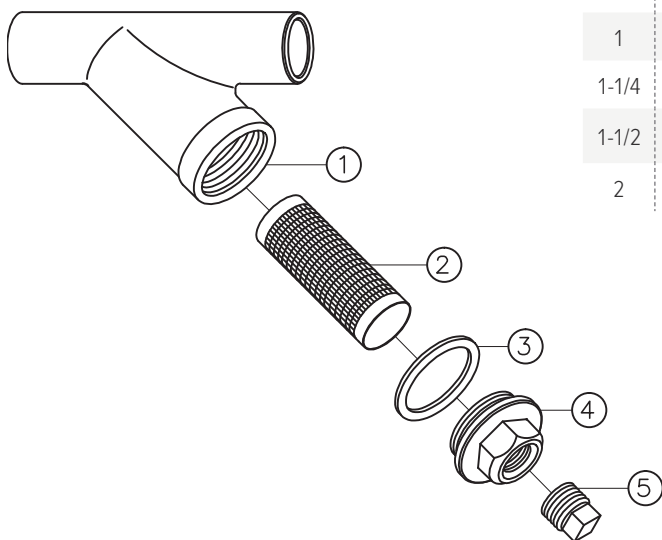


BRONZE 400 WOG Y-STRAINER



DIMENSIONS (INCHES)

Size		Dimensions				Sweat		Flow Rate	Pressure Test (PSI)	Pressure Drop (PSI)
FNPT inlet	MNPT outlet	D	H	H1	L	Min	Max			
1/2	3/8	0.45	2.84	2.402	3.42	0.62	0.63	16.32	25	10
3/4	1/2	0.45	3.27	2.697	4.31	0.87	0.88	30.97	25	10
1	1/2	0.45	3.78	3.110	5.09	1.12	1.13	53.07	25	10
1-1/4	1/2	0.45	4.37	3.543	5.90	1.37	1.38	87.90	25	10
1-1/2	1/2	0.45	4.82	3.858	6.89	1.62	1.63	122.09	25	10
2	1/2	0.45	5.91	4.685	8.62	2.12	2.13	142.75	25	10



STANDARD MATERIALS

Ref. No.	Description	Material	Qty
1	Body	Cast Bronze C84400	1
2	Filter	Stainless Steel 304 #20 Mesh	1
3	Packing	Non-Asbestos	1
4	Bonnet	Cast Bronze C84400	1
5	Plug	Cast Bronze C84400	1