

**BRONZE 250 WOG
 Y-STRAINER**

Features:

- 250 WOG
- 150 SWP
- Threaded NPT Ends
- Cast Bronze Body
- 20 Mesh Stainless Steel Screen
- Blow-off Plug Included

Standards:

- NPT Ends: ANSI/ASME B1.20.1
- Shell (Hydro) Test Pressure: 375 PSI



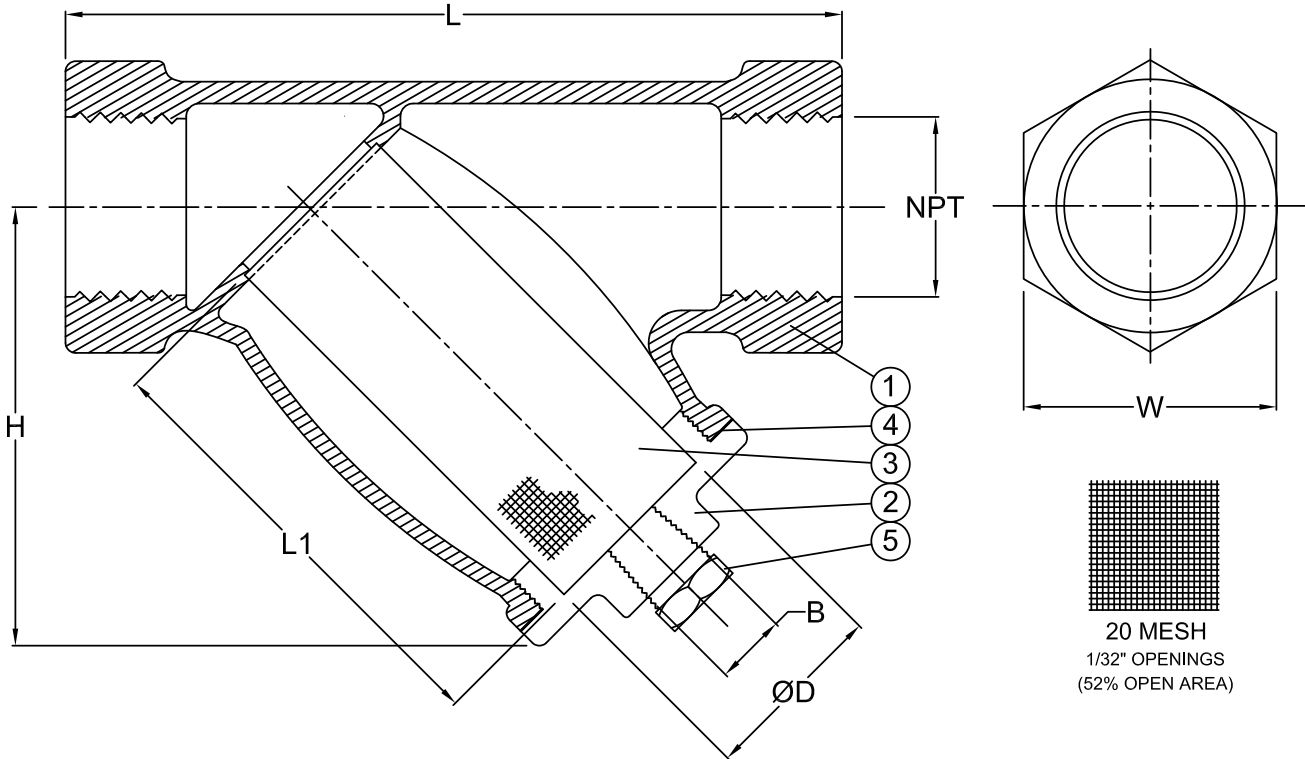
Cv & Weights

Size	Cv	Wt (Lbs)
3/8	3.2	0.82
1/2	9.2	0.82
3/4	17.5	1.23
1	28	2.12
1-1/4	45	2.82
1-1/2	62	4.37
2	96	7.72

Figure Number Matrix

FNW 509 Size	
SIZE CODE	
3/8 = C	1-1/4 = H
1/2 = D	1-1/2 = J
3/4 = F	2 = K
1 = G	
REPLACEMENT SCREENS	REPLACEMENT GASKETS
3/8 & 1/2 = FNW509SCD	1/2 = FNW509GD
3/4 = FNW509SF	3/4 = FNW509GF
1 = FNW509SG	1 = FNW509GG
1-1/4 = FNW509SH	1-1/4 = FNW509GH
1-1/2 = FNW509SJ	1-1/2 = FNW509GJ
2 = FNW509SK	2 = FNW509GK

BRONZE 250 WOG Y-STRAINER



Dimensions

Size	L	H	W	B (NPT)	L1	ØD
3/8	3.08	1.93	1.14	1/4"	1.56	0.62
1/2	3.08	1.93	1.14	1/4"	1.56	0.62
3/4	3.86	2.44	1.38	1/4"	2.19	0.87
1	4.45	2.76	1.73	3/8"	2.62	1.12
1-1/4	5.26	3.19	2.05	3/8"	3.07	1.38
1-1/2	6.26	3.82	2.36	1/2"	3.46	1.69
2	7.64	4.72	2.83	1/2"	4.65	2.17

Standard Materials

Ref. No.	Description	Material
1	Body	Bronze ASTM B584-C84400
2	Cover	Bronze ASTM B584-C84400
3	Screen	Stainless Steel ASTM A167-304
4	Gasket	Non-Asbestos
5	Plug	Brass C3604

DOC: FNW50908 Ver. 12/2017

© 2017 - FNW. All rights reserved.

The FNW logo is a trademark of Ferguson Enterprises, Inc., PL Sourcing, PO Box 2778, Newport News, VA 23609

The contents of this publication are presented for information purposes only, and while effort has been made to ensure their accuracy, they are not to be construed as warranties or guarantees, expressed or implied, regarding the products or services described herein or their use or applicability. All sales are governed by our terms and conditions, which are available on request. We reserve the right to modify or improve the designs or specifications of our products at any time without notice. Always verify that you have the most recent product specifications or other documentation prior to the installation of these products.