



LED T8 Type AB Tubes

Lamp Ballast and Line Voltage Compatible



TCP now offers LED T8 Type AB Tubes. These T8 tubes provide Direct Wire or Plug and Play application and are compatible with many Instant Start Ballasts.

Reasons to choose the LED T8 Type AB Tubes from TCP

- Bypass Application: 120-277 line voltage
- Plug and Play Application: Compatible with many Instant Start Ballasts
- Instant startup
- Double ended construction for safety
- Shunted or non-shunted lampholders
- Highly durable PET Coated glass available

Ideal Applications

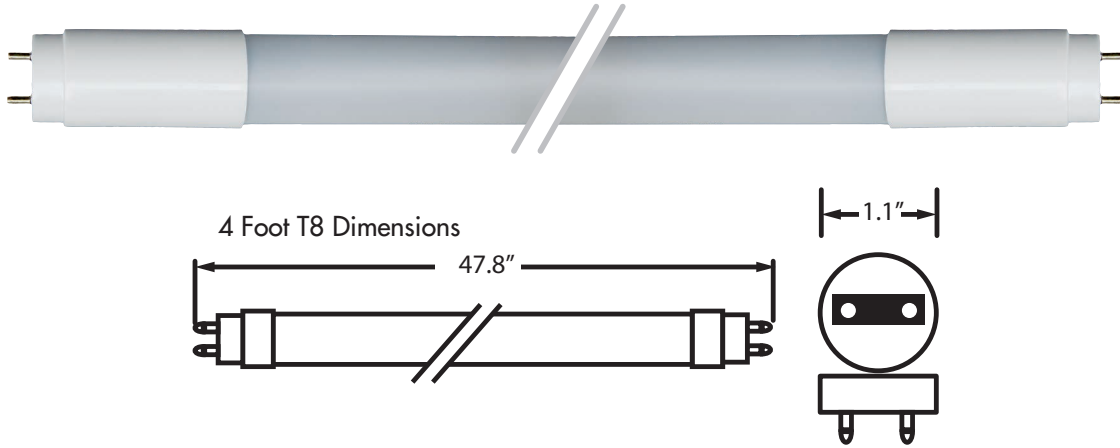
- Offices
- Restaurants
- Retail Stores
- Lobbies
- Schools
- Hospitals

Specifications:

Base Types.....G13
 Construction Double-ended
 Wattage..... 15W
 Operating Temperature Range -20°C – 45°C
 Safety ETL Classified
 Target Replacement Lamps 32W/48T8
 Environment..... Damp/Dry Locations

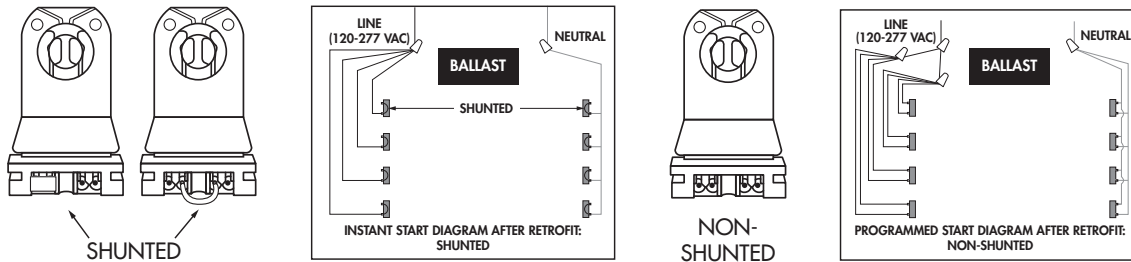
Enclosed..... Suitable for enclosed luminaires
 Rated Life..... L70 50,000+ hours
 Beam Angle 190°
 Field Angle 300°
 Listing..... ETL Classified, RoHS Compliant
 Warranty Five years against defects in manufacturing

Specifications:

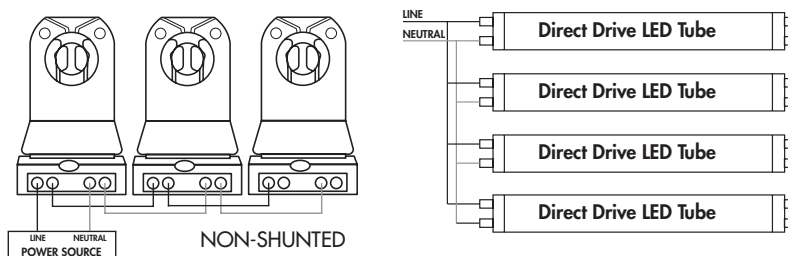


Wiring Diagrams:

Double Ended Wiring



Single Ended Wiring



Complete instructions tcp.com / Commercial lighting / Business Resource Center



LED T8 Type AB Tubes

LED Ballast Bypass Double Ended T8 Tubes

Item#	Description	DLC Model #	CRI	PF	Color Temp	Line Voltage Watts	Line Voltage Lumens	Line Voltage LPW	NBF System Watts	NBF System Lumens*	NBF System LPW	Base	Warranty Years	Master Pack
LED 12W T8 A + B - 4 FOOT GLASS														
LT815AB30K	LED T8 Type AB DE 30K	T80400330E	80	0.99	3000K	12W	1700	141.7	15W	1700	111.5	G13	5	25
LT815AB35K	LED T8 Type AB DE 35K	T80400335E	80	0.99	3500K	12W	1700	141.7	15W	1700	111.5	G13	5	25
LT815AB41K	LED T8 Type AB DE 41K	T80400341E	80	0.99	4100K	12W	1800	150.0	15W	1800	118.0	G13	5	25
LT815AB50K	LED T8 Type AB DE 50K	T80400350E	80	0.99	5000K	12W	1800	150.0	15W	1800	118.0	G13	5	25
LED 12 WATT T8 TUBE - 4 FOOT PET COATED GLASS NSF RATED														
LPT815AB30K	LED T8 Type AB DE 30K	T804003A30E	80	0.99	3000K	12	1700	141.7	15	1700	111.5	G13	5	25
LPT815AB35K	LED T8 Type AB DE 35K	T804003A35E	80	0.99	3500K	12	1700	141.7	15	1700	111.5	G13	5	25
LPT815AB41K	LED T8 Type AB DE 41K	T804003A41E	80	0.99	4100K	12	1800	150.0	15	1800	118.0	G13	5	25
LPT815AB50K	LED T8 Type AB DE 50K	T804003A50E	80	0.99	5000K	12	1800	150.0	15	1800	118.0	G13	5	25
LED 15W T8 TUBE - 4 FOOT PET COATED GLASS NSF RATED														
LPT818AB35K	LED T8 Type AB DE 35K	T804006A35E	80	0.99	3500K	15	2100	140.0	18	2200	116.7	G13	5	25
LPT818AB41K	LED T8 Type AB DE 41K	T804006A41E	80	0.99	4100K	15	2200	146.7	18	2200	122.2	G13	5	25
LPT818AB50K	LED T8 Type AB DE 50K	T804006A50E	80	0.99	5000K	15	2200	146.7	18	2200	122.2	G13	5	25

LED T8 Type AB Compatibility List

Brand	Item #	Start Method	Lamp Qty	Ballast Factor	Wiring Method	1 Lamp Fixture		2-3 lamp Fixture		4 Lamp Fixture		
						120v	277v	120v	277v	120v	277v	
Osram Sylvania	QHE 2X32T8/UNV ISN-SC	IS	2	N	0.88	Parallel	✓	✓	✓	✓	N/A	N/A
	QHE 1X32T8/UNV ISN-SC	IS	1	N	0.88	N/A	✓	✓	✓	✓	N/A	N/A
	QTP 2X32T8/UNV ISN-SC	IS	2	N	0.88	Parallel	N/A	✓	N/A	✓	N/A	N/A
	QT 2x32277 IS-SC	IS	2	N	0.88	Parallel	✓	✓	✓	✓	N/A	N/A
	QHE 2X32T8/UNV ISH HT-SC	IS	2	H	1.2	Parallel	✓	✓	✓	✓	N/A	N/A
	QTP 3X32T8/UNV ISN-SC	IS	3	N	0.88	Parallel	✓	✓	✓	✓	N/A	N/A
Philips-Advance	ICN-2P32-SC	IS	2	N	0.89	Parallel	✓	✓	✓	✓	N/A	N/A
	VEL-2P32-SC	IS	2	N	0.88	Parallel	N/A	✓	N/A	✓	N/A	N/A
	ICN-3P32-SC	IS	3	N	0.89	Parallel	✓	✓	✓	✓	N/A	N/A
	ICN-4P32-N	IS	4	N	0.89	Parallel	N/A	N/A	N/A	N/A	✓	✓
Universal Lighting	B3321UNVHPA	IS	3	N	0.88	Parallel	✓	✓	✓	✓	N/A	N/A
	B2321277RHA	IS	2	N	0.88	Parallel	N/A	✓	N/A	✓	N/A	N/A
General Electric	GE232MAX-GN	IS	2	N	0.88	Parallel	✓	✓	✓	✓	N/A	N/A
ESPEN	VE232MVIHPE	IS	2	H	1.19	Parallel	✓	✓	✓	✓	N/A	N/A
	VE2P32MVIHPE	IS	2	N	0.89	Parallel	✓	✓	✓	✓	N/A	N/A

Ballast compatibility tests are performed under a controlled lab environment. Field conditions may vary from this type of environment. Ballasts may differ by age and could have undergone revisions under the same item number affecting compatibility. Compatibility may also extend beyond this list. TCP recommends trying a few ballast-lamp combinations in an on-site test to ensure compatibility and performance before a major installation.

TECHNOLOGY CAST IN A BEAUTIFUL LIGHT

For over 20 years, TCP has been designing, developing and delivering energy-efficient lighting into the market. Thanks to our cutting-edge technology and manufacturing expertise, we have shipped billions of high quality lighting products. With TCP, you can count on a lighting product that is designed to meet the needs of the market - that transforms your surroundings and envelopes you in warmth - lighting that generates beauty with every flip of the switch.

Sales:

Date:

Model:

Project:

Rep:

Catalog Number:

Type:

Notes:



For more information on the quality and care TCP can deliver, call us at **800.324.1496** or visit tcp.com

325 Campus Dr. | Aurora, Ohio 44202 | P: 800.324.1496 | F: 877.487.0516