



BRADFORD WHITE[®]
W A T E R H E A T E R S

**COMMERCIAL ELECTRIC ENERGY SAVER
REPLACEMENT PARTS LIST
ASME Series**



Models Covered:
CEA(6,12,20,30,40,50,80,120)-kW-3
(6,12,20,30)A-kW-3

Includes Hydrojet[®] Total
Performance System

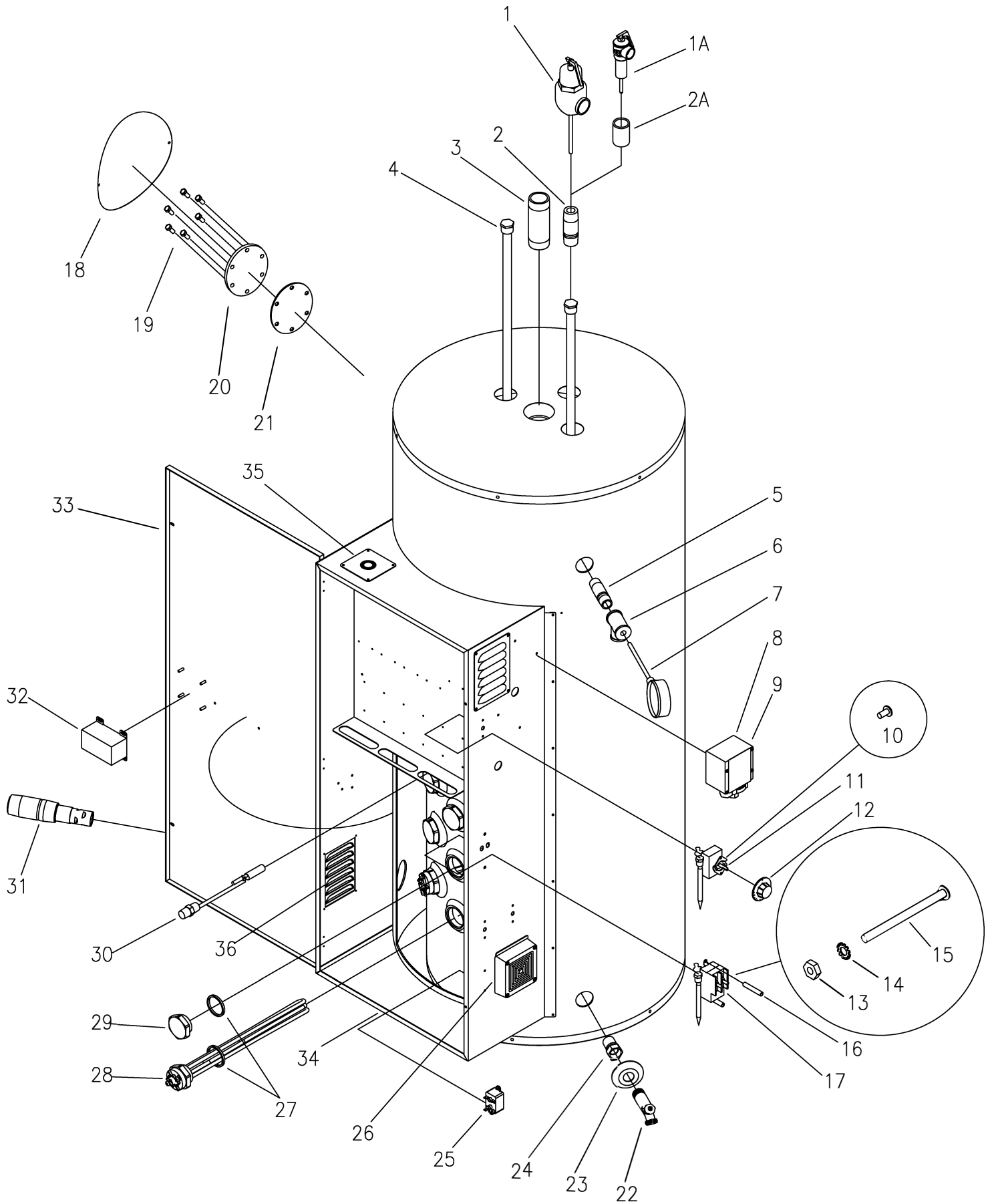
Effective: January, 2023
ECO 8248-3

**NOTE: BOTH MODEL AND SERIAL
NUMBERS ARE REQUIRED FOR
ORDERING REPLACEMENT PARTS**

Dimensions and specifications
subject to change without notice.

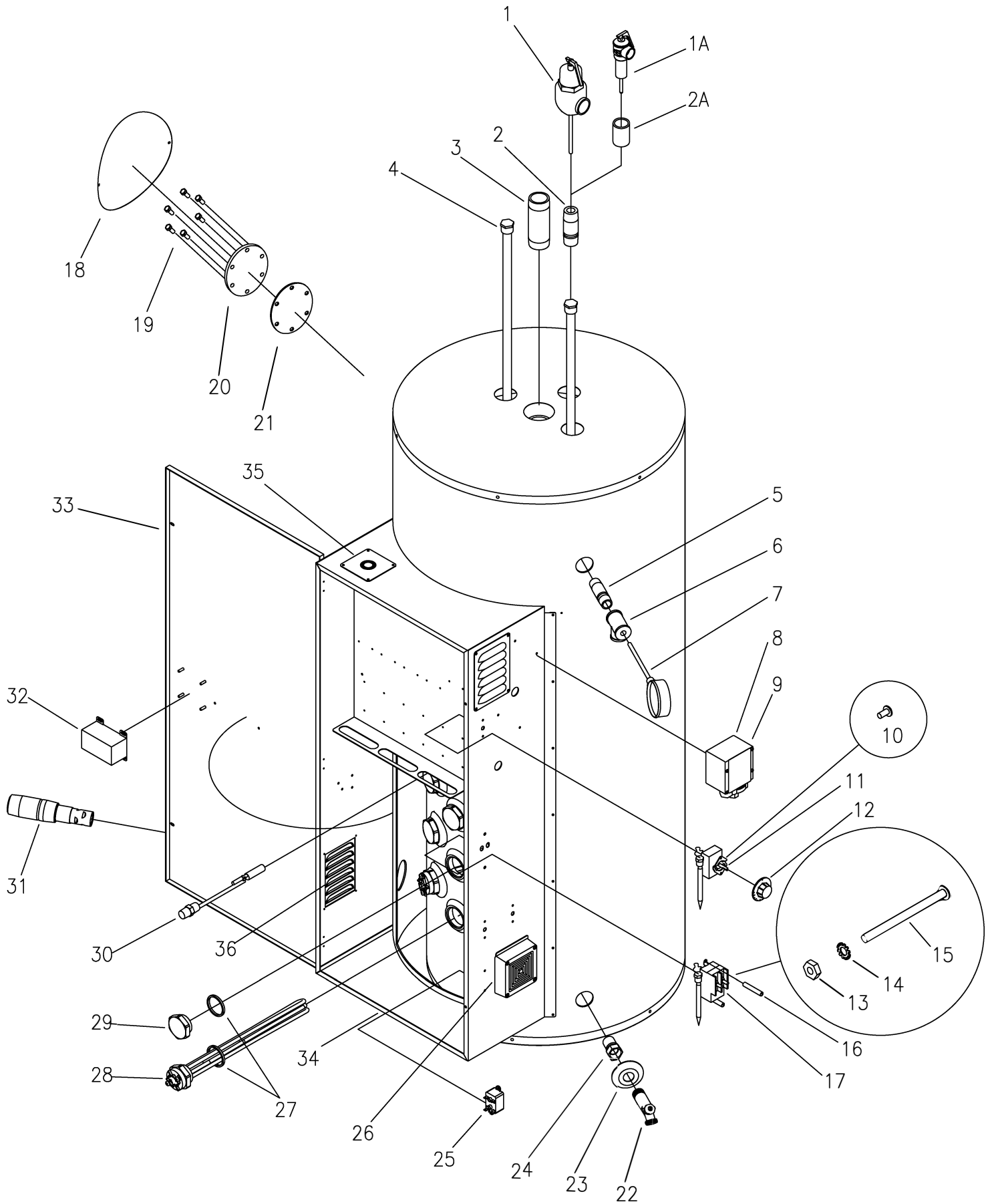
WARNING
CANCER AND REPRODUCTIVE HARM
WWW.P65WARNINGS.CA.GOV

As required by the state of California Proposition 65.

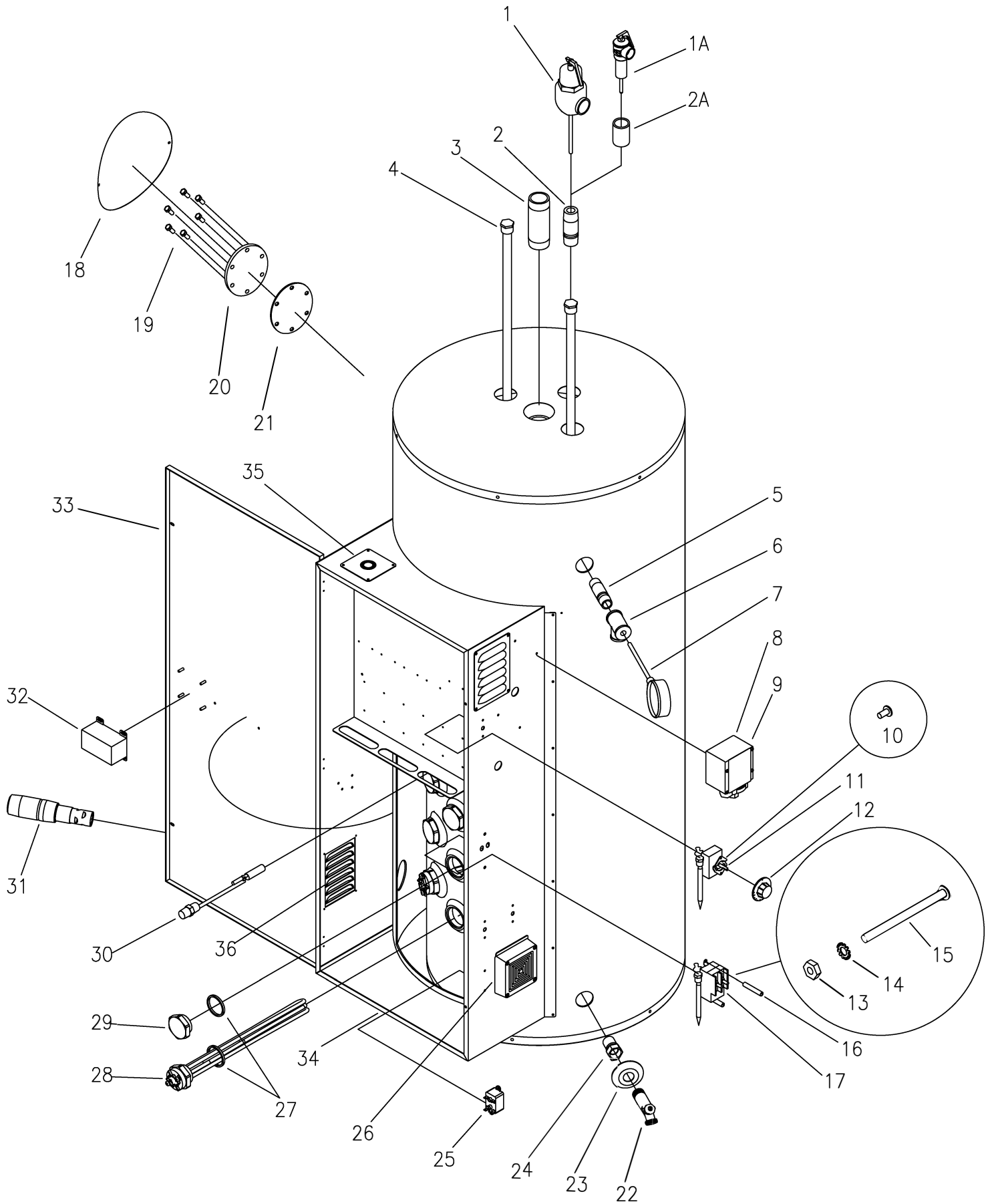


Item	Description	Model CEA6-kW-3	Model CEA12-kW-3	Model CEA20-kW-3	Model CEA30-kW-3
1	T&P Relief Valve (Female Threads)	---	---	---	230-30246-00 (3/4"NPT)
1A	T&P Relief Valve (Male Threads)	230-32920-04 (3/4"NPT)	230-32920-04 (3/4"NPT)	230-32920-04 (3/4"NPT)	---
2	Nipple-Plastisert	---	---	---	229-32762-03
2A	Coupling	239-46679-00	239-46679-00	239-46679-00	---
3	Hot Water Outlet Nipple-Plastisert	229-32762-03	229-32762-03	229-32762-03	229-32762-03
4	Magnesium Anode Rod	415-47782-01	415-47782-02	415-47782-02	224-47782-04
	Aluminum Anode Rod	415-38508-08	415-38508-02	415-38508-02	224-38508-04
	Aluminum Anode Rod (A420)#	415-49559-04	415-49559-04	415-49559-04	224-49559-04
5	Nipple-3/4 NPT X 1-3/8 Galvanized	239-81075-00	239-81075-00	239-81075-00	---
	Nipple-3/4 NPT X 3-1/2 Plastisert	---	---	---	---
6	Galvanized Tee-3/4 X 1/2 X 1/2 NPT	239-41925-00	239-41925-00	239-41925-00	239-41925-00
7	Combination T&P Gage (Optional)	264-41987-00	264-41987-00	264-41987-00	264-41987-00
8	Pressure Switch (High) (Optional)	264-42004-01	264-42004-01	264-42004-01	264-42004-01
9	Pressure Switch (Low) (Optional)	264-42004-02	264-42004-02	264-42004-02	264-42004-02
10	Screw-#6-32 X 1/4	264-81722-00 (Qty. 2)	264-81722-00 (Qty. 2)	264-81722-00 (Qty. 2)	264-81722-00 (Qty. 2)
11	Immersion Thermostat	264-33460-00	264-33460-00	264-33460-00	264-33460-00
12	Thermostat Dial	264-33459-00	264-33459-00	264-33459-00	264-33459-00
13	Hex Nut-#10-32	239-34049-00 (Qty. 2)	239-34049-00 (Qty. 2)	239-34049-00 (Qty. 2)	239-34049-00 (Qty. 2)
14	External Tooth Washer #10	239-81540-00 (Qty. 2)	239-81540-00 (Qty. 2)	239-81540-00 (Qty. 2)	239-81540-00 (Qty. 2)
15	Screw-#10-32 X 2 1/2	239-34048-00 (Qty. 2)	239-34048-00 (Qty. 2)	239-34048-00 (Qty. 2)	239-34048-00 (Qty. 2)
16	High Limit Spacer	264-34190-00 (Qty. 2)	264-34190-00 (Qty. 2)	264-34190-00 (Qty. 2)	264-34190-00 (Qty. 2)
17	High Limit Switch	264-33461-00	264-33461-00	264-33461-00	264-33461-00
18	Cleanout Cover (Jacket)	---	---	243-42497-00	243-42497-00
19	Cleanout Screw-5/16-18 X 3/4	---	---	239-32970-00 (Qty. 6)	239-32970-00 (Qty. 6)
20	Cleanout Cover (Tank)	---	---	205-32941-00	205-32941-00
21	Cleanout Gasket	---	---	205-32942-00	205-32942-00
22	Brass Drain Valve	415-42351-04	415-42351-04	415-42351-04	415-42351-04
23	Finished Flange-2 7/8 O.D.	---	---	---	---
24	Extender-3/4 X 2	---	---	---	---
25	Alarm Horn Relay (Optional)	264-42002-00	264-42002-00	264-42002-00	264-42002-00
26	Alarm Horn (Optional)	264-42001-00	264-42001-00	264-42001-00	264-42001-00
27	Heating Element Gasket	223-42016-00	223-42016-00	223-42016-00	223-42016-00
28	Heating Element	See Element Table	See Element Table	See Element Table	See Element Table
29	Heating Element Plug	223-42015-00	223-42015-00	223-42015-00	223-42015-00
30	Low Water Switch (Optional)	264-42000-00	264-42000-00	264-42000-00	264-42000-00
31	Cold Water Inlet Nipple	229-45268-00	229-45268-00	229-45268-00	229-45268-00
32	Electrical Door Lock (Optional)	264-42003-00	264-42003-00	264-42003-00	264-42003-00
33	Control Box Door	239-41944-00	239-41945-00	239-41946-00	239-41947-00
34	Control Box	239-42659-00	239-42660-00	239-42661-00	239-42663-00
35	Knockout Plate (Small)	239-41966-00	239-41966-00	239-41966-00	239-41966-00
	Knockout Plate (Large)	239-41967-00	239-41967-00	239-41967-00	239-41967-00
36	Louver Plate	239-41963-00	239-41963-00	239-41963-00	239-41963-00

A420 Anode may need to be cut to length

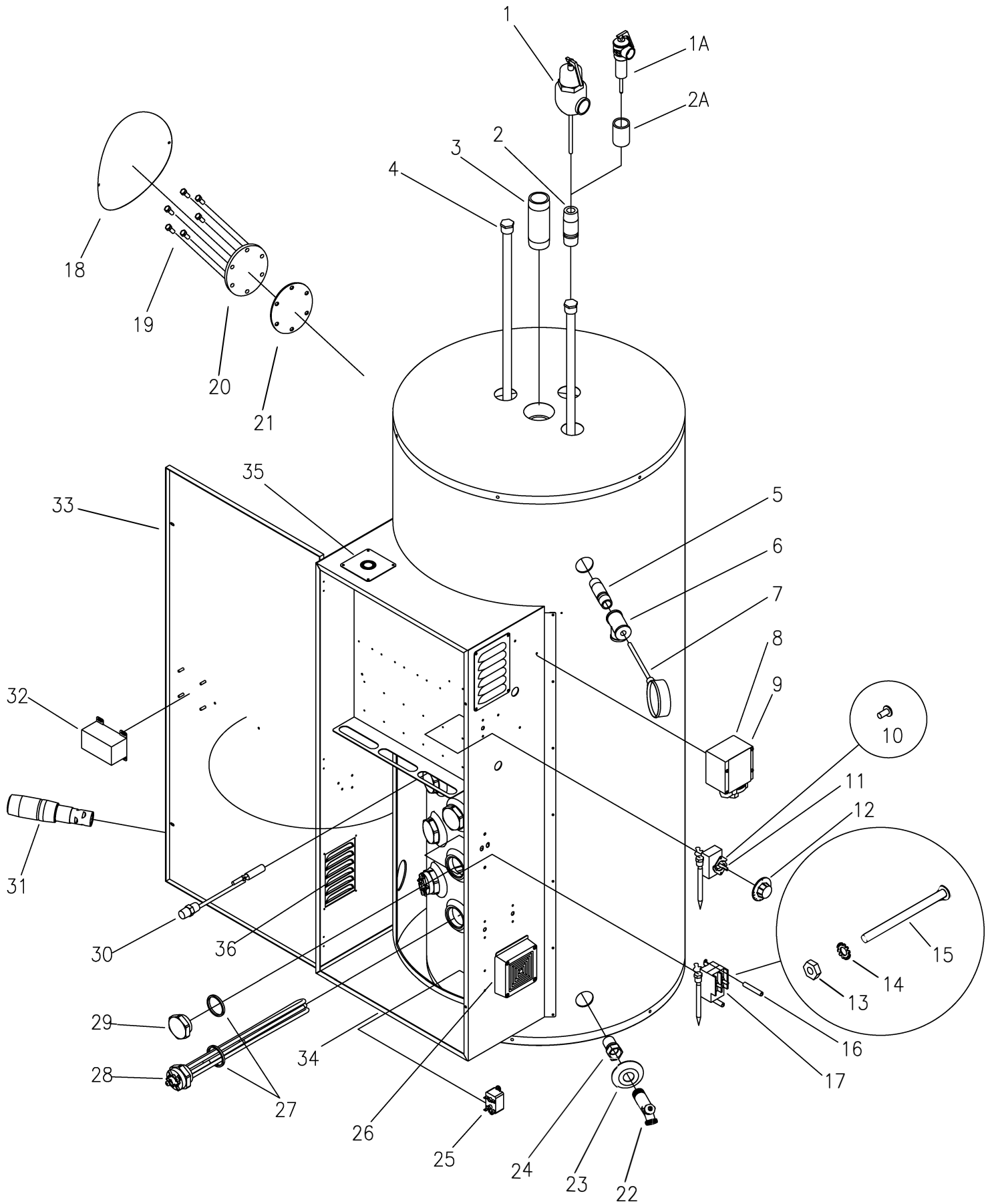


Item	Description	Model	Model	Model	Model
		CEA6-kW-3	CEA12-kW-3	CEA20-kW-3	CEA30-kW-3
37	Contactors 2 Pole (35A)	264-41986-01	264-41986-01	264-41986-01	264-41986-01
	Contactors 2 Pole (50A)	264-41986-02	264-41986-02	264-41986-02	264-41986-02
38	Contactors 3 Pole (35A)	264-41988-01	264-41988-01	264-41988-01	264-41988-01
	Contactors 3 Pole (50A)	264-41988-02	264-41988-02	264-41988-02	264-41988-02
39	Contactors 4 Pole (35A)	264-41989-01	264-41989-01	264-41989-01	264-41989-01
	Contactors 4 Pole (50A)	264-41989-02	264-41989-02	264-41989-02	264-41989-02
40	Screw-#8-18 X 1/2	239-32761-00	239-32761-00	239-32761-00	239-32761-00
41	Terminal Block (Block A)	264-32240-00	264-32240-00	264-32240-00	264-32240-00
42	Terminal Block End (Use for Block A)	264-32241-00	264-32241-00	264-32241-00	264-32241-00
43	Terminal Block (2 Pole)	264-32244-00	264-32244-00	264-32244-00	264-32244-00
44	Terminal Block (3 Pole)	264-32245-00	264-32245-00	264-32245-00	264-32245-00
45	Screw-#8-18 X 1 1/2	264-34197-00	264-34197-00	264-34197-00	264-34197-00
46	Fuse Block 2 Pole G Class (60A, 480V)	264-32263-00	264-32263-00	264-32263-00	264-32263-00
47	Fuse Block 3 Pole G Class (60A, 480V)	264-32264-00	264-32264-00	264-32264-00	264-32264-00
48	Fuse Block 2 Pole CC Class (3A, 600V)	264-53307-00	264-53307-00	264-53307-00	264-53307-00
49	Fuse Block 3 Pole T Class (60A, 600V)	264-41975-00	264-41975-00	264-41975-00	264-41975-00
	Fuse Block 3 Pole T Class (30A, 600V)	264-42568-00	264-42568-00	264-42568-00	264-42568-00
50	Terminal Strip (5 Post)	264-42006-00	264-42006-00	264-42006-00	264-42006-00
51	Terminal Strip (2 Post)	264-42007-00	264-42007-00	264-42007-00	264-42007-00
52	Fuse G Class (40A)	264-32267-00	264-32267-00	264-32267-00	264-32267-00
	Fuse G Class (50A)	264-32268-00	264-32268-00	264-32268-00	264-32268-00
	Fuse G Class (60A)	264-32269-00	264-32269-00	264-32269-00	264-32269-00
	Fuse T Class (30A)	264-41976-01	264-41976-01	264-41976-01	264-41976-01
53	Fuse T Class (40A)	264-41976-02	264-41976-02	264-41976-02	264-41976-02
	Fuse T Class (50A)	264-41976-03	264-41976-03	264-41976-03	264-41976-03
	Fuse CC Class (3A)	264-53306-00	264-53306-00	264-53306-00	264-53306-00
54	Ground Lug Large (Wire Range 8-1/0)	264-32250-00	264-32250-00	264-32250-00	264-32250-00
55	Ground Lug Small (Wire Range 14-8)	264-32251-00	264-32251-00	264-32251-00	264-32251-00
56	Screw-#10-32 X 1/2	239-33938-00	239-33938-00	239-33938-00	239-33938-00
57	Control Circuit Transformer 60va (208/240/480 VAC)	415-41994-01	415-41994-01	415-41994-01	415-41994-01
	Control Circuit Transformer 60va (277/380/415 VAC)	415-41994-02	415-41994-02	415-41994-02	415-41994-02
58	Control Circuit Transformer 60va (600 VAC)	415-41996-00	415-41996-00	415-41996-00	415-41996-00
59	Time Delay Sequencer	264-41997-00	264-41997-00	264-41997-00	264-41997-00



Item Description	Model 6A-kw-3	Model 12A-kw-3	Model 20A-kw-3	Model 30A-kw-3	Model CEA40-kw-3	Model CEA50-kw-3	Model CEA80-kw-3	Model CEA120-kw-3
1 T&P Relief Valve (Female Threads)	---	---	---	230-30246-00 (3/4"NPT)	230-30246-00 (3/4" NPT)	230-33630-04 (1" NPT)	230-33630-04 (1" NPT)	230-33630-04 (1" NPT)
1A T&P Relief Valve (Male Threads)	230-32920-04 (3/4"NPT)	230-32920-04 (3/4"NPT)	230-32920-04 (3/4"NPT)	---	---	---	---	---
2 Nipple-Plastisert	---	---	---	229-32762-03	229-32762-03	229-32762-21	229-32762-20	229-32762-21
2A Coupling	239-46679-00	239-46679-00	239-46679-00	---	---	---	---	---
3 Hot Water Outlet Nipple-Plastisert	229-32762-03	229-32762-03	229-32762-03	229-32762-03	229-32762-03	229-40913-06	229-40913-06	229-40913-06
4 Magnesium Anode Rod	224-32758-32	224-32758-32	224-32758-33	224-32758-34	415-47782-11	224-47782-11 (Qty. 2)	224-47782-11 (Qty. 2)	224-47782-11 (Qty. 2)
Aluminum Anode Rod	415-38508-08	415-38508-08	415-38508-02	415-38508-04	415-38508-03	224-38508-03 (Qty. 2)	224-38508-07 (Qty. 2)	224-38508-07 (Qty. 2)
Aluminum Anode Rod (A420)#	415-49559-04	415-49559-04	415-49559-04	415-49559-04	415-49559-04	415-49559-04	415-49559-04	415-49559-04
5 Nipple-3/4 NPT X 1-3/8 Galvanized	239-81075-00	239-81075-00	239-81075-00	---	---	---	---	---
Nipple-3/4 NPT X 3-1/2 Plastisert	---	---	---	---	---	229-32762-08	229-32762-08	229-32762-08
6 Galvanized Tee-3/4 X 1/2 X 1/2 NPT	239-41925-00	239-41925-00	239-41925-00	239-41925-00	239-41925-00	239-41925-00	239-41925-00	239-41925-00
7 Combination T&P Gage (Optional)	264-41987-00	264-41987-00	264-41987-00	264-41987-00	264-41987-00	264-41987-00	264-41987-00	264-41987-00
8 Pressure Switch (High) (Optional)	264-42004-01	264-42004-01	264-42004-01	264-42004-01	264-42004-01	264-42004-01	264-42004-01	264-42004-01
9 Pressure Switch (Low) (Optional)	264-42004-02	264-42004-02	264-42004-02	264-42004-02	264-42004-02	264-42004-02	264-42004-02	264-42004-02
10 Screw-#6-32 X 1/4	264-81722-00 (Qty. 2)	264-81722-00 (Qty. 2)	264-81722-00 (Qty. 2)	264-81722-00 (Qty. 2)	264-81722-00 (Qty. 2)	264-81722-00 (Qty. 2)	264-81722-00 (Qty. 2)	264-81722-00 (Qty. 2)
11 Immersion Thermostat	264-33460-00	264-33460-00	264-33460-00	264-33460-00	264-33460-00	264-33460-00	264-33460-00	264-33460-00
12 Thermostat Dial	264-33459-00	264-33459-00	264-33459-00	264-33459-00	264-33459-00	264-33459-00	264-33459-00	264-33459-00
13 Hex Nut-#10-32	239-34049-00 (Qty. 2)	239-34049-00 (Qty. 2)	239-34049-00 (Qty. 2)	239-34049-00 (Qty. 2)	239-34049-00 (Qty. 2)	239-34049-00 (Qty. 2)	239-34049-00 (Qty. 2)	239-34049-00 (Qty. 2)
14 External Tooth Washer #10	239-81540-00 (Qty. 2)	239-81540-00 (Qty. 2)	239-81540-00 (Qty. 2)	239-81540-00 (Qty. 2)	239-81540-00 (Qty. 2)	239-81540-00 (Qty. 2)	239-81540-00 (Qty. 2)	239-81540-00 (Qty. 2)
15 Screw-#10-32 X 2 1/2	239-34048-00 (Qty. 2)	239-34048-00 (Qty. 2)	239-34048-00 (Qty. 2)	239-34048-00 (Qty. 2)	239-34048-00 (Qty. 2)	239-34048-00 (Qty. 2)	239-34048-00 (Qty. 2)	239-34048-00 (Qty. 2)
16 High Limit Spacer	264-34190-00 (Qty. 2)	264-34190-00 (Qty. 2)	264-34190-00 (Qty. 2)	264-34190-00 (Qty. 2)	264-34190-00 (Qty. 2)	264-34190-00 (Qty. 2)	264-34190-00 (Qty. 2)	264-34190-00 (Qty. 2)
17 High Limit Switch	264-33461-00	264-33461-00	264-33461-00	264-33461-00	264-33461-00	264-33461-00	264-33461-00	264-33461-00
18 Cleanout Cover (Jacket)	---	---	243-42497-00	243-42497-00	243-42497-00	243-20299-00	243-20299-00	243-20299-00
19 Cleanout Screw-5/16-18 X 3/4	---	---	239-32970-00 (Qty. 6)	239-32970-00 (Qty. 6)	239-32970-00 (Qty. 6)	239-32970-00 (Qty. 6)	239-32970-00 (Qty. 6)	239-32970-00 (Qty. 6)
20 Cleanout Cover (Tank)	---	---	205-32941-00	205-32941-00	205-32941-00	205-32941-00	205-32941-00	205-32941-00
21 Cleanout Gasket	---	---	205-32942-00	205-32942-00	205-32942-00	205-32942-00	205-32942-00	205-32942-00
22 Brass Drain Valve	415-42351-04	415-42351-04	415-42351-04	415-42351-04	415-42351-04	415-42351-04	415-42351-04	415-42351-04
23 Finished Flange-2 7/8 O.D.	---	---	---	---	---	239-41414-00	239-41414-00	239-41414-00
24 Extender-3/4 X 2	---	---	---	---	---	229-19100-00	229-19100-00	229-19100-00
25 Alarm Horn Relay (Optional)	264-42002-00	264-42002-00	264-42002-00	264-42002-00	264-42002-00	264-42002-00	264-42002-00	264-42002-00
26 Alarm Horn (Optional)	264-42001-00	264-42001-00	264-42001-00	264-42001-00	264-42001-00	264-42001-00	264-42001-00	264-42001-00
27 Heating Element Gasket	223-42016-00	223-42016-00	223-42016-00	223-42016-00	223-42016-00	223-42016-00	223-42016-00	223-42016-00
28 Heating Element	See Element Table	See Element Table	See Element Table	See Element Table	See Element Table	See Element Table	See Element Table	See Element Table
29 Heating Element Plug	223-42015-00	223-42015-00	223-42015-00	223-42015-00	223-42015-00	223-42015-00	223-42015-00	223-42015-00
30 Low Water Switch (Optional)	264-42000-00	264-42000-00	264-42000-00	264-42000-00	264-42000-00	264-42000-00	264-42000-00	264-42000-00
31 Cold Water Inlet Nipple	229-45268-00	229-45268-00	229-45268-00	229-45268-00	229-45268-00	415-44731-00	415-44731-00	415-44731-00
32 Electrical Door Lock (Optional)	264-42003-00	264-42003-00	264-42003-00	264-42003-00	264-42003-00	264-42003-00	264-42003-00	264-42003-00
33 Control Box Door	239-41944-00	239-41945-00	239-41946-00	239-41947-00	239-41947-00	239-42105-00	239-42105-00	239-42105-00
34 Control Box	239-42659-00	239-42660-00	239-42661-00	239-42663-00	239-42663-00	239-42106-00	239-42107-00	239-42108-00
35 Knockout Plate (Small)	239-41966-00-01	239-41966-00-01	239-41966-00-01	239-41966-00-01	239-41966-00	239-41966-00	239-41966-00	239-41966-00
Knockout Plate (Large)	239-41967-00-01	239-41967-00-01	239-41967-00-01	239-41967-00-01	239-41967-00	239-41967-00	239-41967-00	239-41967-00
36 Louver Plate	239-41963-00-01	239-41963-00-01	239-41963-00-01	239-41963-00-01	239-41963-00	239-41963-00	239-41963-00	239-41963-00

A420 Anode may need to be cut to length



Item	Description	Model 6A-kw-3	Model 12A-kw-3	Model 20A-kw-3	Model 30A-kw-3	Model CEA40-kw-3	Model CEA50-kw-3	Model CEA80-kw-3	Model CEA120-kw-3
37	Contact 2 Pole (35A)	264-41986-01	264-41986-01	264-41986-01	264-41986-01	264-41986-01	264-41986-01	264-41986-01	264-41986-01
	Contact 2 Pole (50A)	264-41986-02	264-41986-02	264-41986-02	264-41986-02	264-41986-02	264-41986-02	264-41986-02	264-41986-02
38	Contact 3 Pole (35A)	264-41988-01	264-41988-01	264-41988-01	264-41988-01	264-41988-01	264-41988-01	264-41988-01	264-41988-01
	Contact 3 Pole (50A)	264-41988-02	264-41988-02	264-41988-02	264-41988-02	264-41988-02	264-41988-02	264-41988-02	264-41988-02
39	Contact 4 Pole (35A)	264-41989-01	264-41989-01	264-41989-01	264-41989-01	264-41989-01	264-41989-01	264-41989-01	264-41989-01
	Contact 4 Pole (50A)	264-41989-02	264-41989-02	264-41989-02	264-41989-02	264-41989-02	264-41989-02	264-41989-02	264-41989-02
40	Screw #8-18 X 1/2	239-32761-00	239-32761-00	239-32761-00	239-32761-00	239-32761-00	239-32761-00	239-32761-00	239-32761-00
41	Terminal Block (Block A)	264-32240-00	264-32240-00	264-32240-00	264-32240-00	264-32240-00	264-32240-00	264-32240-00	264-32240-00
42	Terminal Block End (Use for Block A)	264-32241-00	264-32241-00	264-32241-00	264-32241-00	264-32241-00	264-32241-00	264-32241-00	264-32241-00
43	Terminal Block (2 Pole)	264-32244-00	264-32244-00	264-32244-00	264-32244-00	264-32244-00	264-32244-00	264-32244-00	264-32244-00
44	Terminal Block (3 Pole)	264-32245-00	264-32245-00	264-32245-00	264-32245-00	264-32245-00	264-32245-00	264-32245-00	264-32245-00
45	Screw #8-18 X 1 1/2	264-34197-00	264-34197-00	264-34197-00	264-34197-00	264-34197-00	264-34197-00	264-34197-00	264-34197-00
46	Fuse Block 2 Pole G Class (60A, 480V)	264-32263-00	264-32263-00	264-32263-00	264-32263-00	264-32263-00	264-32263-00	264-32263-00	264-32263-00
47	Fuse Block 3 Pole G Class (60A, 480V)	264-32264-00	264-32264-00	264-32264-00	264-32264-00	264-32264-00	264-32264-00	264-32264-00	264-32264-00
48	Fuse Block 2 Pole CC Class (3A, 600V)	264-53307-00	264-53307-00	264-53307-00	264-53307-00	264-53307-00	264-53307-00	264-53307-00	264-53307-00
49	Fuse Block 3 Pole T Class (60A, 600V)	264-41975-00	264-41975-00	264-41975-00	264-41975-00	264-41975-00	264-41975-00	264-41975-00	264-41975-00
	Fuse Block 3 Pole T Class (30A, 600V)	264-42568-00	264-42568-00	264-42568-00	264-42568-00	264-42568-00	264-42568-00	264-42568-00	264-42568-00
50	Terminal Strip (5 Post)	264-42006-00	264-42006-00	264-42006-00	264-42006-00	264-42006-00	264-42006-00	264-42006-00	264-42006-00
51	Terminal Strip (2 Post)	264-42007-00	264-42007-00	264-42007-00	264-42007-00	264-42007-00	264-42007-00	264-42007-00	264-42007-00
52	Fuse G Class (40A)	264-32267-00	264-32267-00	264-32267-00	264-32267-00	264-32267-00	264-32267-00	264-32267-00	264-32267-00
	Fuse G Class (50A)	264-32268-00	264-32268-00	264-32268-00	264-32268-00	264-32268-00	264-32268-00	264-32268-00	264-32268-00
	Fuse G Class (60A)	264-32269-00	264-32269-00	264-32269-00	264-32269-00	264-32269-00	264-32269-00	264-32269-00	264-32269-00
53	Fuse T Class (30A)	264-41976-01	264-41976-01	264-41976-01	264-41976-01	264-41976-01	264-41976-01	264-41976-01	264-41976-01
	Fuse T Class (40A)	264-41976-02	264-41976-02	264-41976-02	264-41976-02	264-41976-02	264-41976-02	264-41976-02	264-41976-02
	Fuse T Class (50A)	264-41976-03	264-41976-03	264-41976-03	264-41976-03	264-41976-03	264-41976-03	264-41976-03	264-41976-03
54	Fuse CC Class (3A)	264-53306-00	264-53306-00	264-53306-00	264-53306-00	264-53306-00	264-53306-00	264-53306-00	264-53306-00
55	Ground Lug Large (Wire Range 8-1/0)	264-32250-00	264-32250-00	264-32250-00	264-32250-00	264-32250-00	264-32250-00	264-32250-00	264-32250-00
56	Ground Lug Small (Wire Range 14-8)	264-32251-00	264-32251-00	264-32251-00	264-32251-00	264-32251-00	264-32251-00	264-32251-00	264-32251-00
57	Screw #10-32 X 1/2	239-33938-00	239-33938-00	239-33938-00	239-33938-00	239-33938-00	239-33938-00	239-33938-00	239-33938-00
58	Control Circuit Transformer 60va (208/240/480 VAC)	415-41994-01	415-41994-01	415-41994-01	415-41994-01	415-41994-01	415-41994-01	415-41994-01	415-41994-01
	Control Circuit Transformer 60va (277/380/415 VAC)	415-41994-02	415-41994-02	415-41994-02	415-41994-02	415-41994-02	415-41994-02	415-41994-02	415-41994-02
59	Control Circuit Transformer 60va (600 VAC)	415-41996-00	415-41996-00	415-41996-00	415-41996-00	415-41996-00	415-41996-00	415-41996-00	415-41996-00
60	Time Delay Sequencer	264-41997-00	264-41997-00	264-41997-00	264-41997-00	264-41997-00	264-41997-00	264-41997-00	264-41997-00

Heating Elements (Incoloy) for:
CEA ASME Series

Wattage	208 Volt	240 Volt	277 Volt	380Volt
1000W ▲	---	---	---	---
2000W ▲	220-41985-01	220-41985-08	220-41985-15	220-41985-43
3000W ▲ ▲	220-41985-02	220-41985-09	220-41985-16	220-41985-44
4000W*	220-41985-03	220-41985-10	220-41985-17	220-41985-45
4500W*	220-41985-13	220-41985-11	220-41985-18	220-41985-46
5000W*	220-41985-05	220-41985-12	220-41985-19	220-41985-47
6000W*	220-41985-06	220-41985-13	220-41985-20	220-41985-57
9000W**	220-41985-51	220-41985-52	220-41985-53	220-41985-50

Wattage	400 Volt	415 Volt	480 Volt	600 Volt
1000W ▲	220-41985-58	---	---	---
2000W ▲	220-41985-59	220-41985-22	220-41985-29	220-41985-36
3000W ▲ ▲	220-41985-60	220-41985-23	220-41985-30	220-41985-37
4000W*	220-41985-61	220-41985-24	220-41985-31	220-41985-38
4500W*	220-41985-62	220-41985-25	220-41985-32	220-41985-39
5000W*	220-41985-63	220-41985-26	220-41985-33	220-41985-40
6000W*	220-41985-64	220-41985-27	220-41985-34	220-41985-41
9000W**	220-41985-65	220-41985-54	220-41985-55	220-41985-56

- ▲ For 12" diameter tanks and above.
- ▲▲ For 14" diameter tanks and above.
- * For 16" diameter tanks and above.
- ** For 18" diameter tanks and above.



United States

Sales 800-523-2931

Technical Support 800-334-3393

Email techserv@bradfordwhite.com

Warranty 800-531-2111

Email warranty@bradfordwhite.com

Service Parts 800-538-2020

Email parts@bradfordwhite.com

Canada

Sales & Technical Support 866-690-0961 905-203-0600

Fax 905-636-0666

Warranty bwccwarranty@bradfordwhite.com

Technical Support bwccotech@bradfordwhite.com

Service Parts orders@bradfordwhitecanada.com

Orders ca.orders@bradfordwhite.com

For U.S. and Canada field service,
contact your professional installer or
local Bradford White sales representative.

International

General Contact international@bradfordwhite.com