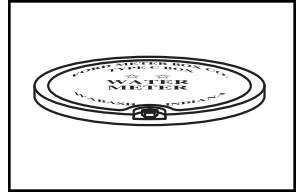
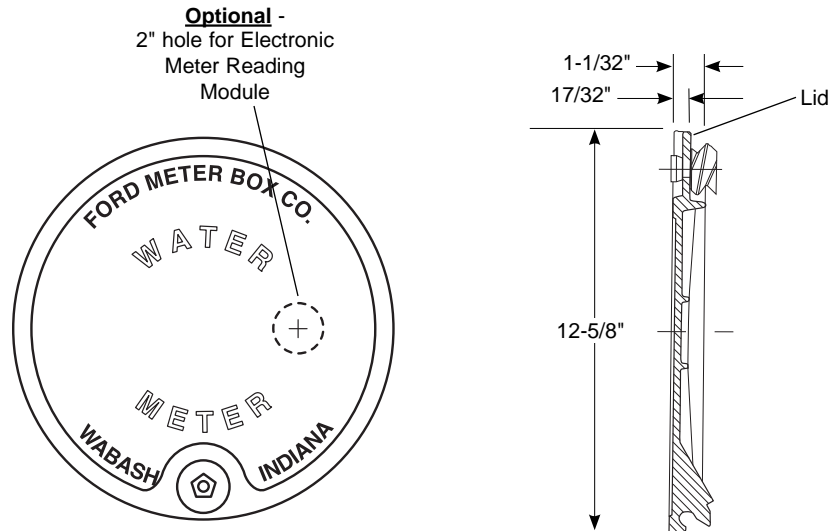


SUBMITTAL INFORMATION

Iron Lid for Iron Frame - (C3L style)



11-1/2" OVERLAPPING LID



*LID SIZE	APPROX. WT. LBS.	DESCRIPTION	CATALOG NUMBER	✓ SUBMITTED ITEM(S)
11-1/2"	10.2	Locking Overlapping Lid	C3L	
		Single hole for Meter Reading Module	C3L-T	
		Two holes for Meter Reading Modules	C3L-TT	

* Lid size indicates approximate pit access opening; actual lid diameter is approximately 1" larger.

FEATURES

- Available with precast holes for electronic meter reading modules. Add to catalog number: "-T" for single hole, "-TT" for double hole.
- Standard pentagon bolt furnished with locking lids. Larger size is available. Add "-LB" to catalog number.
- Lid is cast iron per ASTM A48, Class 25.
- Finish is black e-coating.

The Ford Meter Box Company considers the information in this submittal form to be correct at the time of publication. Item and option availability, including specifications, are subject to change without notice. Please verify that your product information is current.



The Ford Meter Box Company, Inc.

P.O. Box 443, Wabash, Indiana U.S.A. 46992-0443

Phone: 260-563-3171 / Fax: 800-826-3487

Overseas Fax: 260-563-0167

<http://www.fordmeterbox.com>

04/08/13

Submitted By: