

**Features**

- Dimmable LED lighting
- Vitality cabinet can be paired with all M Series mirrored and decorative glass side kits
- Mirrored interior with 4 adjustable glass shelves
- Includes installation hardware for recess mounting
- Can be recessed or surface mounted (surface mounting kit required)
- Provides one 15A, 120VAC outlet
- Compatible with most Triac/Phase-cut dimmers
- Accessory track (Accessory Trays sold separately)
- Energy efficient LED's with an estimated life of 53,000 hours:

Kelvin	3000
CRI	90+
R9 Value	50+

**Construction**

- Satin anodized aluminum body and door frame
- 3 mirror design - rear of cabinet and both sides of door
- Quality polished edge mirror
- Concealed finger pull-door edge
- Blum 170° self-closing hinges
- Safeseal® Gasket with sealed corners on cabinet body
- Adjustable shelving at 2" (51 mm) increments
- Field wire into electrical shelf - Front access serviceability  
Two circuits required: one for outlet power and one for the light operation

**Codes/Standards Applicable**

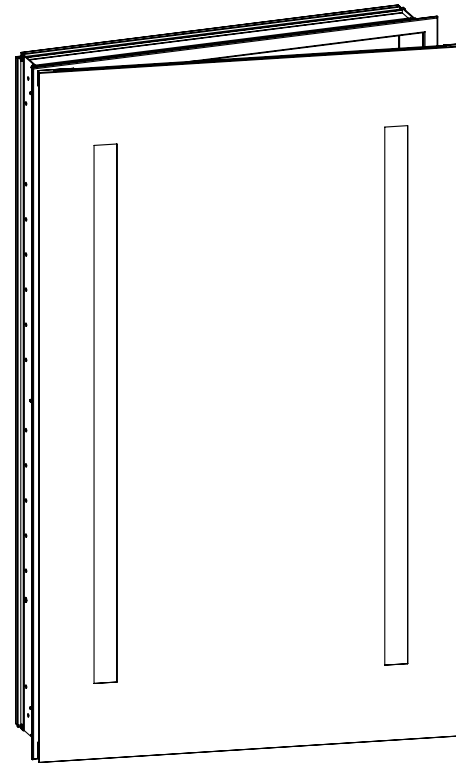
- Electric Option Models are ETL certified to:
- UL 962
  - CSA Standard C22.2 No. 68

**Dimensions**

Height: 39-3/8" (1000 mm)  
 Width: 23-1/4" (591 mm)  
 Depth: 4-5/8" (117 mm) When surface mounted  
 7/8" (22 mm) When recessed

**Options**

- Left or Right hand hinged
- Other heights available



**Model Number Key**

Vitality Series	Cabinet	Width	Height	Depth	Door Style	Hinge Side	Options
Y	C	24	40	D4	P1 = Polished Edge, Electric	L = Left R = Right	3 = 3000 Kelvin

## Installation Options

**Recessed Mount** - Rough Opening - 38-5/8" H x 22-1/2" W x 4" D (981 mm H x 572 mm W x 102 mm D)

**Surface Mount** - Reference Surface Mount Kit when ordering  
 MSMK40D4P - Mirror Kit  
 MSMK40D4##\* - Decorative Glass Kit

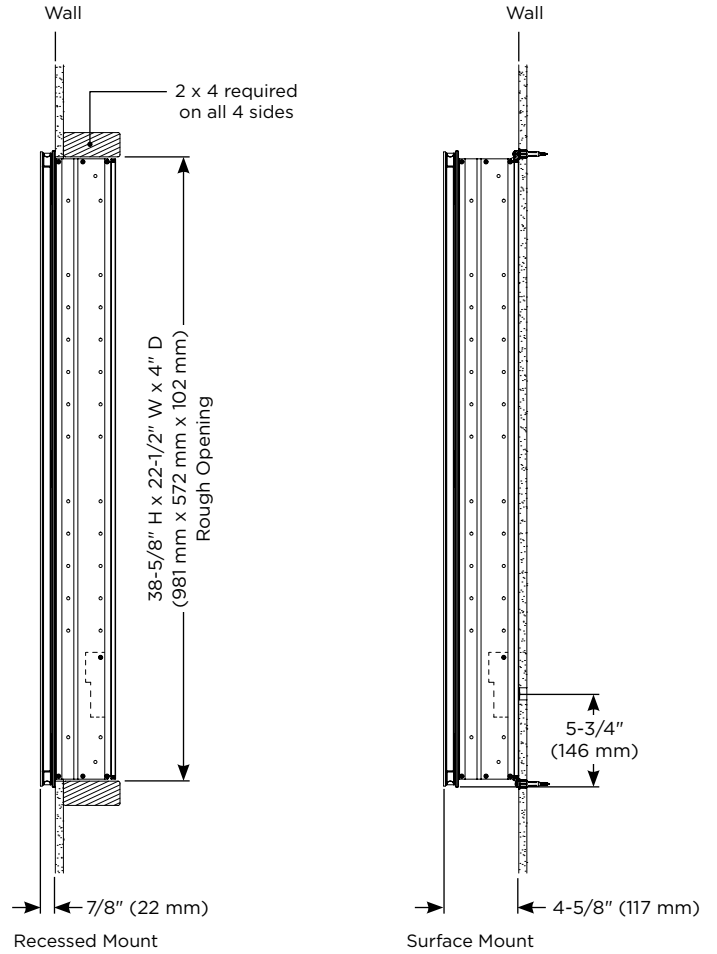
\*## - See Robern Price Book for a list of available finish options

## Electrical System

- Requires 120 VAC 60HZ 20A GFCI circuit for outlet power
- Field wire location as shown in drawing
- Two 1/2" conduit (Ø 7/8" actual) electrical knockout location shown below
- Included field wire cable clamp

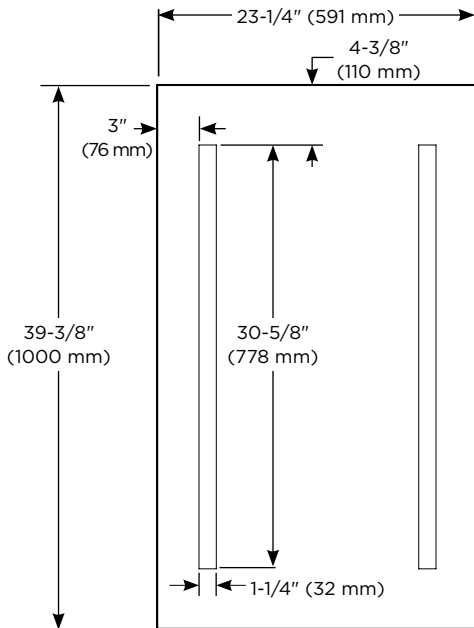
## Optional Accessories

- Assorted glass bins:
  - Small (GLASSBIN3.25)
  - Medium (GLASSBIN5.25)
  - Large (GLASSBIN8.5)
- Razor/Phone Holder (MA-TRAY2.5)
- 3" and 5" Accessory Tray (MA-TRAY3, MA-TRAY5)
- Handle Kits (MHANDLEKIT)
- Pull-out Magnifying Mirror (POMM)
- Push-to-open Kit (MPUSHKIT)
- Safety Lock Box (SLB24D4)
- Swing out Magnifying Mirror (SOMM)
- Ganging Kit (MGKIT)

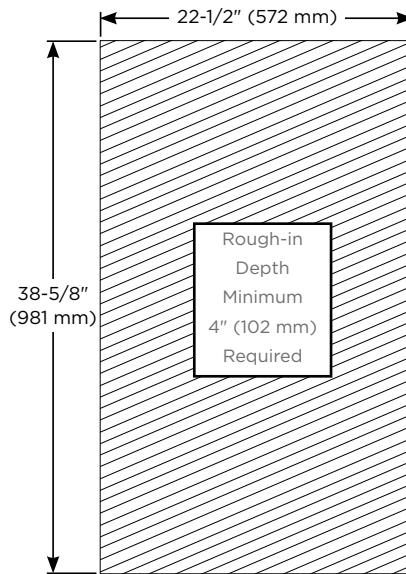


Recessed Mount

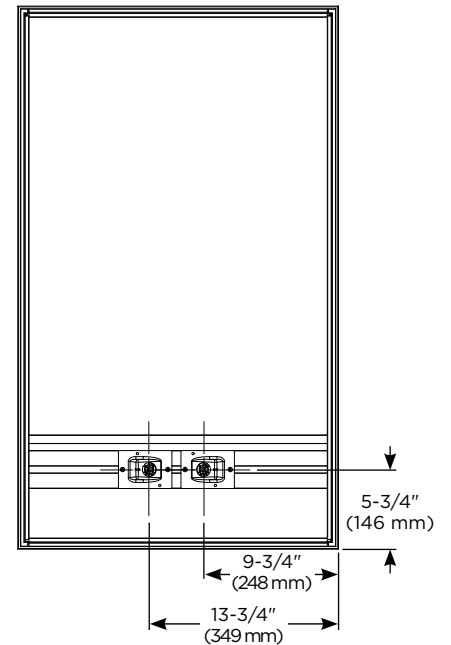
Surface Mount



Cabinet Dimensions



Rough-in Dimensions



Back of Cabinet - Wire Access Locations