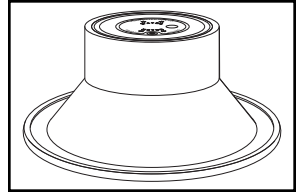
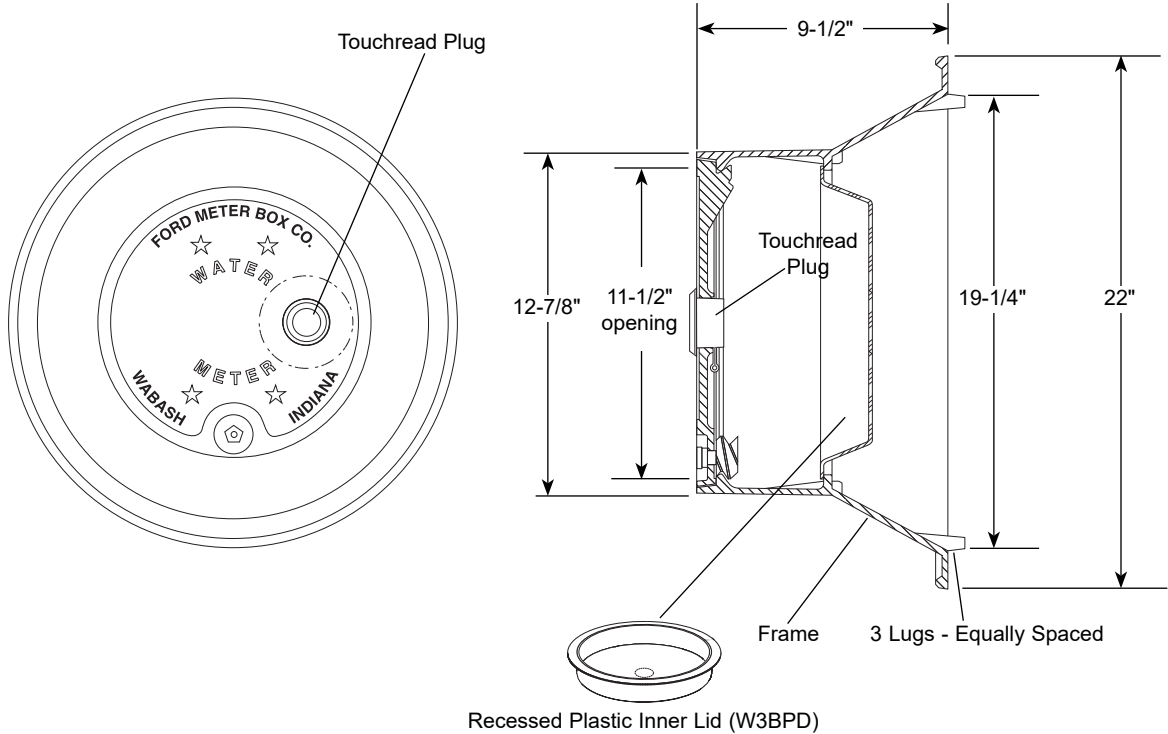


SUBMITTAL INFORMATION

Meter Box Covers - (W3-TP style)



11-1/2" WABASH DOUBLE INSET LID FOR 20" TILE



*LID SIZE	TILE I.D.	APPROX. WT. LBS.	DESCRIPTION	CATALOG NUMBER	✓ SUBMITTED ITEM(S)
11-1/2"	20"	55	Cover with Touchread Plug	W3-TP	

*Lid size indicates approximate pit access opening; actual lid diameter is approximately 1" larger
 Recessed Plastic Inner Lid (W3BPD) is standard on lids with EMR holes

FEATURES

- Precast hole and plug for electronic meter reading modules
- Standard Pentagon Bolt furnished with locking lids
 Larger bolt is available; add "-LB" to catalog number; for non-locking lid, add "-LL"
- Frame and lid are cast iron per ASTM A48, Class 25
- Plastic recessed inner lid is standard on lids with EMR holes
- Finish is black e-coating

The Ford Meter Box Company considers the information in this submittal form to be correct at the time of publication. Item and option availability, including specifications, are subject to change without notice. Please verify that your product information is current.



The Ford Meter Box Company, Inc.

P.O. Box 443, Wabash, Indiana U.S.A. 46992-0443

Phone: 260-563-3171 / Fax: 800-826-3487

Overseas Fax: 260-563-0167

www.fordmeterbox.com

01/24/19

Submitted By: