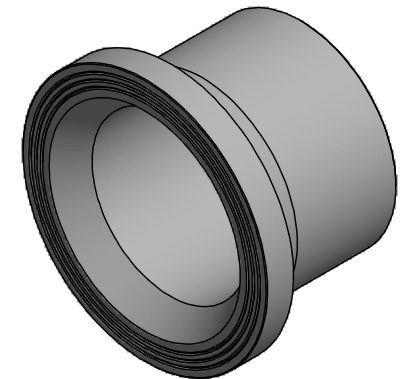


CODE	ND	S	D	D1	L1	L2	L	B	α
27NCRT3211	1" => 32 mm	0.13	2.48	1.61	1.72	0.41	3.07	1.26	55°
27NCRT4011	1" 1/4 => 40 mm	0.15	2.83	1.93	2.48	0.43	3.77	1.57	55°
27NCRT5011	1" 1/2 => 50 mm	0.18	3.23	2.35	2.56	0.47	3.81	1.97	55°
27NCRT6311	2" => 63 mm	0.23	3.96	2.95	2.74	0.66	4.48	2.47	70°
27NCRT7511	2" 1/2 => 75 mm	0.27	4.69	3.50	3.03	0.67	4.65	2.83	79°
27NCRT9011	3" => 90 mm	0.32	5.22	4.13	3.70	0.71	5.12	3.46	70°
27NCRT11011	3" 1/2 => 110 mm	0.39	6.30	4.92	3.66	0.75	5.24	4.29	67.5°
27NCRT12511	4" => 125 mm	0.45	6.30	5.20	3.82	0.79	5.61	4.41	78°
27NCRT12511A5	4" => 125 mm	0.45	7.60	5.47	4.33	1.02	6.57	5.51	65°
27NCRT16011	6" => 160 mm	0.58	8.41	6.81	4.07	0.96	6.30	5.81	76.5°
27NCRT20011	8" => 200 mm	0.72	10.55	9.06	4.53	1.13	7.39	8.17	65°
27NCRT25011	10" => 250 mm	0.9	12.52	10.75	5.20	1.32	8.19	10.20	65°
27NCRT31511	12" => 315 mm	1.13	14.57	12.72	5.35	1.77	8.07	12.20	67.5°



NIRON



ITEM:
NCRT_11

C:\Vault_Temp\Disegni\Schede Tecniche\Niron Grey inches\Butt Fusion Fittings\NI10213.dwg

DESC: STUB FLANGE - LONG SPIGOT
SDR 11

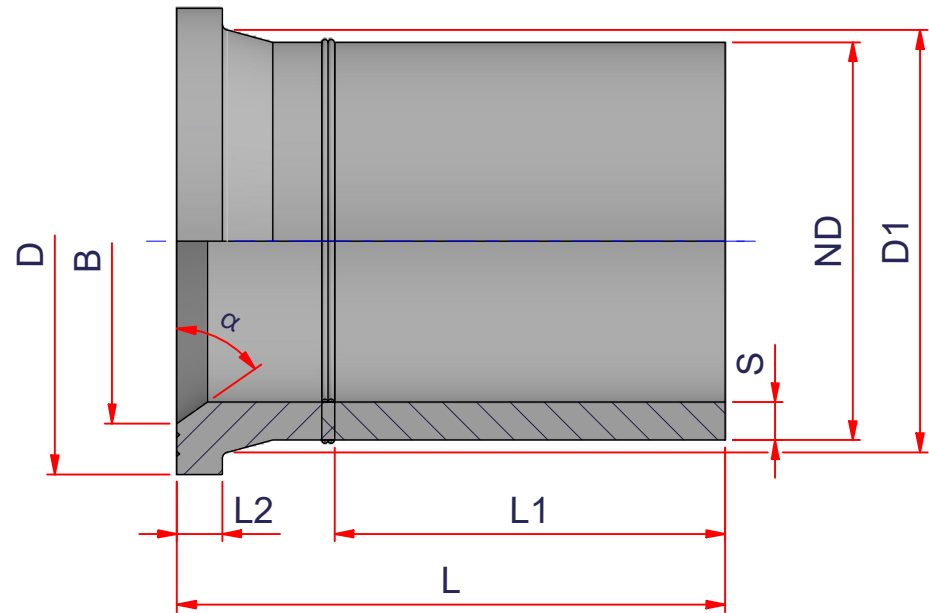


DRAWING No:
NI10213

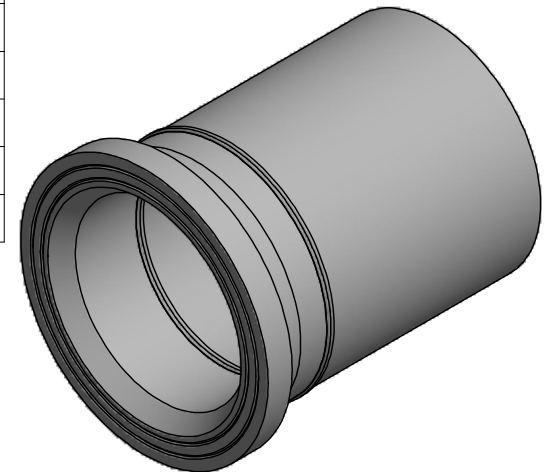
SHEET OF	REV.
1 3	-17

www.nupiamericas.com - info@nupiamericas.com

All dimensions have to be considered in inches with 5% tolerance if not otherwise mentioned excluding values as per standard ASTM F2389



CODE	ND	S	D	D1	L1	L2	L	B	α
27NCRT35511MB	14" => 355 mm	1.27	16.93	13.98	12.59	1.52	18.5	13.31	67.5°
27NCRT40011MB	16" => 400 mm	1.43	18.98	16.02	12.59	1.73	18.69	14.88	55°
27NCRT45011MB	18" => 450 mm	1.61	21.42	18.06	13.39	2.3	19.89	17.56	55°
27NCRT50011MB	20" => 500 mm	1.79	23.03	20.02	14.96	2.3	21.85	19	67.5°
27NCRT63011MB	24" => 630 mm	2.25	26.97	25.18	17.32	2.3	24.21	23.03	50°



NIRON



ITEM:
NCRT_11MB

C:\Vault_Temp\Disegn\ISchede Tecniche\Niron Grey inches\Butt Fusion Fittings\NI10213.dwg

DESC: STUB FLANGE - LONG SPIGOT SDR11

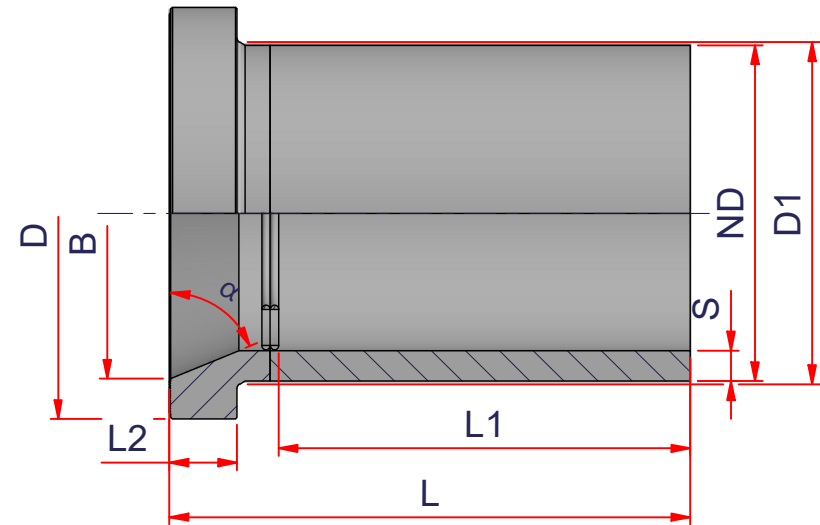


DRAWING No:
NI10213

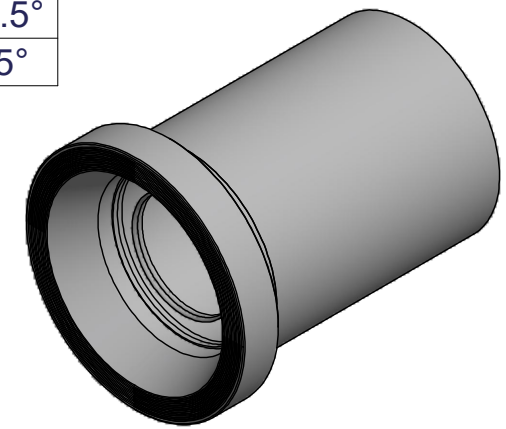
SHEET OF	REV.
2 3	-17

www.nupiamericas.com - info@nupiamericas.com

All dimensions have to be considered in inches with 5% tolerance if not otherwise mentioned excluding values as per standard ASTM F2389



CODE	ND	S	D	D1	L1	L2	L	B	α
27NCRT40011MBV	16" => 400 mm	1.43	19.29	15.75	12.59	3.17	17.32	15.51	67.5°
27NCRT45011MBV	18" => 450 mm	1.61	21.42	17.72	13.39	3.17	18.11	17.56	65°



ITEM:
NCRT_11MB

C:\Vault_Temp\Disegni\Schede Tecniche\Niron Grey inches\Butt Fusion Fittings\NI10213.dwg

DESC: STUBE FLANGE - LONG SPIGOT
SDR11



DRAWING No:
NI10213

SHEET OF	REV.
3 3	-17

www.nupiamericas.com - info@nupiamericas.com

All dimensions have to be considered in inches with 5% tolerance if not otherwise mentioned excluding values as per standard ASTM F2389