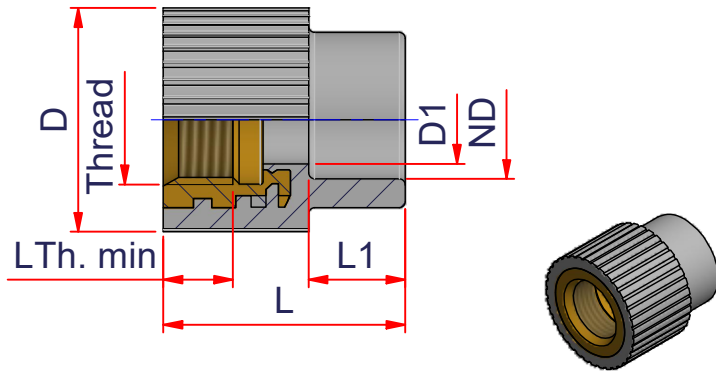
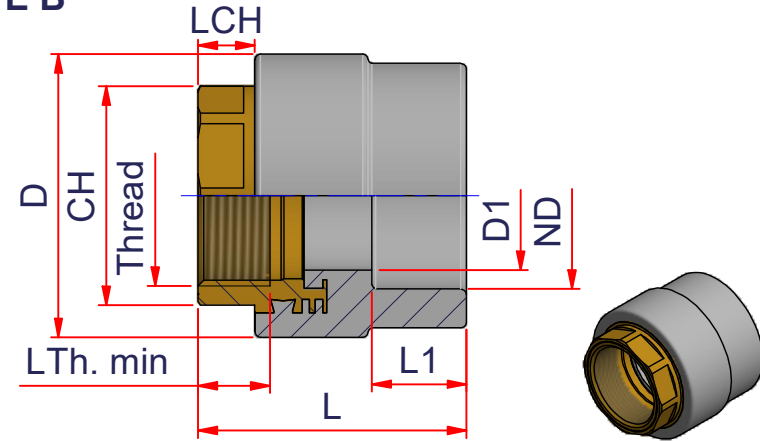


### TYPE A



### TYPE B



CODE	ND	Thread	L Thread min	D1	D	L1	L	CH	LCH
27NRFF2012NPT (A)	1/2" => 20 mm	1/2" NPT	0.53	0.56	1.46	0.63	1.58	-	-
27NRFF2034NPT (A)	1/2" => 20 mm	3/4" NPT	0.55	0.71	1.69	0.81	1.81	-	-
27NRFF2512NPT (A)	3/4" => 25 mm	1/2" NPT	0.53	0.56	1.46	0.67	1.61	-	-
27NRFF2534NPT (A)	3/4" => 25 mm	3/4" NPT	0.55	0.71	1.65	0.71	1.81	-	-
27NRFF3234NPT (A)	1" => 32 mm	3/4" NPT	0.55	0.71	1.79	0.85	2.03	-	-
27NRFF321NPT (A)	1" => 32 mm	1" NPT	0.66	0.95	2.13	0.79	2.05	-	-
27NRFF40114NPT (B)	1" 1/4 => 40 mm	1"1/4 NPT	0.68	1.30	2.56	0.87	2.72	1.81	0.59
27NRFF50112NPT (B)	1" 1/2 => 50 mm	1"1/2 NPT	0.68	1.56	2.95	0.98	2.80	2.17	0.59
27NRFF632NPT (B)	2" => 63 mm	2" NPT	0.70	1.97	3.62	1.14	3.15	2.56	0.79
27NRFF75212NPT (B)	2" 1/2 => 75 mm	2"1/2 NPT	0.93	2.40	4.33	1.30	3.50	3.03	0.98
27NRFF903NPT (B)	3" => 90 mm	3" NPT	1.02	2.95	5.08	1.46	3.90	3.74	0.91
27NRFF1104NPT (B)	4" => 110 mm	4" NPT	1.09	3.92	6.30	1.69	4.37	4.72	1.18

**NIRON**



ITEM:  
**NRFF\_NPT**

C:\Vault\_Temp\Disegn\ISchede Tecniche\Niron Grey inches\Socket Fusion Fittings\NI10061.dwg

DESC: FEMALE THREADED ADAPTER W/NPT  
LEAD FREE BRASS - SOCKET FUSION



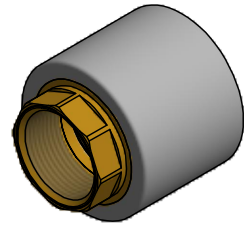
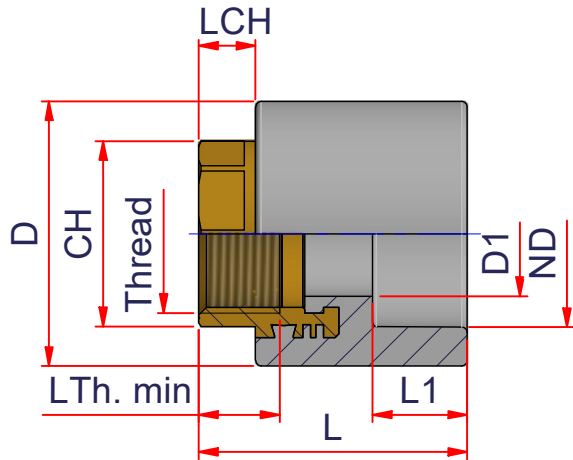
DRAWING No:  
**NI10061**

SHEET OF	REV.
1 2	-5

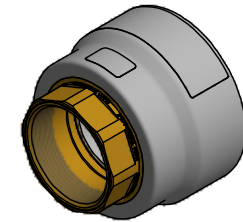
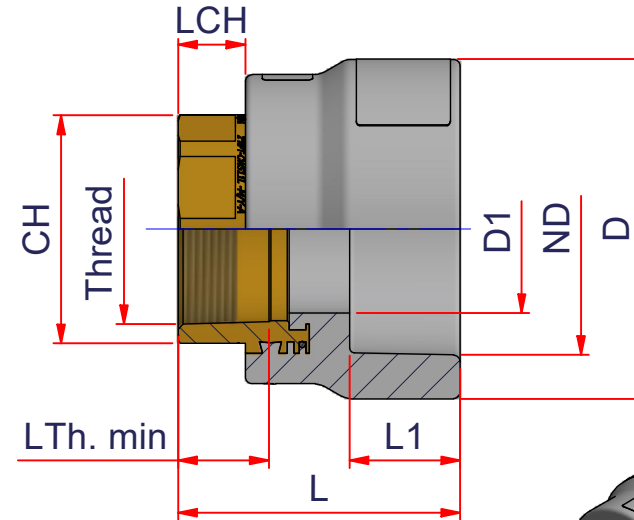
www.nupiamericas.com - info@nupiamericas.com

All dimensions have to be considered in inches with 5% tolerance if not otherwise mentioned excluding values as per standard ASTM F2389

### TYPE C



### TYPE D



CODE	ND	Thread	L Thread min	D1	D	L1	L	CH	LCH
27NRFF401NPT (C)	1" 1/4 => 40 mm	1" NPT	0.66	0.95	2.20	0.87	2.64	1.50	0.59
27NRFF50114NPT (D)	1" 1/2 => 50 mm	1"1/4 NPT	0.59	1.30	2.68	0.98	2.80	1.93	0.59
27NRFF63112NPT (D)	2" => 63 mm	1"1/2 NPT	0.59	1.57	3.39	1.14	2.95	2.28	0.59
27NRFF752NPT (D)	2" 1/2 => 75 mm	2" NPT	0.79	1.97	3.98	1.30	3.31	2.68	0.79
27NRFF1254NPT (C)	5" => 125 mm	4" NPT	1.09	3.92	6.30	1.87	4.55	4.72	1.18



ITEM:  
**NRFF\_NPT**

C:\Vault\_Temp\Disegn\ISchede Tecniche\Niron Grey inches\Socket Fusion Fittings\NI10061.dwg

DESC: FEMALE THREADED ADAPTER W/NPT  
LEAD FREE BRASS - SOCKET FUSION



DRAWING No:  
**NI10061**

SHEET OF	REV.
2 2	-5

www.nupiamericas.com - info@nupiamericas.com

All dimensions have to be considered in inches with 5% tolerance if not otherwise mentioned excluding values as per standard ASTM F2389