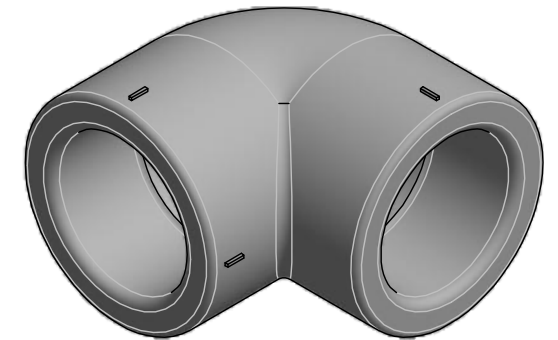


CODE	ND	D1	D	L1	L2	L	H1	H
27NG20	1/2" => 20 mm	0.65	1.14	0.63	1.06	1.64	1.06	1.63
27NG25	3/4" => 25 mm	0.93	1.40	0.63	1.22	1.93	1.22	1.93
27NG32	1" => 32 mm	1.18	1.81	0.79	1.46	2.36	1.46	2.36
27NG40	1" 1/4 => 40 mm	1.42	2.21	0.87	1.69	2.80	1.69	2.79
27NG50	1" 1/2 => 50 mm	1.81	2.76	0.98	2.01	3.39	2.01	3.39
27NG63	2" => 63 mm	2.32	3.47	1.14	2.44	4.17	2.44	4.17
27NG75	2" 1/2 => 75 mm	2.76	3.98	1.30	2.87	4.86	2.87	4.86
27NG90	3" => 90 mm	3.37	4.45	1.46	3.25	5.47	3.25	5.47
27NG110	4" => 110 mm	3.94	5.75	1.69	3.94	6.81	3.94	6.81
27NG125	5" => 125 mm	4.45	6.50	1.87	4.92	8.17	4.92	8.17



ITEM: NG

DESC: 90° ELBOW - SOCKET FUSION

C:\Vault_Temp\Disegn\ISchede Tecniche\Niron Grey inches\Socket Fusion Fittings\NI10125.dwg



DRAWING No:
NI10125

SHEET OF
1 1

REV.
0

www.nupiamericas.com - info@nupiamericas.com

All dimensions have to be considered in inches with 5% tolerance if not otherwise mentioned excluding values as per standard ASTM F2389