

SUBMITTAL DATA SHEET

NI_G_IN_00006.docx
Rev. -0 of 08/09/2023



NIRON CLIMA BUTT FUSION FITTING STUB FLANGE SDR 11



ITEM: 27NCRT_11
SIZE RANGE: 1 1/4" (40 mm) ÷ 20" (500 mm)
SDR: 11
FUSION RANGE: For Butt Fusion – SDR11
For Electrofusion – SDR11 and up
MATERIAL: PP-RCT (Borealis RA 7050 beta crystalline random copolymer PP)
COLOR: Steel Grey

INSTALLATION INSTRUCTIONS:

Butt fusion - Butt fitting in accordance with DVS 2207, ASTM D2657 and NUPI Niron Installation Manual
Electrofusion - Electrofusion in accordance with ASTM D2657 and NUPI Niron Installation Manual

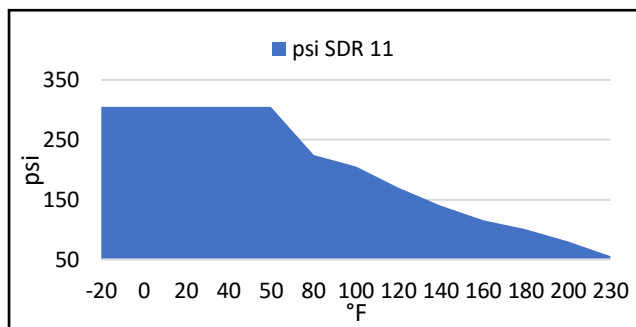
LISTINGS:

NSF PW; ANSI/NSF 14; ANSI/NSF 61; ANSI/NSF 51; UPC; IPC; IAPMO; ICC-ES

STANDARDS:

ANSI/NSF 14; ANSI/NSF 61; ASTM F2389; ASTM F2023; CSA B137,11; ASTM E-84***; CAN/ULC S102***; NSF 51; ISO 15874

MAXIMUM OPERATING PRESSURE:



For code or standard question pertaining to NIRON CLIMA Pipe and Fittings, contact Nupi Americas.

PRODUCT INFORMATION AND APPLICATION USE:

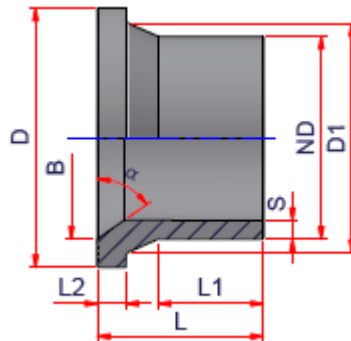
Niron Butt Fusion Fittings is designed to be joined by means of heat element butt fusion or electrofusion in accordance with the above listed installation instructions. Fittings are manufactured with extended plain ends on each outlet which a reinforced area in the center of the fitting for strength. The dimensions of the fittings are in accordance with the requirements of ASTM F2389. The fittings are designed to match the wall thickness and pressure ratings of the matching Niron pipe of the same SDR. Fittings are unitary and injection molded and are solid grey in color.



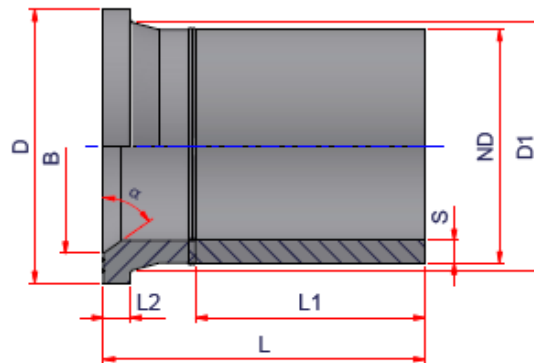
Nupi Americas, Inc.
314 Commerce Parkway
Early Branch, SC 29916
Phone: 813-398-3579
Fax: 813-398-3639
Mail: info@nupiamericas.com
Website: www.nupiamericas.com

SUBMITTAL DATA SHEET

NI_G_IN_00006.docx
Rev. -0 of 08/09/2023



CODE	Flange Type (DN according to ANSI 150#)	Weight lbs/pc	Volume ft ³ /pc	ND	S	D1	D	L1	L2	L	B	α
27NCRT4011	1 1/4"	0.205	0.0176	1 1/4" => 40 mm	0.15	1.93	2.83	2.48	0.43	3.78	1.57	55°
27NCRT5011	1 1/2"	0.293	0.023	1 1/2" => 50 mm	0.18	2.36	3.23	2.56	0.47	3.82	1.97	55°
27NCRT6311	2"	0.469	0.0407	2" => 63 mm	0.23	2.95	3.96	2.74	0.67	4.49	2.5	70°
27NCRT7511	2 1/2"	0.665	0.059	2 1/2" => 75 mm	0.27	3.5	4.69	3.03	0.67	4.65	2.83	79°
27NCRT9011	3"	1.203	0.0806	3" => 90 mm	0.32	4.13	5.22	3.7	0.71	5.12	3.46	70°
27NCRT11011	4"	1.627	0.1202	3 1/2" => 110 mm	0.39	4.92	6.3	3.66	0.75	5.24	4.29	67.5°
27NCRT12511	4"	1.727	0.1202	4" => 125 mm	0.45	5.2	6.3	3.82	0.79	5.24	4.29	67.5°
27NCRT12511A5	5"	2.059	0.2213	4" => 125 mm	0.45	5.59	7.56	4.35	1.02	6.69	5.35	68.5°
27NCRT16011	6"	3.868	0.2576	6" => 160 mm	0.57	6.89	8.41	4.07	0.96	6.3	5.98	74°
27NCRT20011	8"	7.077	0.5377	8" => 200 mm	0.72	9.06	10.55	5.59	1.22	8.35	8.15	68°
27NCRT25011	10"	9.717	0.7052	10" => 250 mm	0.9	11.22	12.6	4.72	1.32	7.68	10.2	65°
27NCRT31511	12"	13.383	0.9911	12" => 315 mm	1.13	12.72	14.57	5.35	1.77	8.07	12.2	67.5°



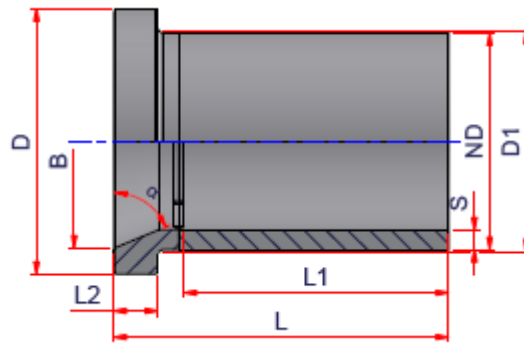
CODE	Flange Type (DN according to ANSI 150#)	Weight lbs/pc	Volume ft ³ /pc	ND	S	D1	D	L1	L2	L	B	α
27NCRT35511MB	14"	33.417	3.2182	14" => 355 mm	1.27	14.05	16.91	13.39	1.65	19.45	13.39	67.5°
27NCRT40011MB	16"	48.12	4.1039	16" => 400 mm	1.43	16.02	19.29	15.75	1.85	19.06	14.57	67.5°
27NCRT45011MB	18"	59.866	5.5912	18" => 450 mm	1.61	18.11	21.42	13.39	2.32	21.06	17.56	60°
27NCRT50011MB	20"	77.113	6.9492	20" => 500 mm	1.79	20.16	23.03	14.96	2.32	22.64	19.02	67.5°



Nupi Americas, Inc.
314 Commerce Parkway
Early Branch, SC 29916
Phone: 813-398-3579
Fax: 813-398-3639
Mail: info@nupiamericas.com
Website: www.nupiamericas.com

SUBMITTAL DATA SHEET

NI_G_IN_00006.docx
Rev. -0 of 08/09/2023



CODE	Flange Type (DN according to ANSI 150#)	Weight lbs/pc	Volume ft ³ /pc	ND	S	D1	D	L1	L2	L	B	α
27NCRT40011MBV	16"	43.986	4.2226	16" => 400 mm	1.43	16.06	19.29	12.4	3.07	19.61	15.51	67.5°
27NCRT45011MBV	18"	56.5	5.5593	18" => 450 mm	1.61	18.07	21.46	13.23	2.37	20.87	17.56	63°

MANUFACTURER'S WARRANTY:

Thirty (30) Years from the date of sale upon successful completion of pressure test of the piping system (refer to published warranty for complete details).

NOTE:

- * More information can be found on NIRON TECHNICAL CATALOGUE
- *** In order for Niron pipe and fittings to meet E-84 and/or CAN/ULC S102.2 for installation in a plenum application, it must be covered with a minimum of 1" or greater E-84 fiberglass insulation
- **** Technical Data may undergo dimensional changes, check revision at the top
- ***** It is the designer's/installer's responsibility to verify disc clearance before installation/purchasing the product by dry fitting the stub flange with the butterfly valve. Consult the Niron Installation Manual for further details concerning the installation of butterfly valves



Nupi Americas, Inc.
314 Commerce Parkway
Early Branch, SC 29916
Phone: 813-398-3579
Fax: 813-398-3639
Mail: info@nupiamericas.com
Website: www.nupiamericas.com