

CODE	ND	D1	D2	D	L1	L
27NCOSA32	1 => 32 mm	1.10	1.60	2.01	0.71	1.02
27NCOSA40	1 1/4 => 40 mm	1.42	1.95	2.52	0.81	1.18
27NCOSA50	1 1/2 => 50 mm	1.83	2.40	2.88	0.93	1.34
27NCOSA63	2 => 63 mm	2.24	2.99	4.02	1.10	1.42
27NCOSA75	2 1/2 => 75 mm	2.80	3.54	4.11	1.18	1.65



ITEM: **NCOSA**

DESC: STUB FLANGE SOCKET FUSION

C:\Vault\_Temp\Disegni\Corinna\Tabelle\Niron\POLLICI USA\Ncosa pollici\NI10158.dwg

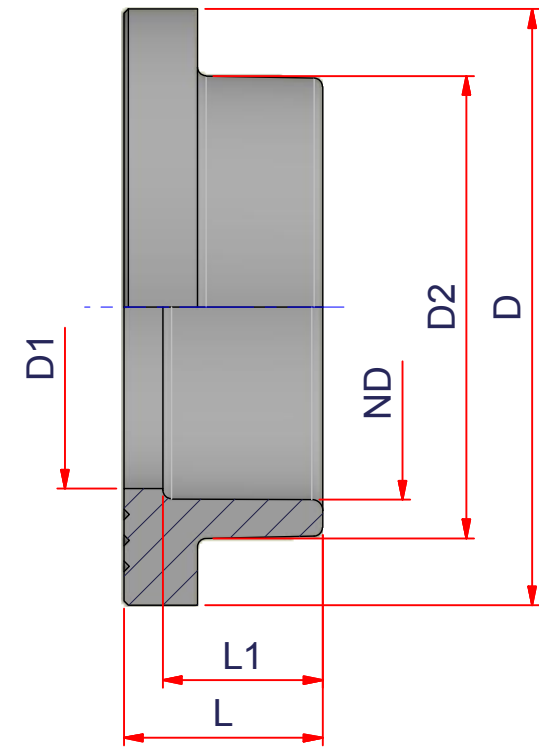


DRAWING No:  
**NI10158**

SHEET OF	REV.
1 2	-3

www.nupiamericas.com - info@nupiamericas.com

All dimensions have to be considered in inches with 5% tolerance if not otherwise mentioned



CODE	ND	D1	D2	D	L1	L
27NCOSA90	3 => 90 mm	3.31	4.25	5.43	1.46	1.81
27NCOSA110	4 => 110 mm	4.09	5.16	6.22	1.50	2.05
27NCOSA125	5 => 125 mm	4.72	5.75	6.30	1.57	2.17

**NIRON**



ITEM: **NCOSA**

C:\Vault\_Temp\Disegni\Corinna\Tabelle\Niron\POLLICI USA\Ncosa pollici\NI10158.dwg

DESC: STUB FLANGE SOCKET FUSION



DRAWING No:  
**NI10158**

SHEET OF	REV.
2 2	-3

www.nupiamericas.com - info@nupiamericas.com

All dimensions have to be considered in inches with 5% tolerance if not otherwise mentioned