

CODE	ND	S	D	D1	L1	L2	L	B	α
27NCRT3217	1" => 32 mm	0.08	2.48	1.61	1.72	0.41	3.07	1.26	55°
27NCRT4017	1" 1/4 => 40 mm	0.10	2.83	1.93	2.48	0.43	3.77	1.57	55°
27NCRT5017	1" 1/2 => 50 mm	0.12	3.23	2.35	2.56	0.47	3.81	1.97	55°
27NCRT6317	2" => 63 mm	0.15	3.94	2.91	2.95	0.59	4.6	2.52	55°
27NCRT7517	2" 1/2 => 75 mm	0.18	4.69	3.50	3.31	0.63	4.95	2.95	55°
27NCRT9017	3" => 90 mm	0.21	5.16	4.13	4.06	0.67	5.59	3.54	55°
27NCRT11017	4" => 110 mm	0.26	6.22	4.92	3.62	0.71	5.16	4.33	55°
27NCRT12517	5" => 125 mm	0.29	6.22	5.15	5.2	0.67	6.73	4.88	55°
27NCRT12517A5	5" => 125 mm	0.29	7.60	5.47	4.33	1.02	6.57	5.51	65°
27NCRT16017	6" => 160 mm	0.37	8.35	6.89	4.13	0.71	7.08	6.3	65°
27NCRT20017	8" => 200 mm	0.47	10.55	9.06	5.04	1.13	7.76	8.17	65°
27NCRT25017	10" => 250 mm	0.58	12.52	10.68	5.2	1.32	8.19	10.2	70°
27NCRT31517	12" => 315 mm	0.74	14.57	13.11	5.39	1.77	8.07	12.2	68°

NIRON



ITEM:
NCRT_17

C:\Vault_Temp\Disegni\Schede Tecniche\Niron Grey inches\Butt Fusion Fittings\NI10235.dwg

DESC: STUB FLANGE - LONG SPIGOT
SDR 17

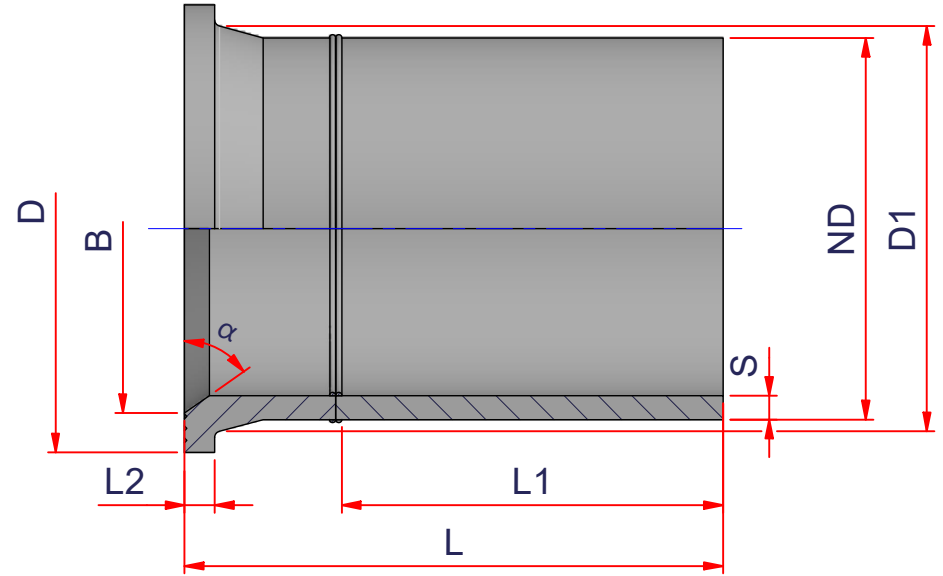


DRAWING No:
NI10235

SHEET OF	REV.
1 3	-12

www.nupiamericas.com - info@nupiamericas.com

All dimensions have to be considered in inches with 5% tolerance if not otherwise mentioned excluding values as per standard ASTM F2389



CODE	ND	S	D	D1	L1	L2	L	B	α
27NCRT35517MB	14" => 355 mm	0.83	16.93	13.98	12.59	1.12	18.5	13.31	68°
27NCRT40017MB	16" => 400 mm	0.93	18.98	16.02	12.59	1.24	18.69	15.35	65°
27NCRT45017MB	18" => 450 mm	1.05	21.42	18.07	13.39	1.75	20.08	17.56	65°
27NCRT50017MB	20" => 500 mm	1.17	23.03	20.04	14.96	1.75	21.85	19.02	68°
27NCRT56017MB	22" => 560 mm	1.31	25.51	22.24	15.75	1.93	20.47	20.47	75°
27NCRT63017MB	24" => 630 mm	1.47	26.97	25.24	17.32	1.91	24.41	23.03	73°



ITEM:
NCRT_17MB

C:\Vault_Temp\Disegni\Schede Tecniche\Niron Grey inches\Butt Fusion Fittings\NI10235.dwg

DESC: STUB FLANGE - LONG SPIGOT SDR17

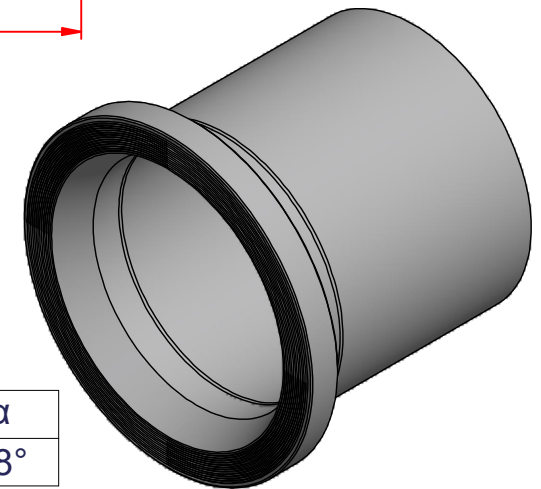
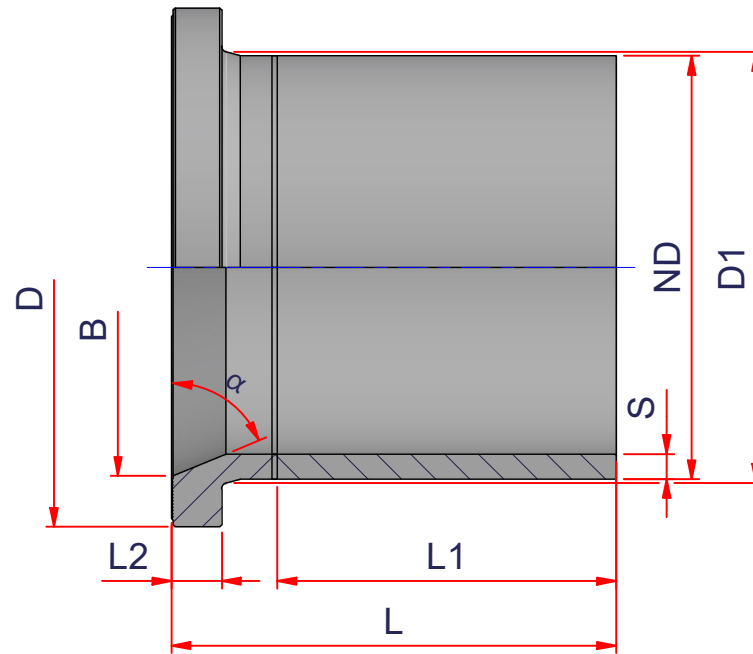


DRAWING No:
NI10235

SHEET OF	REV.
2 3	-12

www.nupiamericas.com - info@nupiamericas.com

All dimensions have to be considered in inches with 5% tolerance if not otherwise mentioned excluding values as per standard ASTM F2389



CODE	ND	S	D	D1	L1	L2	L	B	α
27NCRT40017MBV	16" => 400 mm	0.93	19.29	16.02	12.59	1.87	16.54	15.51	68°

NIRON



ITEM:
NCRT_17MBV

C:\Vault_Temp\Disegn\ISchede Tecniche\Niron Grey inches\Butt Fusion Fittings\NI10235.dwg

DESC: STUB FLANGE - LONG SPIGOT
SDR17



DRAWING No:
NI10235

SHEET OF	REV.
3 3	-12

www.nupiamericas.com - info@nupiamericas.com

All dimensions have to be considered in inches with 5% tolerance if not otherwise mentioned excluding values as per standard ASTM F2389