

CODE	Weight lbs/pc	Volume ft ³ /pc	ND	S	D	D1	L1	L2	L	B	α
27NCRT3211	0.143	0.0109	1" => 32 mm	0.13	2.48	1.61	1.72	0.41	3.07	1.26	55°
27NCRT4011	0.205	0.0175	1 1/4" => 40 mm	0.15	2.83	1.93	2.48	0.43	3.77	1.57	55°
27NCRT5011	0.293	0.023	1 1/2" => 50 mm	0.18	3.23	2.35	2.56	0.47	3.81	1.97	55°
27NCRT6311	0.469	0.0407	2" => 63 mm	0.23	3.96	2.95	2.74	0.66	4.48	2.47	70°
27NCRT7511	0.665	0.0592	2 1/2" => 75 mm	0.27	4.69	3.5	3.03	0.67	4.65	2.83	79°
27NCRT9011	1.203	0.0807	3" => 90 mm	0.32	5.22	4.13	3.7	0.71	5.12	3.46	70°
27NCRT11011	1.627	0.1204	3 1/2" => 110 mm	0.39	6.3	4.92	3.66	0.75	5.24	4.29	67,5°
27NCRT12511	1.727	0.1289	4" => 125 mm	0.45	6.3	5.2	3.82	0.79	5.61	4.41	78°
27NCRT12511A5	2.059	0.2196	4" => 125 mm	0.45	7.6	5.47	4.33	1.02	6.57	5.51	65°
27NCRT16011	3.868	0.2579	6" => 160 mm	0.58	8.41	6.81	4.07	0.96	6.3	5.81	76,5°
27NCRT20011	7.077	0.476	8" => 200 mm	0.72	10.55	9.06	4.53	1.26	7.39	8.17	65°
27NCRT25011	8.291	0.7429	10" => 250 mm	0.9	12.52	11.14	5.2	1.32	8.19	10.2	65°
27NCRT31511	11.953	0.9914	12" => 315 mm	1.13	14.57	12.72	5.35	1.77	8.07	12.2	67,5°

NIRON



ITEM:
NCRT_11

C:\Vault_Temp\Disegni\Schede Tecniche\Niron Grey inches\Butt Fusion Fittings\NI10213.dwg

DESC: STUB FLANGE - LONG SPIGOT SDR 11

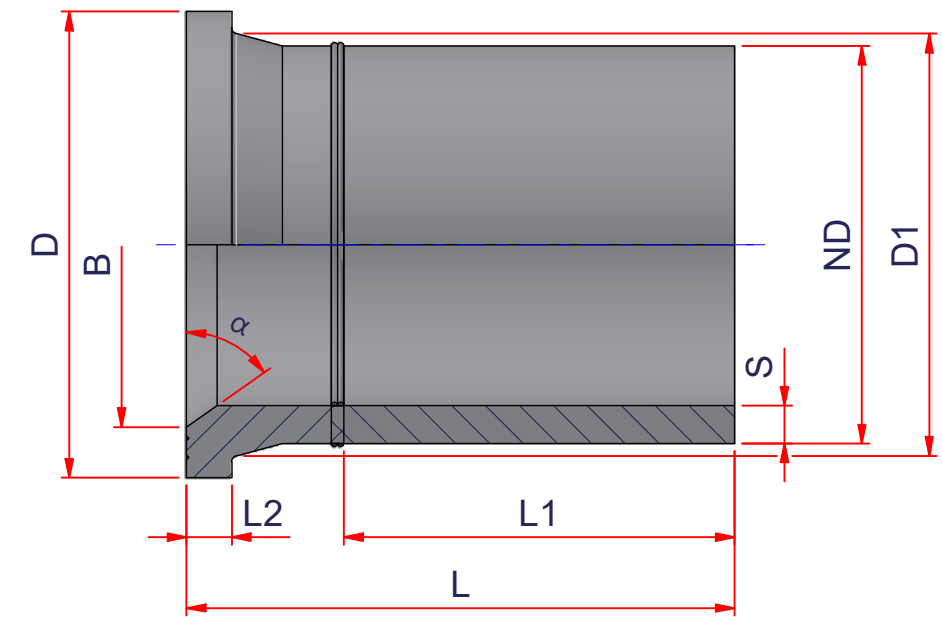


DRAWING No:

NI10213

SHEET OF REV.

1 3 -20



CODE	Weight lbs/pc	Volume ft ³ /pc	ND	S	D	D1	L1	L2	L	B	α
27NCRT35511MB	33.417	3.0686	14" => 355 mm	1.27	16.93	13.98	10.95	1.52	18.5	13.31	67,5°
27NCRT40011MB	44.101	3.8964	16" => 400 mm	1.43	18.98	16.02	13.96	1.85	18.69	14.57	67,5°
27NCRT45011MB	59.866	5.2812	18" => 450 mm	1.61	21.42	18.06	13.43	2.3	19.89	17.56	55°
27NCRT50011MB	77.113	6.7065	20" => 500 mm	1.79	23.03	20.18	15.02	2.3	21.85	19	67,5°



NIRON



ITEM:
NCRT_11MB

C:\Vault_Temp\Disegni\Schede Tecniche\Niron Grey inches\Butt Fusion Fittings\NI10213.dwg

DESC: STUB FLANGE - LONG SPIGOT SDR 11



DRAWING No:

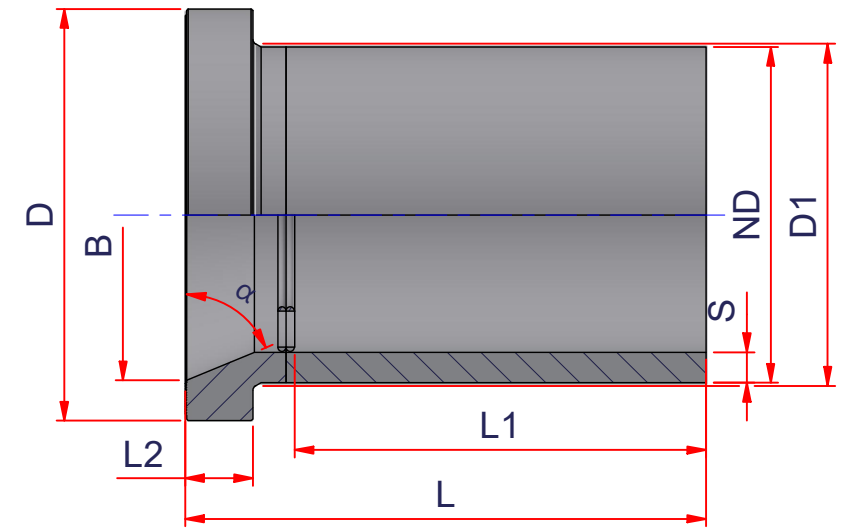
NI10213

SHEET OF REV.

2 3 -20

www.nupiamericas.com - info@nupiamericas.com

All dimensions have to be considered in inches with 5% tolerance if not otherwise mentioned excluding values as per standard ASTM F2389



CODE	Weight lbs/pc	Volume ft ³ /pc	ND	S	D	D1	L1	L2	L	B	α
27NCRT40011MBV	43.986	3.7297	16" => 400 mm	1.43	19.29	16.45	12.2	3.17	17.32	15.51	67,5°
27NCRT45011MBV	56.5	4.8085	18" => 450 mm	1.61	21.42	18.5	13.39	3.17	18.11	17.56	65°



ITEM:
NCRT_11MBV

C:\Vault_Temp\Disegni\Schede Tecniche\Niron Grey inches\Butt Fusion Fittings\NI10213.dwg

DESC: STUB FLANGE - LONG SPIGOT SDR 11



DRAWING No:

NI10213

SHEET OF REV.

3 3 -20