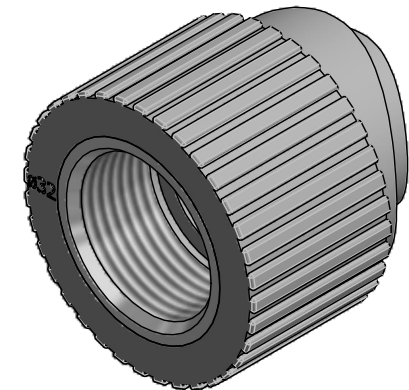
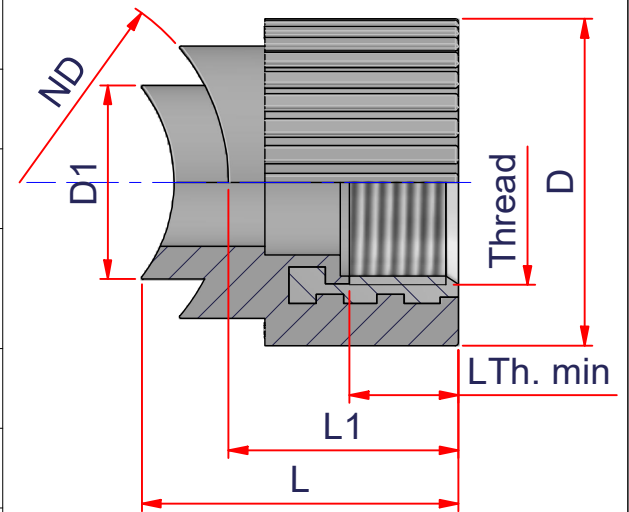


CODE	ND	Thread	L Thread min	D1	D	L1	L
27NGSF124050SS	1" 1/4 = 40 mm 1" 1/2 = 50 mm	1/2" NPT	0.53	0.98	1.46	1.24	1.77
27NGSF126375SS	2" => 63 mm 2" 1/2 => 75 mm	1/2" NPT	0.53	0.98	1.46	1.24	1.65
27NGSF1290110125SS	3" => 90 mm 4" => 110 mm 5" => 125 mm	1/2" NPT	0.53	0.98	1.46	1.24	1.61
27NGSF12160200SS	6" => 160 mm 8" => 200 mm	1/2" NPT	0.53	0.98	1.46	1.24	1.57
27NGSF12250315SS	10" => 250 mm 12" => 315 mm	1/2" NPT	0.53	0.98	1.46	1.24	1.57
27NGSF12355630SS	14"-24" => 355-630 mm	1/2" NPT	0.53	0.98	1.46	1.24	1.57
27NGSF344050SS	1" 1/4 = 40 mm 1" 1/2 = 50 mm	3/4" NPT	0.55	0.98	1.65	1.32	1.85
27NGSF346375SS	2" => 63 mm 2" 1/2 => 75 mm	3/4" NPT	0.55	0.98	1.65	1.32	1.73
27NGSF3490110125SS	3" => 90 mm 4" => 110 mm 5" => 125 mm	3/4" NPT	0.55	0.98	1.65	1.32	1.69
27NGSF34160200SS	6" => 160 mm 8" => 200 mm	3/4" NPT	0.55	0.98	1.65	1.32	1.65
27NGSF34250315SS	10" => 250 mm 12" => 315 mm	3/4" NPT	0.55	0.98	1.65	1.32	1.65
27NGSF34355630SS	14"-24" => 355-630 mm	3/4" NPT	0.55	0.98	1.65	1.32	1.65



ITEM:  
**NGSF\_SS**

C:\Vault\_Temp\Disegni\Schede Tecniche\Niron Grey inches\Socket Fusion Fittings\NI10187.dwg

DESC: FEMALE SIDE FUSION WELDING  
SADDLE W/NPT STAINLESS STEEL  
SDR 11

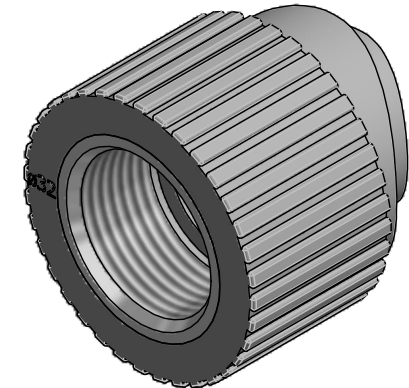
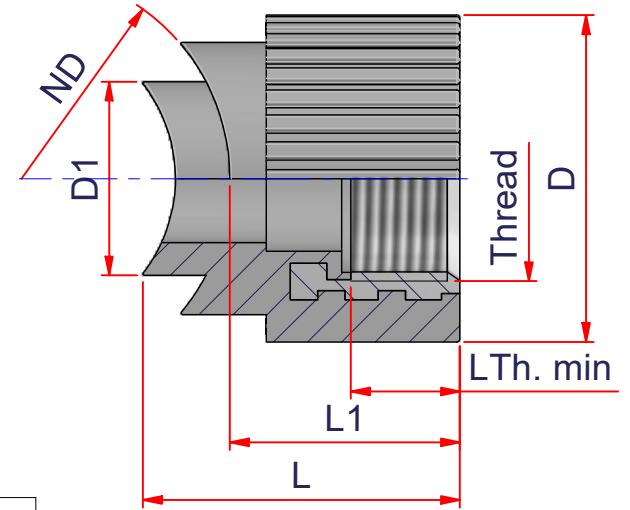


DRAWING No:  
NI10187

SHEET OF	REV.
1 2	-3

www.nupiamericas.com - info@nupiamericas.com

All dimensions have to be considered in inches with 5% tolerance if not otherwise mentioned excluding values as per standard ASTM F2389



CODE	ND	Thread	L Thread min	D1	D	L1	L
27NGSF016375SS	2" => 63 mm 2" 1/2 => 75 mm	1" NPT	0.66	1.26	2.13	1.50	2.05
27NGSF0190110125SS	3" => 90 mm 4" => 110 mm 5" => 125 mm	1" NPT	0.66	1.26	2.13	1.50	1.97
27NGSF01160200SS	6" => 160 mm 8" => 200 mm	1" NPT	0.66	1.26	2.13	1.50	1.91
27NGSF01250315SS	10" => 250 mm 12" => 315 mm	1" NPT	0.66	1.26	2.13	1.50	1.89
27NGSF01355630SS	14"-24" => 355-630 mm	1" NPT	0.66	1.26	2.13	1.50	1.89

**NIRON**



ITEM: **NGSF\_SS**

C:\Vault\_Temp\Disegn\Scheme Tecniche\Niron Grey inches\Socket Fusion Fittings\NI10187.dwg

DESC: FEMALE SIDE FUSION WELDING  
SADDLE W/NPT STAINLESS STEEL  
SDR 11



DRAWING No:  
NI10187

SHEET OF	REV.
2 2	-3

www.nupiamericas.com - info@nupiamericas.com

All dimensions have to be considered in inches with 5% tolerance if not otherwise mentioned excluding values as per standard ASTM F2389