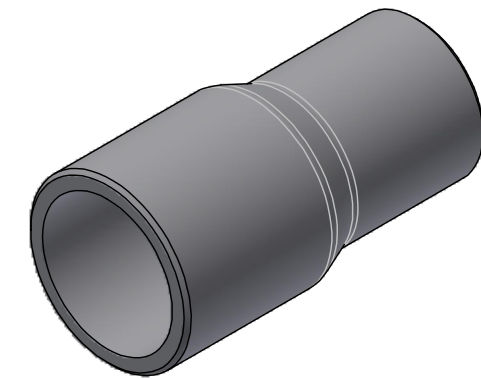


CODE	Weight lbs/pc	Volume ft ³ /pc	ND1	ND2	S1	S2	L1	L2	L
27NR634011MM	0.212	0.0149	2" => 63mm	1 1/4" => 40mm	0.23	0.15	2.56	2.05	5.2
27NR635011MM	0.233	0.0149	2" => 63mm	1 1/2" => 50mm	0.23	0.18	2.56	2.2	5.2
27NR754011MM	0.305	0.0192	2 1/2" => 75mm	1 1/4" => 40mm	0.27	0.15	2.56	1.89	5.63
27NR755011MM	0.325	0.019	2 1/2" => 75mm	1 1/2" => 50mm	0.27	0.18	2.56	1.89	5.55
27NR756311MM	0.386	0.0202	2 1/2" => 75mm	2" => 63mm	0.27	0.23	2.8	2.52	5.9
27NR905011MM	0.467	0.0245	3" => 90mm	1 1/2" => 50mm	0.32	0.18	2.87	2.24	5.98
27NR906311MM	0.503	0.0242	3" => 90mm	2" => 63mm	0.32	0.23	2.8	2.24	5.9
27NR907511MM	0.638	0.0283	3" => 90mm	2 1/2" => 75mm	0.32	0.27	3.19	2.84	6.89
27NR1106311MM	0.823	0.0355	3 1/2" => 110mm	2" => 63mm	0.39	0.23	3.31	2.87	7.09
27NR1107511MM	0.917	0.0359	3 1/2" => 110mm	2 1/2" => 75mm	0.39	0.27	3.35	2.24	7.17
27NR1109011MM	0.938	0.0345	3 1/2" => 110mm	3" => 90mm	0.39	0.32	3.07	2.76	6.89
27NR1257511MM	1.253	0.0447	4" => 125mm	2 1/2" => 75mm	0.45	0.27	3.62	2.36	7.84
27NR1259011MM	1.225	0.0417	4" => 125mm	3" => 90mm	0.45	0.32	3.39	2.76	7.32
27NR12511011MM	1.375	0.0419	4" => 125mm	3 1/2" => 110mm	0.45	0.39	3.5	3.03	7.36
27NR1609011MM	2.237	0.066	6" => 160mm	3" => 90mm	0.57	0.32	4.21	3.54	9.05
27NR16011011MM	2.264	0.0617	6" => 160mm	3 1/2" => 110mm	0.57	0.39	4.06	3.46	8.46
27NR16012511MM	2.398	0.0615	6" => 160mm	4" => 125mm	0.57	0.45	4.02	3.58	8.43
27NR20016011MM	4.332	0.0861	8" => 200mm	6" => 160mm	0.72	0.58	4.65	3.98	9.45



ITEM:
NR_11MM

C:\Vault_Temp\Disegni\Schede Tecniche\Niron Grey inches\Butt Fusion Fittings\NI10143.dwg

DESC: MALE CONCENTRIC REDUCER - LONG SPIGOT
SDR 11



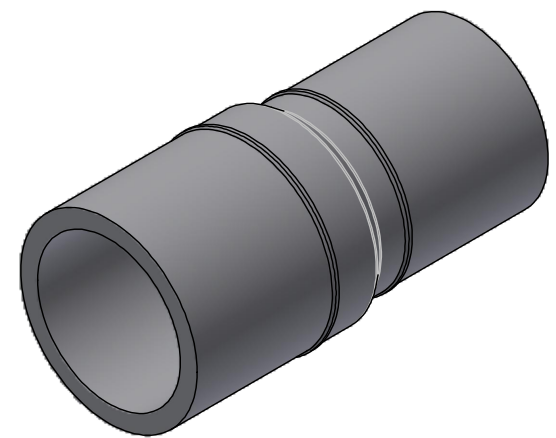
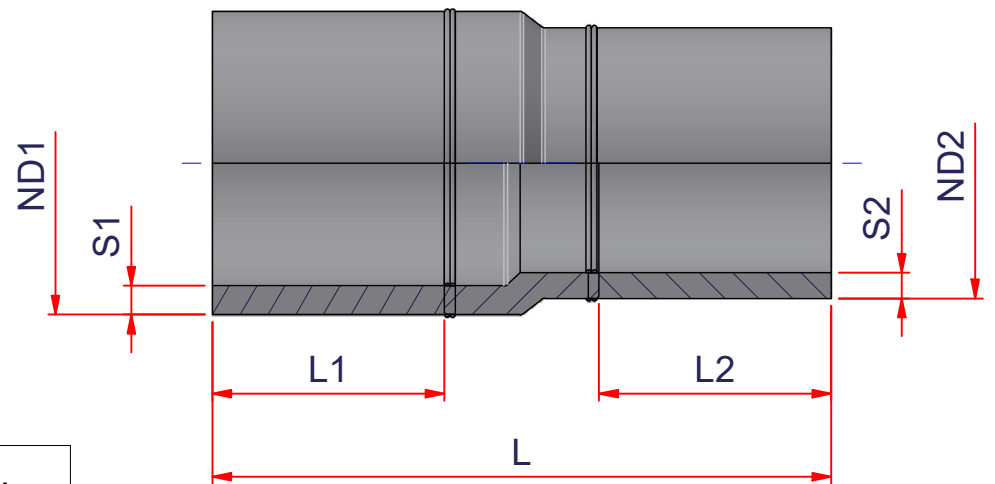
DRAWING No:

NI10143

SHEET OF REV.

1 2 -10

CODE	Weight lbs/pc	Volume ft ³ /pc	ND1	ND2	S1	S2	L1	L2	L
27NR25016011MMB	13.731	0.2243	10" => 250mm	6" => 160mm	0.89	0.58	9.65	6.89	19.69
27NR25020011MMB	15.101	0.2287	10" => 250mm	8" => 200mm	0.89	0.72	9.65	7.28	20.08
27NR31516011MMB	24.397	0.3248	12" => 315mm	6" => 160mm	1.13	0.58	12.59	6.89	22.63
27NR31520011MMB	25.767	0.3304	12" => 315mm	8" => 200mm	1.13	0.72	12.59	7.28	23.02
27NR31525011MMB	29.591	0.3644	12" => 315mm	10" => 250mm	1.13	0.89	12.59	9.65	25.39
27NR35520011MMB	32.413	0.3724	14" => 355mm	8" => 200mm	1.27	0.72	12.59	7.28	23.02
27NR35525011MMB	34.375	0.4012	14" => 355mm	10" => 250mm	1.27	0.89	12.6	8.35	24.8
27NR35531511MMB	44.436	0.4711	14" => 355mm	12" => 315mm	1.27	1.13	12.59	12.59	29.12
27NR40025011MMB	46.082	0.4772	16" => 400mm	10" => 250mm	1.43	0.89	12.59	9.65	26.18
27NR40031511MMB	53.799	0.5308	16" => 400mm	12" => 315mm	1.43	1.13	12.59	12.59	29.12
27NR40035511MMB	57.531	0.5308	16" => 400mm	14" => 355mm	1.43	1.27	12.59	12.59	29.12
27NR45031511MMB	67.056	0.6135	18" => 450mm	12" => 315mm	1.61	1.13	13.39	12.59	29.92
27NR45035511MMB	70.626	0.6135	18" => 450mm	14" => 355mm	1.61	1.27	13.39	12.59	29.92
27NR45040011MMB	75.191	0.6135	18" => 450mm	16" => 400mm	1.61	1.43	13.39	12.59	29.92
27NR50035511MMB	88.355	0.7175	20" => 500mm	14" => 355mm	1.79	1.27	14.96	12.59	31.49
27NR50040011MMB	92.899	0.7175	20" => 500mm	16" => 400mm	1.79	1.43	14.96	12.59	31.49
27NR50045011MMB	100.795	0.7357	20" => 500mm	18" => 450mm	1.79	1.61	14.96	13.39	32.29



NIRON



ITEM:
NR_11MMB

C:\Vault_Temp\Disegni\Schede Tecniche\Niron Grey inches\Butt Fusion Fittings\NI10143.dwg

DESC: **MALE CONCENTRIC REDUCER - LONG SPIGOT
SDR 11**



DRAWING No:

NI10143

SHEET OF REV.

2 2 -10