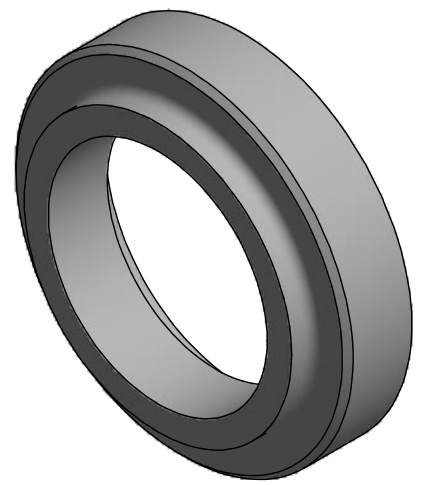
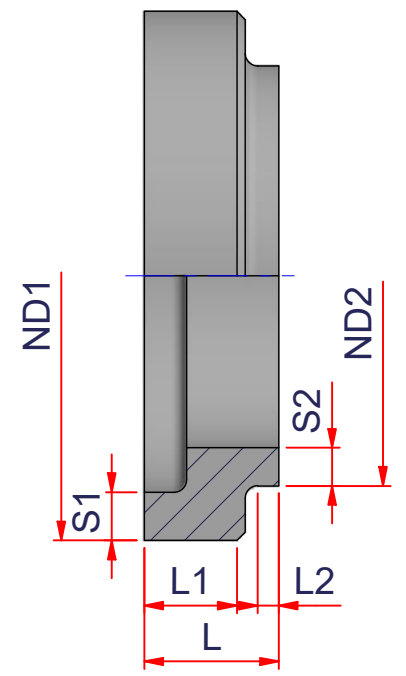


CODE	ND1	S1	ND2	S2	L1	L2	L
27NRCC25016011MM	10" => 250 mm	0.89	6" => 160 mm	0.58	2.07	0.69	3.15
27NRCC25020011MM	10" => 250 mm	0.89	8" => 200 mm	0.72	2.07	0.69	3.15
27NRCC31516011MM	12" => 315 mm	1.13	6" => 160 mm	0.58	2.07	0.59	3.15
27NRCC35520011MM	14" => 355 mm	1.27	8" => 200 mm	0.72	2.20	0.55	3.15
27NRCC35525011MM	14" => 355 mm	1.27	10" => 250 mm	0.89	2.20	0.55	3.15
27NRCC35531511MM	14" => 355 mm	1.27	12" => 315 mm	1.13	2.76	0.79	3.94
27NRCC40025011MM	16" => 400 mm	1.43	10" => 250 mm	0.89	-	-	-
27NRCC40031511MM	16" => 400 mm	1.43	12" => 315 mm	1.13	2,85	0,79	3,94
27NRCC40035511MM	16" => 400 mm	1.43	14" => 355 mm	1.27	2.76	0.79	3.94
27NRCC45031511MM	18" => 450 mm	1.61	12" => 315 mm	1.13	-	-	-
27NRCC45035511MM	18" => 450 mm	1.61	14" => 355 mm	1.27	-	-	-
27NRCC45040011MM	18" => 450 mm	1.61	16" => 400 mm	1.43	-	-	-
27NRCC50035511MM	20" => 500 mm	1.79	14" => 355 mm	1.27	2.85	0.59	3.94
27NRCC50040011MM	20" => 500 mm	1.79	16" => 400 mm	1.43	-	-	-
27NRCC50045011MM	20" => 500 mm	1.79	18" => 450 mm	1.61	-	-	-



NIRON

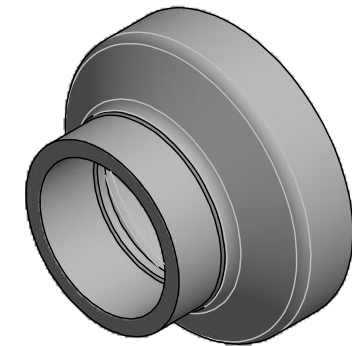
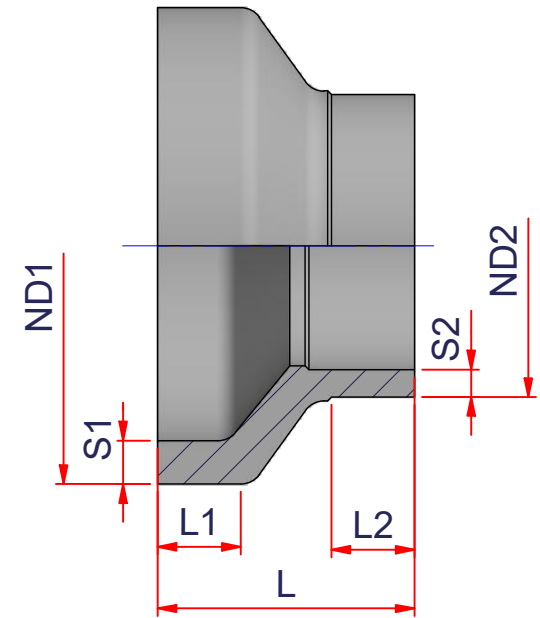
 AMERICAS
 www.nupiamericas.com - info@nupiamericas.com

ITEM:
NRCC_11MM
C:\Vault_Temp\Disegni\Schede Tecniche\Niron Grey inches\Butt Fusion Fittings\NI10245.dwg

DESC: MALE CONCENTRIC REDUCER -
 SHORT SPIGOT - SDR11

 DRAWING No:
NI10245
 SHEET OF REV.
 1 2 -5

All dimensions have to be considered in inches with 5% tolerance if not otherwise mentioned excluding values as per standard ASTM F2389



CODE	ND1	S1	ND2	S2	L1	L2	L
27NRCC31520011MM	12" = > 315 mm	1.13	8" = > 200 mm	0.72	2.35	2.17	6.54
27NRCC31525011MM	12" = > 315 mm	1.13	10" = > 250 mm	0.89	2.43	2.19	5.94

NIRON



ITEM:
NRCC_11MM

C:\Vault_Temp\Disegn\ISchede Tecniche\Niron Grey inches\Butt Fusion Fittings\NI10245.dwg

DESC: MALE CONCENTRIC REDUCER -
DHORT SPIGOT - SDR11



DRAWING No:
NI10245

SHEET OF	REV.
2 2	-5

www.nupiamericas.com - info@nupiamericas.com

All dimensions have to be considered in inches with 5% tolerance if not otherwise mentioned excluding values as per standard ASTM F2389