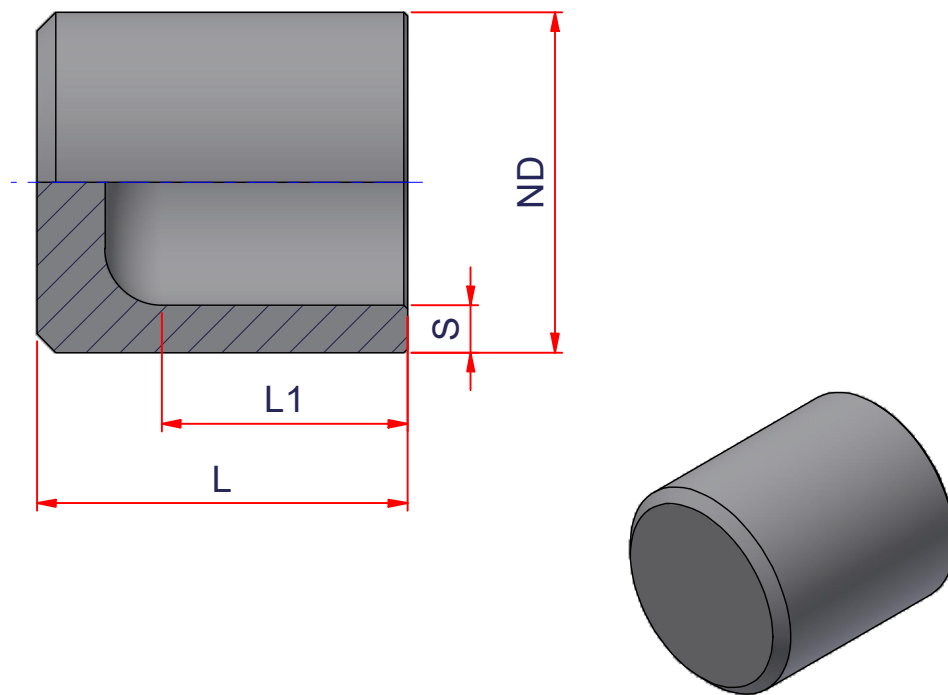
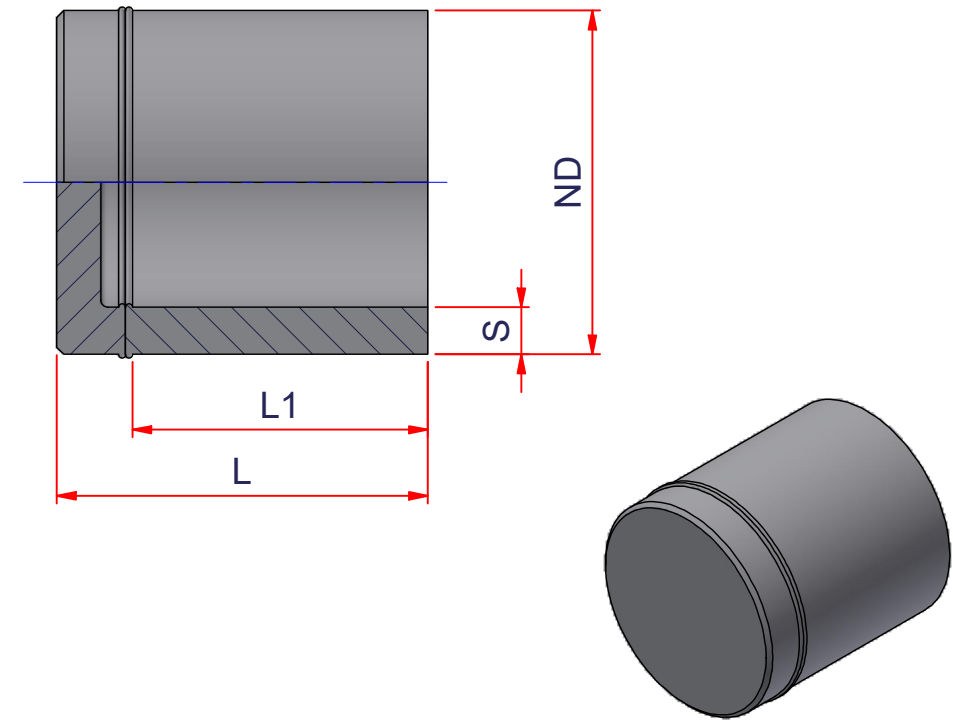


TYPE A



TYPE B



CODE	TYPE	Weight lbs/pc	Volume ft ³ /pc	ND	S	L1	L
27NCC6373M	A	0.287	0.0098	2" => 63 mm	0.34	2.76	3.43
27NCC7573M	A	0.453	0.0128	2 1/2" => 75 mm	0.41	2.95	3.74
27NCC9073M	A	0.723	0.0169	3" => 90 mm	0.48	3.15	4.13
27NCC11073M	A	1.177	0.0227	3 1/2" => 110 mm	0.59	3.54	4.53
27NCC12573M	A	1.574	0.0269	4" => 125 mm	0.67	3.74	4.72
27NCC16073MB	B	3.565	0.0431	6" => 160 mm	0.86	4.25	5.91
27NCC20073MB	B	6.44	0.0628	8" => 200 mm	1.08	5.24	6.89
27NCC25073MB	B	16.626	0.131	10" => 250 mm	1.35	8.35	11.5
27NCC31573MB	B	34.318	0.2259	12" => 315 mm	1.7	12.59	15.74



ITEM:
NCC_73M

DESC: END CAP LONG SPIGOT SDR 7.3

C:\Vault_Temp\Disegni\Schede Tecniche\Niron Grey inches\Butt Fusion Fittings\NI10226.dwg



DRAWING No:

NI10226

SHEET OF REV.

1 1 -5