

CODE	ND	S	L1	L
27NCC6311M	2" => 63 mm	0.23	2.76	3.43
27NCC7511M	2" 1/2 => 75 mm	0.27	2.95	3.74
27NCC9011M	3" => 90 mm	0.32	3.19	4.13
27NCC11011M	4" => 110 mm	0.39	3.54	4.69
27NCC12511M	5" => 125 mm	0.45	3.74	5.04
27NCC16011M	6" => 160 mm	0.58	4.25	5.59
27NCC20011M	8" => 200 mm	0.72	5.24	6.77

NIRON



ITEM:
NCC_11M

C:\Vault_Temp\Disegn\ISchede Tecniche\Niron Grey inches\Butt Fusion Fittings\NI10219.dwg

DESC: END CAP - LONG SPIGOT
SDR 11

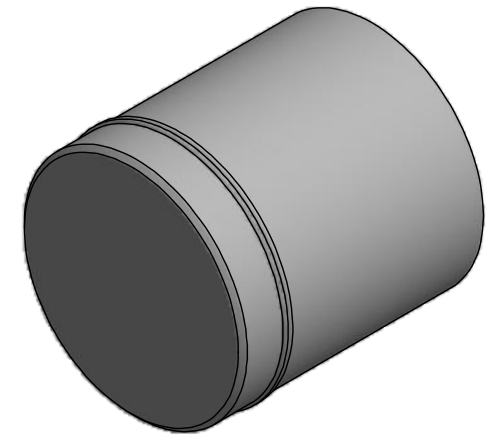
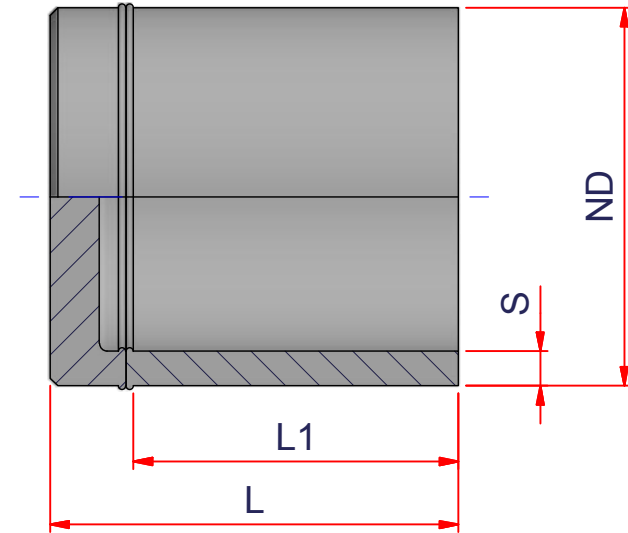


DRAWING No:
NI10219

SHEET OF	REV.
1 2	-2

www.nupiamericas.com - info@nupiamericas.com

All dimensions have to be considered in inches with 5% tolerance if not otherwise mentioned excluding values as per standard ASTM F2389



CODE	ND	S	L1	L
27NCC25011MB	10" => 250 mm	0.90	8.35	11.5
27NCC31511MB	12" => 315 mm	1.13	12.59	15.74
27NCC35511MB	14" => 355 mm	1.27	12.59	15.74
27NCC40011MB	16" => 400 mm	1.43	12.59	16.52
27NCC45011MB	18" => 450 mm	1.61	13.39	17.32
27NCC50011MB	20" => 500 mm	1.79	14.96	18.11

NIRON



ITEM:
NCC_11MB

C:\Vault_Temp\Disegni\Schede Tecniche\Niron Grey inches\Butt Fusion Fittings\NI10219.dwg

DESC: END CAP LONG SPIGOT
SDR 11



DRAWING No:
NI10219

SHEET OF	REV.
2 2	-2

www.nupiamericas.com - info@nupiamericas.com

All dimensions have to be considered in inches with 5% tolerance if not otherwise mentioned excluding values as per standard ASTM F2389