

CODE	ND1	S1	ND2	S2	L1	L2	L
27NR634073MM	2" => 63 mm	0.34	1" 1/4 => 40 mm	0.22	2.56	2.05	5.20
27NR635073MM	2" => 63 mm	0.34	1" 1/2 => 50 mm	0.28	2.56	2.20	5.20
27NR906373MM	3" => 90 mm	0.48	2" => 63 mm	0.34	2.80	2.24	5.9
27NR907573MM	3" => 90 mm	0.48	2" 1/2 => 75 mm	0.41	3.15	2.80	6.77
27NR1106373MM	4" => 110 mm	0.59	2" => 63 mm	0.34	3.39	2.56	6.77
27NR1107573MM	4" => 110 mm	0.59	2" 1/2 => 75 mm	0.41	3.46	2.28	7.28
27NR1109073MM	4" => 110 mm	0.59	3" => 90 mm	0.48	3.39	3.31	7.48
27NR1256373MM	5" => 125 mm	0.67	2" => 63 mm	0.34	3.54	2.40	8.26

NIRON



ITEM: NR_73MM

C:\Vault_Temp\Disegn\ISchede Tecniche\Niron Grey inches\Butt Fusion Fittings\NI10330.dwg

DESC: MALE CONCENTRIC REDUCER - LONG SPIGOT SDR 7.3

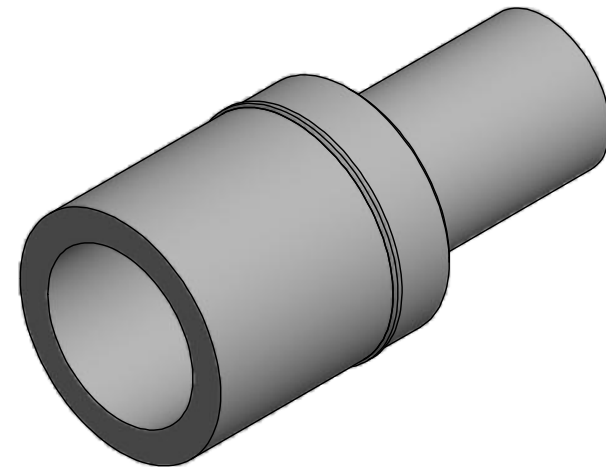
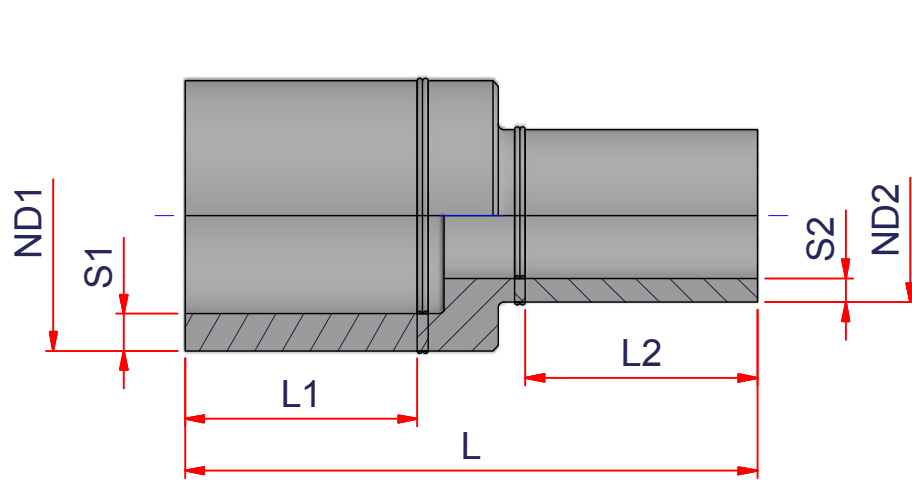


DRAWING No:
NI10330

SHEET OF	REV.
1 2	-5

www.nupiamericas.com - info@nupiamericas.com

All dimensions have to be considered in inches with 5% tolerance if not otherwise mentioned excluding values as per standard ASTM F2389



CODE	ND1	S1	ND2	S2	L1	L2	L
27NR1609073MMB	6" => 160 mm	0.86	3" => 90 mm	0.48	7.64	5.75	16.93
27NR16011073MMB	6" => 160 mm	0.86	4" => 110 mm	0.59	7.64	6.30	17.49
27NR16012573MMB	6" => 160 mm	0.86	5" => 125 mm	0.67	7.64	7.09	18.27
27NR20012573MMB	8" => 200 mm	1.08	5" => 125 mm	0.67	10.24	7.09	20.98
27NR20016073MMB	8" => 200 mm	1.08	6" => 160 mm	0.86	10.24	7.64	21.43
27NR25016073MMB	10" => 250 mm	1.35	6" => 160 mm	0.86	10.43	7.64	22.01
27NR25020073MMB	10" => 250 mm	1.35	8" => 200 mm	1.08	10.43	10.24	24.32
27NR31511073MMB	12" => 315 mm	1.70	4" => 110 mm	0.59	12.59	6.30	22.54
27NR31520073MMB	12" => 315 mm	1.70	8" => 200 mm	1.08	12.59	10.24	26.77
27NR31525073MMB	12" => 315 mm	1.70	10" => 250 mm	1.35	12.59	10.43	26.96



ITEM: NR_73MMB

C:\Vault_Temp\Disegn\ISchede Tecniche\Niron Grey inches\Butt Fusion Fittings\NI10330.dwg

DESC: MALE CONCENTRIC REDUCER - LONG SPIGOT SDR7.3



DRAWING No:
NI10330

SHEET OF	REV.
2 2	-5

www.nupiamericas.com - info@nupiamericas.com

All dimensions have to be considered in inches with 5% tolerance if not otherwise mentioned excluding values as per standard ASTM F2389