

CODE	ND	S	L1	L2	H1	H
27NT1763MM	2" => 63 mm	0.15	2.76	4.72	4.72	6.06
27NT1775MM	2" 1/2 => 75 mm	0.18	2.95	5.12	5.12	6.73
27NT1790MM	3" => 90 mm	0.21	3.54	5.85	5.85	7.76
27NT17110MM	4" => 110 mm	0.26	3.43	6.30	6.30	8.70
27NT17125MM	5" => 125 mm	0.29	3.74	7.28	7.28	9.84
27NT17160MM	6" => 160 mm	0.37	4.33	8.54	8.54	11.93
27NT17200MM	8" => 200 mm	0.47	4.61	9.84	9.84	14.06
27NT17250MM	10" => 250 mm	0.58	5.31	12.01	12.01	17.13
27NT17315MMA	12" => 315 mm	0.74	6.69	14.96	14.96	21.38



ITEM: NT17_MM

C:\Vault_Temp\Disegn\ISchede Tecniche\Niron Grey inches\Butt Fusion Fittings\NI10211.dwg

DESC: TEE - LONG SPIGOT SDR17

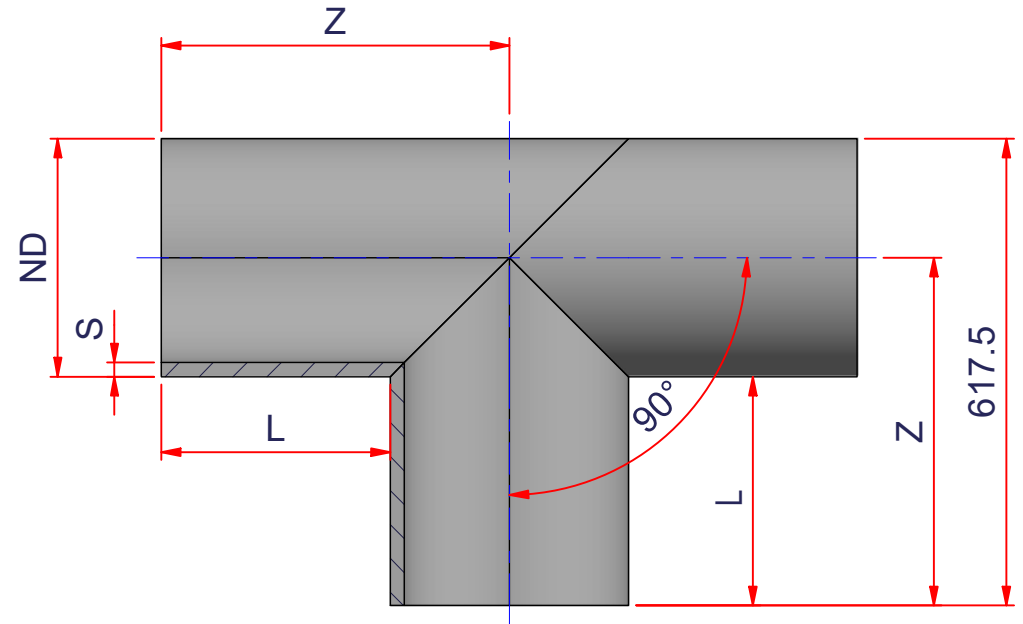


DRAWING No:
NI10211

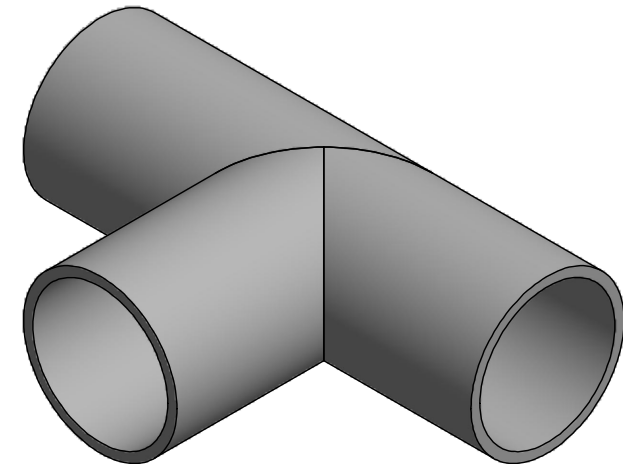
SHEET OF	REV.
1 3	-9

www.nupiamericas.com - info@nupiamericas.com

All dimensions have to be considered in inches with 5% tolerance if not otherwise mentioned excluding values as per standard ASTM F2389



CODE	ND	S	L	Z	H
27NT17315MMB	12" => 315 mm	0.74	11.81	18.11	24.31
27NT17355MMB	14" => 355 mm	0.83	11.81	18.90	25.89
27NT17400MMB	16" => 400 mm	0.93	11.81	19.69	27.56
27NT17450MMB	18" => 450 mm	1.05	11.81	20.67	29.53
27NT17500MMB	20" => 500 mm	1.17	13.78	23.62	33.46
27NT17560MMB	22" => 560 mm	1.31	13.78	24.80	35.83
27NT17630MMB	24" => 630 mm	1.47	13.78	26.18	38.58



NIRON



ITEM:
NT17_MMB

C:\Vault_Temp\Disegni\Schede Tecniche\Niron Grey inches\Butt Fusion Fittings\NI10211.dwg

DESC: TEE - LONG SPIGOT SDR17

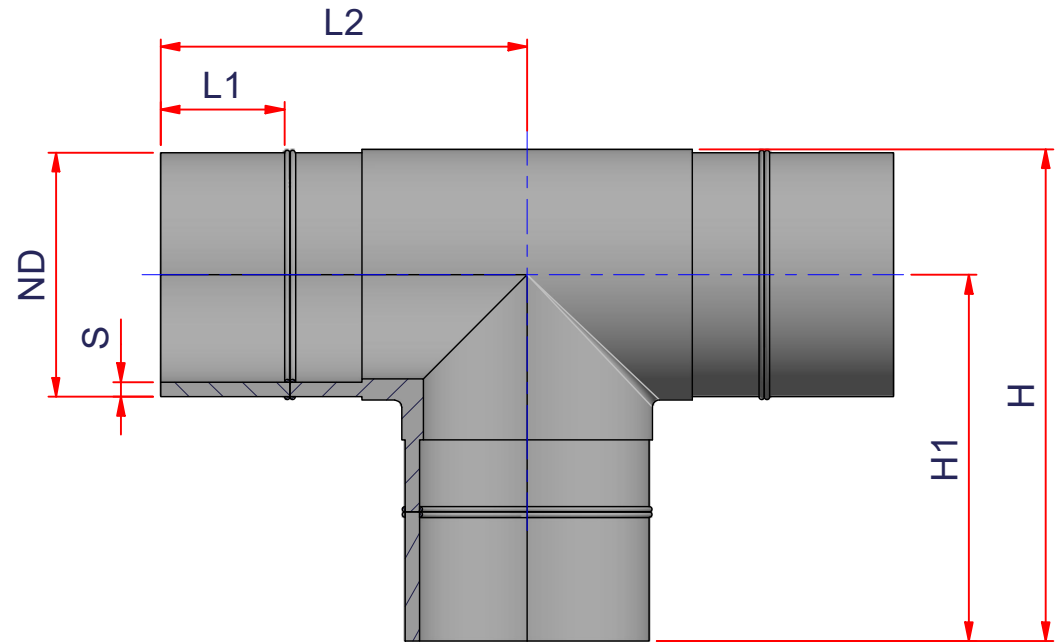


DRAWING No:
NI10211

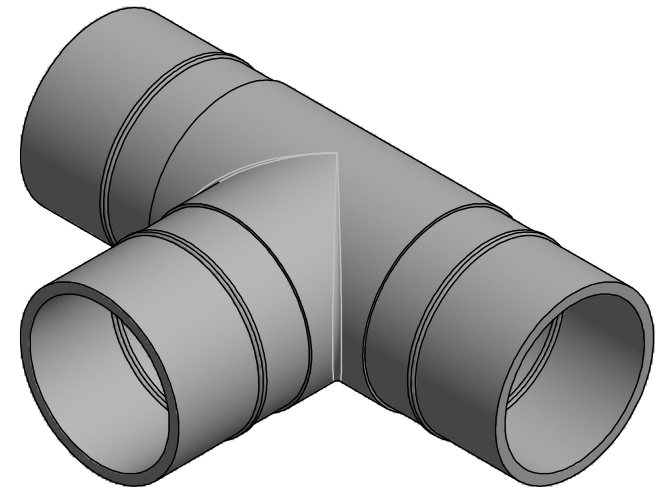
SHEET OF	REV.
2 3	-9

www.nupiamericas.com - info@nupiamericas.com

All dimensions have to be considered in inches with 5% tolerance if not otherwise mentioned excluding values as per standard ASTM F2389



CODE	ND	S	L1	L2	H1	H
27NT17355MMC	14" => 355 mm	0.83	7.09	20.98	20.98	28.17
27NT17400MMC	16" => 400 mm	0.93	7.87	22.05	22.05	30.19
27NT17450MMC	18" => 450 mm	1.05	8.66	26.77	26.77	35.85
27NT17500MMC	20" => 500 mm	1.16	9.84	27.56	27.56	34.45



NIRON



ITEM:
NT17_MMC

C:\Vault_Temp\Disegn\ISchede Tecniche\Niron Grey inches\Butt Fusion Fittings\NI10211.dwg

DESC: TEE - LONG SPIGOT SDR17



DRAWING No:
NI10211

SHEET OF	REV.
3 3	-9

www.nupiamericas.com - info@nupiamericas.com

All dimensions have to be considered in inches with 5% tolerance if not otherwise mentioned excluding values as per standard ASTM F2389