

CODE	ND1	ND2	S1	S2	L1	L2	L	H1	H
27NTR1716063M160	6" => 160 mm	2" => 63 mm	0.37	0.15	4.58	2.52	13.01	6.69	9.84
27NTR1716075M160	6" => 160 mm	2" 1/2 => 75 mm	0.37	0.18	4.58	3.23	13.71	7.01	10.16
27NTR1716090M160	6" => 160 mm	3" => 90 mm	0.37	0.21	4.58	2.95	14.18	6.89	10.04
27NTR17160110M160	6" => 160 mm	4" => 110 mm	0.37	0.26	4.58	3.35	15.35	7.09	10.24
27NTR17160125M160	6" => 160 mm	5" => 125 mm	0.37	0.29	4.58	3.94	16.05	8.27	11.42
27NTR1720063M200	8" => 200 mm	2" => 63 mm	0.47	0.15	5.48	2.52	14.81	7.48	11.42
27NTR1720075M200	8" => 200 mm	2" 1/2 => 75 mm	0.47	0.18	5.48	3.23	15.51	7.80	11.73
27NTR1720090M200	8" => 200 mm	3" => 90 mm	0.47	0.21	5.48	2.95	15.98	7.68	11.61
27NTR17200110M200	8" => 200 mm	4" => 110 mm	0.47	0.26	5.48	3.35	17.15	7.87	11.81
27NTR17200125M200	8" => 200 mm	5" => 125 mm	0.47	0.29	5.48	3.94	17.85	9.06	12.99
27NTR17200160M200	8" => 200 mm	6" => 160 mm	0.47	0.37	5.48	3.78	19.84	9.06	12.99



ITEM: NTR17_M

C:\Vault_Temp\Disegni\Schede Tecniche\Niron Grey inches\Butt Fusion Fittings\NI10242.dwg

DESC: MALE SIDE FUSION REDUCER TEE - LONG SPIGOT
SDR 17

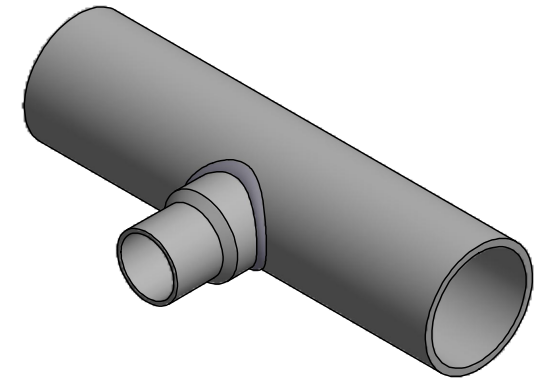
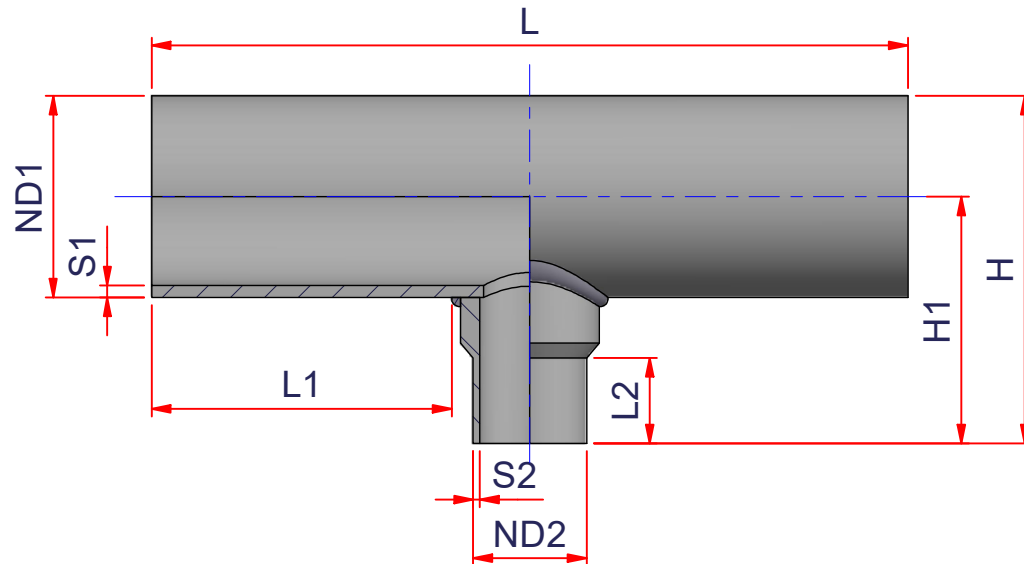


DRAWING No:
NI10242

SHEET OF	REV.
1 7	-8

www.nupiamericas.com - info@nupiamericas.com

All dimensions have to be considered in inches with 5% tolerance if not otherwise mentioned excluding values as per standard ASTM F2389



CODE	ND1	ND2	S1	S2	L1	L2	L	H1	H
27NTR1725063M250	10" => 250 mm	2" => 63 mm	0.58	0.15	6.26	2.52	16.37	8.46	13.39
27NTR1725075M250	10" => 250 mm	2" 1/2 => 75 mm	0.58	0.18	6.26	3.23	17.07	8.78	13.70
27NTR1725090M250	10" => 250 mm	3" => 90 mm	0.58	0.21	6.26	2.95	17.54	8.66	13.58
27NTR17250110M250	10" => 250 mm	4" => 110 mm	0.58	0.26	6.26	3.35	18.71	8.86	13.78
27NTR17250125M250	10" => 250 mm	5" => 125 mm	0.58	0.29	6.26	3.94	19.41	10.04	14.96
27NTR17250160M250	10" => 250 mm	6" => 160 mm	0.58	0.37	6.26	3.78	21.40	10.04	14.96
27NTR17250200M250	10" => 250 mm	8" => 200 mm	0.58	0.47	6.26	7.48	22.26	13.78	18.70
27NTR1731563M315	12" => 315 mm	2" => 63 mm	0.74	0.15	7.50	2.52	18.85	9.74	15.94
27NTR1731575M315	12" => 315 mm	2" 1/2 => 75 mm	0.74	0.18	7.50	3.23	19.55	10.06	16.26
27NTR1731590M315	12" => 315 mm	3" => 90 mm	0.74	0.21	7.50	2.95	20.02	9.94	16.14
27NTR17315110M315	12" => 315 mm	4" => 110 mm	0.74	0.26	7.50	3.35	21.19	10.14	16.34
27NTR17315125M315	12" => 315 mm	5" => 125 mm	0.74	0.29	7.50	3.94	21.89	11.32	17.52
27NTR17315160M315	12" => 315 mm	6" => 160 mm	0.74	0.37	7.50	3.78	23.88	11.32	17.52
27NTR17315200M315	12" => 315 mm	8" => 200 mm	0.74	0.47	7.50	7.48	24.74	15.06	21.26
27NTR17315250M315	12" => 315 mm	10" => 250 mm	0.74	0.58	7.50	7.48	26.87	15.06	21.26



ITEM: NTR17_M

C:\Vault_Temp\Disegni\Schede Tecniche\Niron Grey inches\Butt Fusion Fittings\NI10242.dwg

DESC: MALE SIDE FUSION REDUCER TEE - LONG SPIGOT
SDR 17

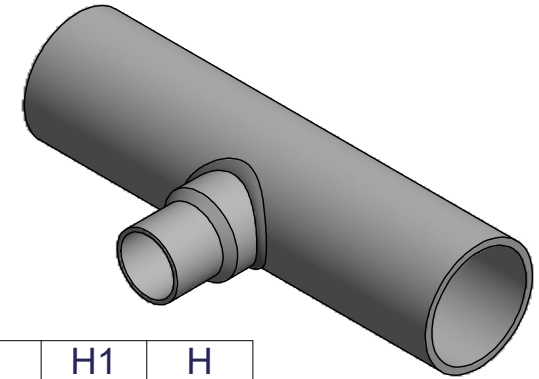
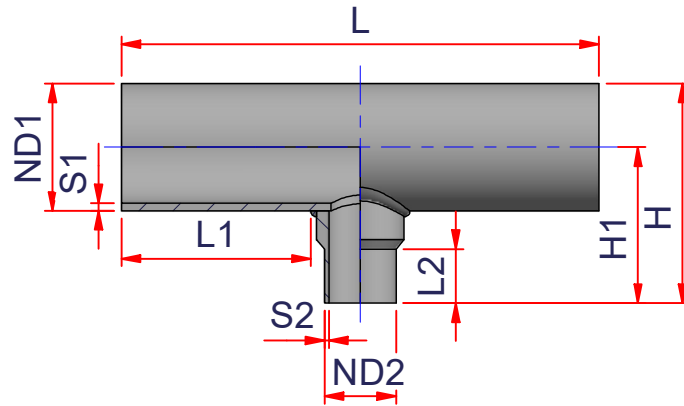


DRAWING No:
NI10242

SHEET OF REV.
2 7 -8

www.nupiamericas.com - info@nupiamericas.com

All dimensions have to be considered in inches with 5% tolerance if not otherwise mentioned excluding values as per standard ASTM F2389



CODE	ND1	ND2	S1	S2	L1	L2	L	H1	H
27NTR1735563M355	14" => 355 mm	2" => 63 mm	0.83	0.15	7.82	2.52	19.49	10.53	17.52
27NTR1735575M355	14" => 355 mm	2" 1/2 => 75 mm	0.83	0.18	7.82	3.23	20.19	10.85	17.83
27NTR1735590M355	14" => 355 mm	3" => 90 mm	0.83	0.21	7.82	2.95	20.66	10.73	17.72
27NTR17355110M355	14" => 355 mm	4" => 110 mm	0.83	0.26	7.82	3.35	21.83	10.93	17.91
27NTR17355125M355	14" => 355 mm	5" => 125 mm	0.83	0.29	7.82	3.94	22.53	12.11	19.09
27NTR17355160M355	14" => 355 mm	6" => 160 mm	0.83	0.37	7.82	3.78	24.52	12.11	19.09
27NTR17355200M355	14" => 355 mm	8" => 200 mm	0.83	0.47	7.82	7.48	25.38	15.85	22.83
27NTR17355250M355	14" => 355 mm	10" => 250 mm	0.83	0.58	7.82	7.48	27.51	15.85	22.83
27NTR17355315M355	14" => 355 mm	12" => 315 mm	0.83	0.74	7.82	9.45	31.50	17.81	24.80
27NTR1740063M400	16" => 400 mm	2" => 63 mm	0.93	0.15	9.45	2.52	30.36	11.42	19.29
27NTR1740075M400	16" => 400 mm	2" 1/2 => 75 mm	0.93	0.18	9.45	3.23	23.45	11.73	19.61
27NTR1740090M400	16" => 400 mm	3" => 90 mm	0.93	0.21	9.45	2.95	23.92	11.61	19.49
27NTR17400110M400	16" => 400 mm	4" => 110 mm	0.93	0.26	9.45	3.35	25.09	11.81	19.69
27NTR17400125M400	16" => 400 mm	5" => 125 mm	0.93	0.29	9.45	3.94	25.79	12.99	20.87
27NTR17400160M400	16" => 400 mm	6" => 160 mm	0.93	0.37	9.45	3.78	27.78	12.99	20.87
27NTR17400200M400	16" => 400 mm	8" => 200 mm	0.93	0.47	9.45	7.48	28.64	16.73	24.61
27NTR17400250M400	16" => 400 mm	10" => 250 mm	0.93	0.58	9.45	7.48	30.77	16.73	24.61
27NTR17400315M400	16" => 400 mm	12" => 315 mm	0.93	0.74	9.45	9.45	33.62	18.70	26.57
27NTR17400355M400	16" => 400 mm	14" => 355 mm	0.93	0.82	9.45	9.45	35.08	18.50	26.38



ITEM: NTR17_M

C:\Vault_Temp\Disegn\Schede Tecniche\Niron Grey inches\Butt Fusion Fittings\NI10242.dwg

DESC: MALE SIDE FUSION REDUCER TEE - LONG SPIGOT SDR 17

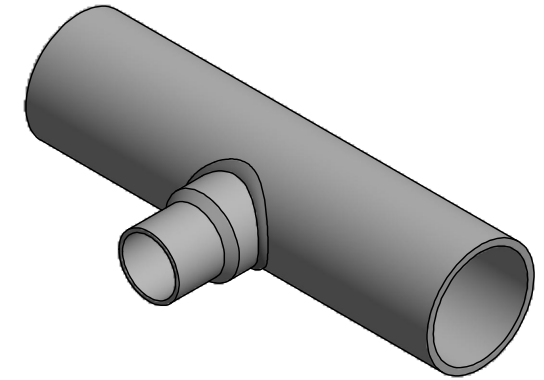
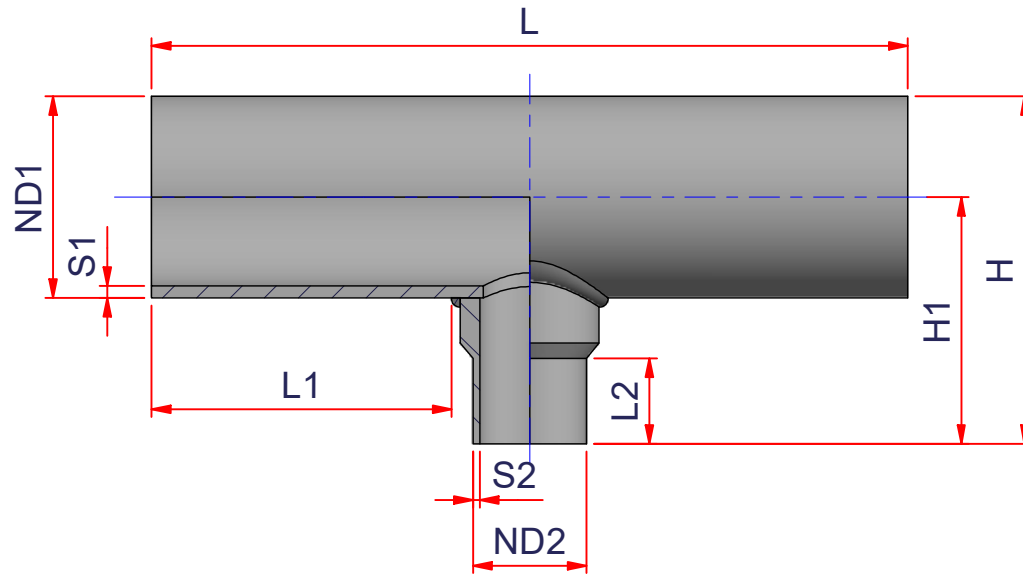


DRAWING No: NI10242

SHEET OF 3 7 REV. -8

www.nupiamericas.com - info@nupiamericas.com

All dimensions have to be considered in inches with 5% tolerance if not otherwise mentioned excluding values as per standard ASTM F2389



CODE	ND1	ND2	S1	S2	L1	L2	L	H1	H
27NTR1745063M450	18" => 450 mm	2" => 63 mm	1.05	0.15	9.98	2.52	23.81	12.40	21.26
27NTR1745075M450	18" => 450 mm	2" 1/2 => 75 mm	1.05	0.18	9.98	3.23	24.51	12.72	21.57
27NTR1745090M450	18" => 450 mm	3" => 90 mm	1.05	0.21	9.98	2.95	24.98	12.60	21.46
27NTR17450110M450	18" => 450 mm	4" => 110 mm	1.05	0.26	9.98	3.35	26.15	12.80	21.65
27NTR17450125M450	18" => 450 mm	5" => 125 mm	1.05	0.29	9.98	3.94	26.85	13.98	22.83
27NTR17450160M450	18" => 450 mm	6" => 160 mm	1.05	0.37	9.98	3.78	28.84	13.98	22.83
27NTR17450200M450	18" => 450 mm	8" => 200 mm	1.05	0.47	9.98	7.48	29.70	17.72	26.57
27NTR17450250M450	18" => 450 mm	10" => 250 mm	1.05	0.58	9.98	7.48	31.83	17.72	26.57
27NTR17450315M450	18" => 450 mm	12" => 315 mm	1.05	0.74	9.98	9.45	34.68	19.69	28.54
27NTR17450355M450	18" => 450 mm	14" => 355 mm	1.05	0.83	9.98	9.45	36.14	19.49	28.35
27NTR17450400M450	18" => 450 mm	16" => 400 mm	1.05	0.93	9.98	9.45	38.15	20.08	28.94



ITEM: NTR17_M

C:\Vault_Temp\Disegni\Schede Tecniche\Niron Grey inches\Butt Fusion Fittings\NI10242.dwg

DESC: MALE SIDE FUSION REDUCER TEE - LONG SPIGOT SDR 17

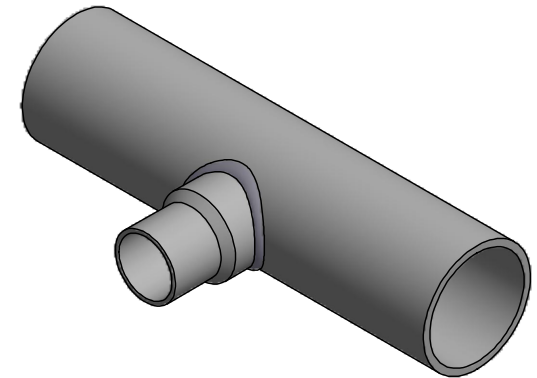
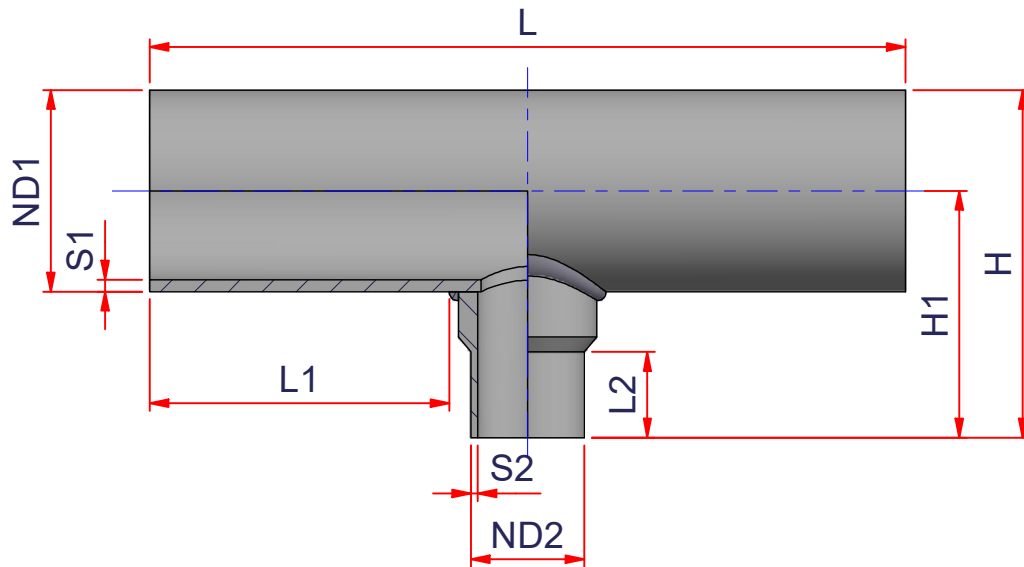


DRAWING No: NI10242

SHEET OF 4 7 REV. -8

www.nupiamericas.com - info@nupiamericas.com

All dimensions have to be considered in inches with 5% tolerance if not otherwise mentioned excluding values as per standard ASTM F2389



CODE	ND1	ND2	S1	S2	L1	L2	L	H1	H
27NTR1750063M500	20" => 500 mm	2" => 63 mm	1.17	0.15	10.78	2.52	25.41	13.98	24.41
27NTR1750075M500	20" => 500 mm	2" 1/2 => 75 mm	1.17	0.18	10.78	3.23	26.11	14.29	24.72
27NTR1750090M500	20" => 500 mm	3" => 90 mm	1.17	0.21	10.78	2.95	26.58	14.17	24.61
27NTR17500110M500	20" => 500 mm	4" => 110 mm	1.17	0.26	10.78	3.35	27.75	14.37	24.80
27NTR17500125M500	20" => 500 mm	5" => 125 mm	1.17	0.29	10.78	3.94	28.45	15.55	25.98
27NTR17500160M500	20" => 500 mm	6" => 160 mm	1.17	0.37	10.78	3.78	30.44	15.55	25.98
27NTR17500200M500	20" => 500 mm	8" => 200 mm	1.17	0.47	10.78	7.48	31.30	19.29	29.72
27NTR17500250M500	20" => 500 mm	10" => 250 mm	1.17	0.58	10.78	7.48	33.43	19.29	29.72
27NTR17500315M500	20" => 500 mm	12" => 315 mm	1.17	0.74	10.78	9.45	36.28	21.26	31.69
27NTR17500355M500	20" => 500 mm	14" => 355 mm	1.17	0.83	10.78	9.45	37.74	21.06	31.50
27NTR17500400M500	20" => 500 mm	16" => 400 mm	1.17	0.93	10.78	9.45	39.75	21.65	32.09
27NTR17500450M500	20" => 500 mm	18" => 450 mm	1.17	1.05	10.78	9.45	41.91	21.65	32.09



ITEM: NTR17_M

C:\Vault_Temp\Disegn\ISchede Tecniche\Niron Grey inches\Butt Fusion Fittings\NI10242.dwg

DESC: MALE SIDE FUSION REDUCER TEE - LONG SPIGOT
SDR 17

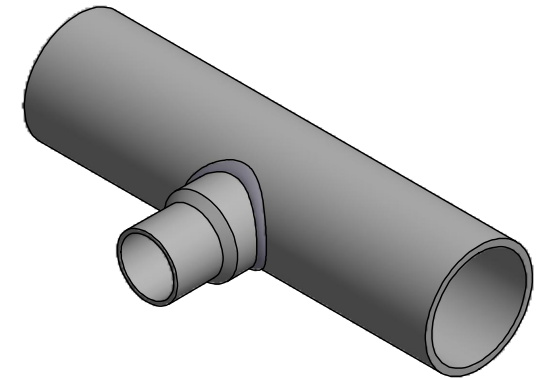
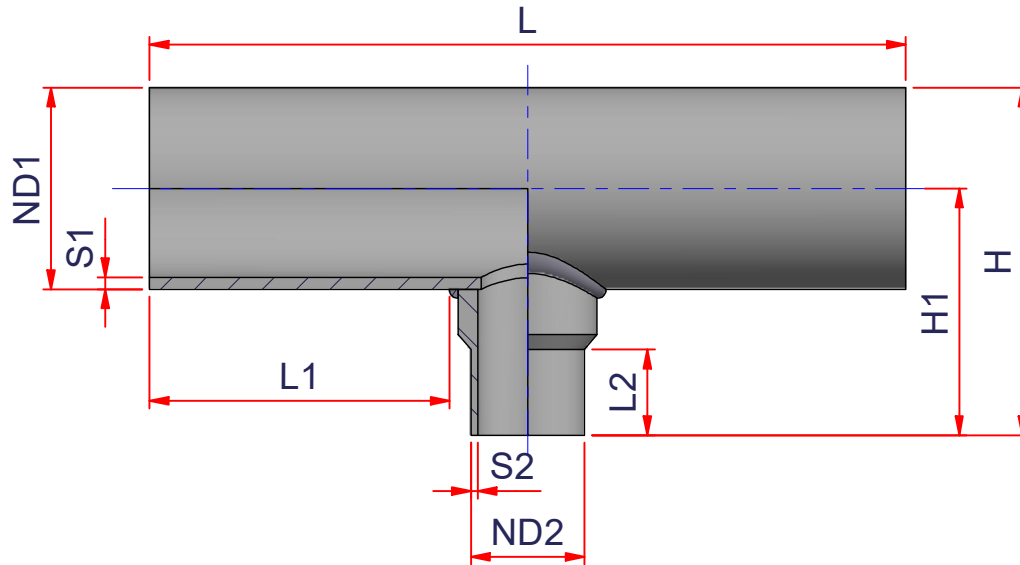


DRAWING No:
NI10242

SHEET OF	REV.
5 7	-8

www.nupiamericas.com - info@nupiamericas.com

All dimensions have to be considered in inches with 5% tolerance if not otherwise mentioned excluding values as per standard ASTM F2389



CODE	ND1	ND2	S1	S2	L1	L2	L	H1	H
27NTR1756063M560	22" => 560 mm	2" => 63 mm	1.31	0.15	8.62	2.52	25.41	14.57	25.59
27NTR1756075M560	22" => 560 mm	2" 1/2 => 75 mm	1.31	0.18	8.62	3.23	26.11	14.88	25.91
27NTR1756090M560	22" => 560 mm	3" => 90 mm	1.31	0.21	8.62	2.95	26.58	14.76	25.79
27NTR17560110M560	22" => 560 mm	4" => 110 mm	1.31	0.26	8.62	3.35	27.75	14.96	25.98
27NTR17560125M560	22" => 560 mm	5" => 125 mm	1.31	0.29	8.62	3.94	28.45	16.14	27.17
27NTR17560160M560	22" => 560 mm	6" => 160 mm	1.31	0.37	8.62	3.78	30.44	16.14	27.17
27NTR17560200M560	22" => 560 mm	8" => 200 mm	1.31	0.47	8.62	7.48	31.30	19.88	30.91
27NTR17560250M560	22" => 560 mm	10" => 250 mm	1.31	0.58	8.62	7.48	33.43	19.88	30.91
27NTR17560315M560	22" => 560 mm	12" => 315 mm	1.31	0.74	8.62	9.45	36.28	21.85	32.87
27NTR17560355M560	22" => 560 mm	14" => 355 mm	1.31	0.83	8.62	9.45	37.74	21.65	32.68
27NTR17560400M560	22" => 560 mm	16" => 400 mm	1.31	0.93	8.62	9.45	39.75	22.24	33.27



ITEM: NTR17_M

C:\Vault_Temp\Disegni\Schede Tecniche\Niron Grey inches\Butt Fusion Fittings\NI10242.dwg

DESC: MALE SIDE FUSION REDUCER TEE - LONG SPIGOT
SDR 17

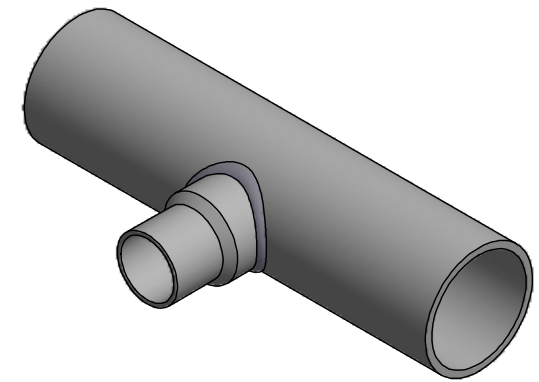
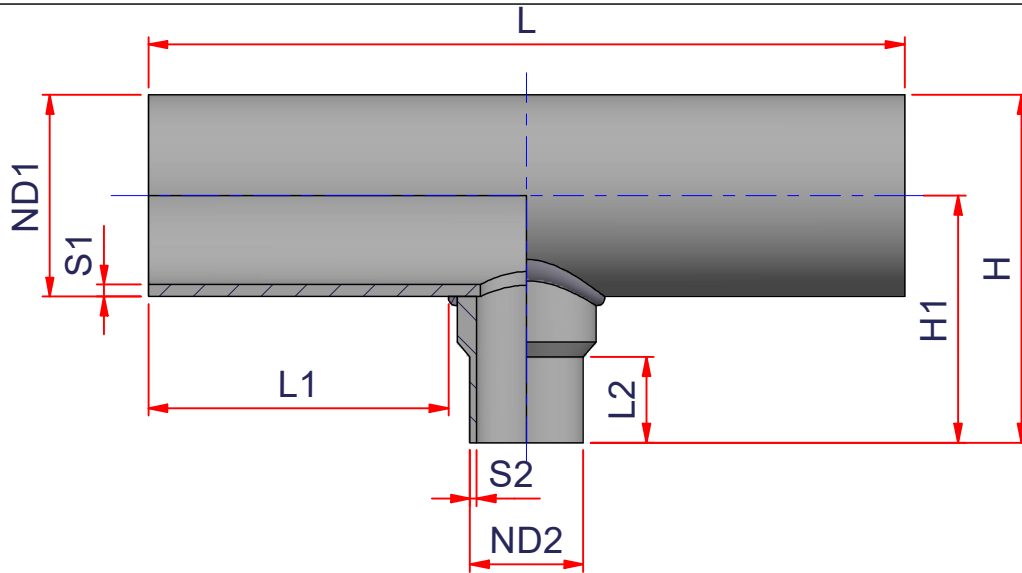


DRAWING No:
NI10242

SHEET OF	REV.
6 7	-8

www.nupiamericas.com - info@nupiamericas.com

All dimensions have to be considered in inches with 5% tolerance if not otherwise mentioned excluding values as per standard ASTM F2389



CODE	ND1	ND2	S1	S2	L1	L2	L	H1	H
27NTR1763063M630	24" => 630 mm	2" => 63 mm	1.47	0.15	11.69	2.52	27.23	15.94	28.35
27NTR1763075M630	24" => 630 mm	2" 1/2 => 75 mm	1.47	0.18	11.69	3.23	27.93	16.26	28.66
27NTR1763090M630	24" => 630 mm	3" => 90 mm	1.47	0.21	11.69	2.95	28.40	16.14	28.54
27NTR17630110M630	24" => 630 mm	4" => 110 mm	1.47	0.26	11.69	3.35	29.57	16.34	28.74
27NTR17630125M630	24" => 630 mm	5" => 125 mm	1.47	0.29	11.69	3.94	30.27	17.52	29.92
27NTR17630160M630	24" => 630 mm	6" => 160 mm	1.47	0.37	11.69	3.78	32.26	17.52	29.92
27NTR17630200M630	24" => 630 mm	8" => 200 mm	1.47	0.47	11.69	7.48	33.12	21.26	33.66
27NTR17630250M630	24" => 630 mm	10" => 250 mm	1.47	0.58	11.69	7.48	35.25	21.26	33.66
27NTR17630315M630	24" => 630 mm	12" => 315 mm	1.47	0.74	11.69	9.45	38.10	23.23	35.63
27NTR17630355M630	24" => 630 mm	14" => 355 mm	1.47	0.83	11.69	9.45	39.56	23.03	35.43
27NTR17630400M630	24" => 630 mm	16" => 400 mm	1.47	0.93	11.69	9.45	41.57	23.62	36.02
27NTR17630450M630	24" => 630 mm	18" => 450 mm	1.47	1.05	11.69	9.45	43.73	23.62	36.02
27NTR17630500M630	24" => 630 mm	20" => 500 mm	1.47	1.17	11.69	9.45	45.90	23.62	36.02
27NTR17630560M630	24" => 630 mm	22" => 560 mm	1.47	1.31	11.69	9.45	48.50	23.62	36.02



ITEM: **NTR17_M**

C:\Vault_Temp\Disegni\Schede Tecniche\Niron Grey inches\Butt Fusion Fittings\NI10242.dwg

DESC: MALE SIDE FUSION REDUCER TEE - LONG SPIGOT
SDR 17



DRAWING No:
NI10242

SHEET OF	REV.
7 7	-8

www.nupiamericas.com - info@nupiamericas.com

All dimensions have to be considered in inches with 5% tolerance if not otherwise mentioned excluding values as per standard ASTM F2389