

CODE	ND	S	L1	L2	H
27NG901163MM	2" => 63 mm	0.23	2.76	4.72	6.06
27NG901175MM	2" 1/2 => 75 mm	0.27	2.95	5.12	6.73
27NG901190MM	3" => 90 mm	0.32	3.54	5.85	7.76
27NG9011110MM	4" => 110 mm	0.39	3.43	6.30	8.70
27NG9011125MM	5" => 125 mm	0.45	3.74	7.24	9.84
27NG9011160MM	6" => 160 mm	0.58	4.33	8.54	11.93
27NG9011200MM	8" => 200 mm	0.72	4.61	9.84	14.04
27NG9011250MM	10" => 250 mm	0.89	5.31	12.00	17.13
27NG9011250MMA	12" => 315 mm	1.13	6.81	14.69	20.87

NIRON



ITEM:
NG9011_MM

C:\Vault_Temp\Disegn\ISchede Tecniche\Niron Grey inches\Butt Fusion Fittings\NI10206.dwg

DESC: 90° ELBOW - LONG SPIGOT SDR 11



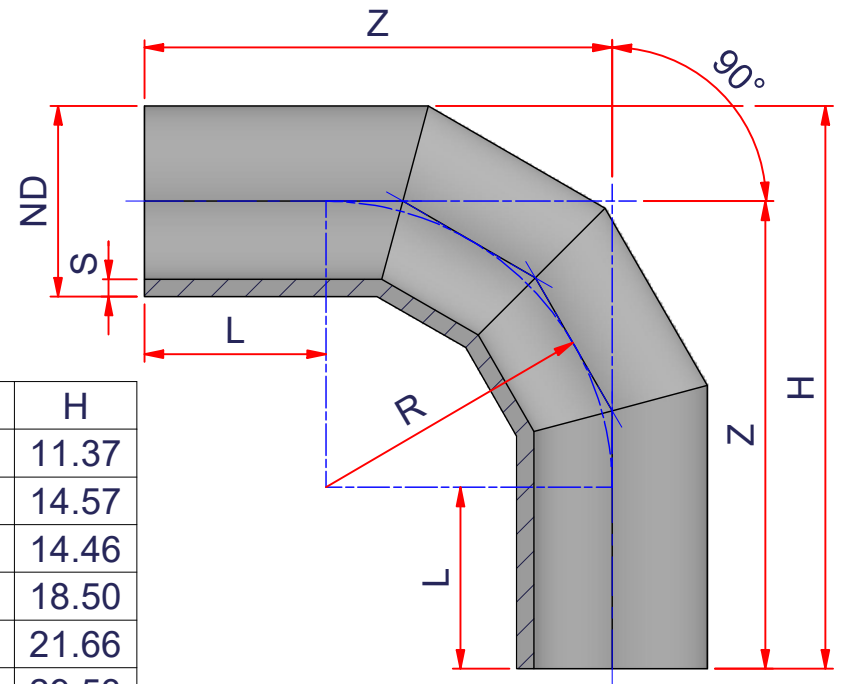
DRAWING No:
NI10206

SHEET OF
1 3

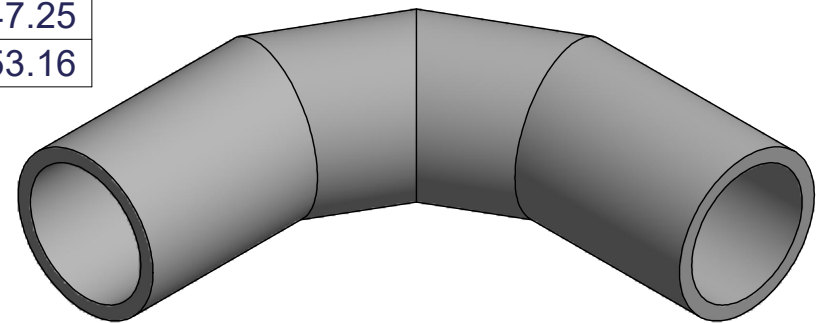
REV.
-9

www.nupiamericas.com - info@nupiamericas.com

All dimensions have to be considered in inches with 5% tolerance if not otherwise mentioned excluding values as per standard ASTM F2389



CODE	ND	S	L	Z	R	H
27NG901190MMB	3" => 90 mm	0.32	4.33	9.65	5.31	11.37
27NG9011110MMB	4" => 110 mm	0.39	5.91	12.40	6.50	14.57
27NG9011125MMB	5" => 125 mm	0.45	4.92	12.00	7.09	14.46
27NG9011160MMB	6" => 160 mm	0.58	5.91	15.35	9.45	18.50
27NG9011200MMB	8" => 200 mm	0.72	5.91	17.72	11.81	21.66
27NG9011250MMB	10" => 250 mm	0.89	9.84	24.61	14.76	29.53
27NG9011315MMB	12" => 315 mm	1.13	11.81	30.43	18.62	36.63
27NG9011355MMB	14" => 355 mm	1.27	11.81	32.80	20.98	39.79
27NG9011400MMB	16" => 400 mm	1.43	11.81	35.43	23.62	43.31
27NG9011450MMB	18" => 450 mm	1.61	11.81	38.39	26.57	47.25
27NG9011500MMB	20" => 500 mm	1.79	13.78	43.31	29.53	53.16



ITEM:
NG9011_MMB

C:\Vault_Temp\Disegn\ISchede Tecniche\Niron Grey inches\Butt Fusion Fittings\NI10206.dwg

DESC: 90° ELBOW - LONG SPIGOT SDR 11

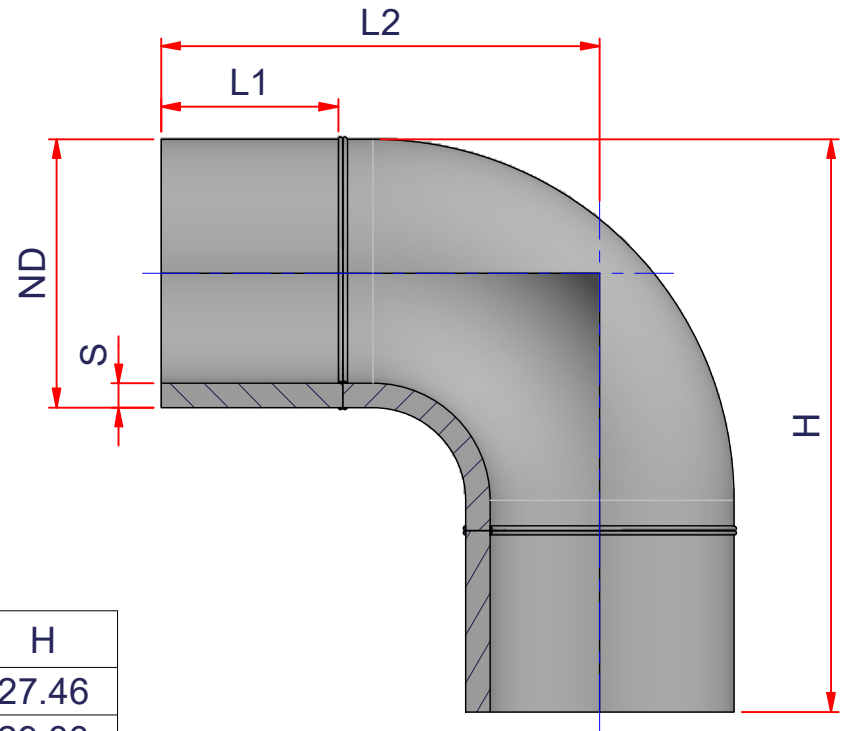


DRAWING No:
NI10206

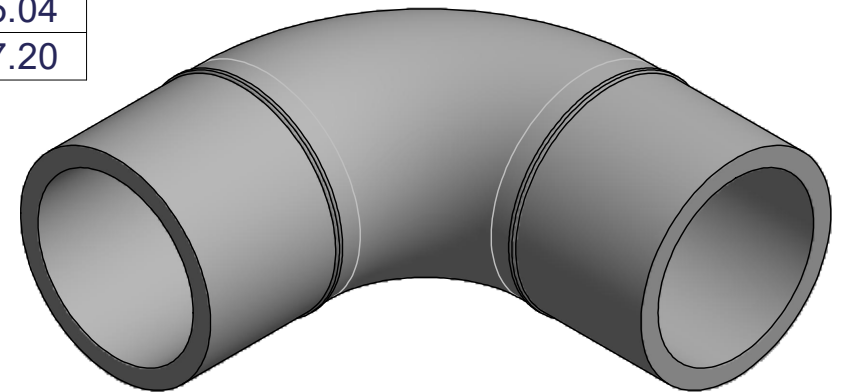
SHEET OF	REV.
2 3	-9

www.nupiamericas.com - info@nupiamericas.com

All dimensions have to be considered in inches with 5% tolerance if not otherwise mentioned excluding values as per standard ASTM F2389



CODE	ND	S	L1	L2	H
27NG9011355MMC	14" => 355 mm	1.27	7.09	20.47	27.46
27NG9011400MMC	16" => 400 mm	1.43	7.87	21.46	29.33
27NG9011450MMC	18" => 450 mm	1.61	8.66	26.18	35.04
27NG9011500MMC	20" => 500 mm	1.79	9.84	27.36	37.20



NIRON



ITEM:
NG9011_MMC

C:\Vault_Temp\Disegn\ISchede Tecniche\Niron Grey inches\Butt Fusion Fittings\NI10206.dwg

DESC: 90° ELBOW - LONG SPIGOT SDR 11



DRAWING No:
NI10206

SHEET OF REV.
3 3 -9

www.nupiamericas.com - info@nupiamericas.com

All dimensions have to be considered in inches with 5% tolerance if not otherwise mentioned excluding values as per standard ASTM F2389