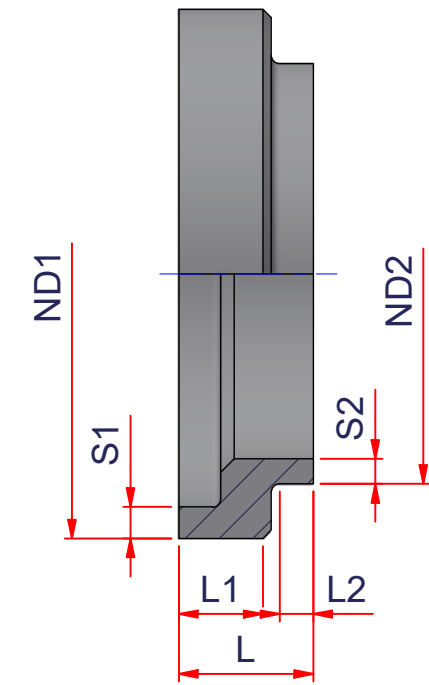


CODE	Weight lbs/pc	Volume ft^3/pc	ND1	S1	ND2	S2	L1	L2	L
27NRCC25012517MM	3.662	0.0359	10" => 250 mm	0.58	4" => 125 mm	0.29	2.07	0.69	3.15
27NRCC31516017MM	6.315	0.0452	12" => 315 mm	0.74	6" => 160 mm	0.37	2.17	0.59	3.15
27NRCC35520017MM	7.898	0.051	14" => 355 mm	0.83	8" => 200 mm	0.47	2.2	0.55	3.15
27NRCC35525017MM	6.739	0.051	14" => 355 mm	0.83	10" => 250 mm	0.58	2.2	0.55	3.15
27NRCC35531517MM	4.44	0.051	14" => 355 mm	0.83	12" => 315 mm	0.74	1.97	0.79	3.15
27NRCC40025017MM	9.159	0.0574	16" => 400 mm	0.93	10" => 250 mm	0.58	2.17	0.59	3.15
27NRCC40031517MM	7.409	0.0574	16" => 400 mm	0.93	12" => 315 mm	0.74	2.17	0.59	3.15
27NRCC40035517MM	5.864	0.0574	16" => 400 mm	0.93	14" => 355 mm	0.83	2.07	0.69	3.15
27NRCC45031517MM	13.445	0.0808	18" => 450 mm	1.05	12" => 315 mm	0.74	2.8	0.75	3.94
27NRCC45035517MM	11.788	0.0808	18" => 450 mm	1.05	14" => 355 mm	0.83	2.8	0.75	3.94
27NRCC45040017MM	9.679	0.0808	18" => 450 mm	1.05	16" => 400 mm	0.93	2.8	0.75	3.94
27NRCC50035517MM	15.318	0.0898	20" => 500 mm	1.17	14" => 355 mm	0.83	2.68	0.87	3.94
27NRCC50040017MM	13.5	0.0898	20" => 500 mm	1.17	16" => 400 mm	0.93	2.68	0.87	3.94
27NRCC50045017MM	11.267	0.0898	20" => 500 mm	1.17	18" => 450 mm	1.05	2.68	0.87	3.94
27NRCC56040017MM	21.937	0.1005	22" => 560 mm	1.31	16" => 400 mm	0.93	2.85	0.57	3.94
27NRCC56045017MM	17.494	0.1005	22" => 560 mm	1.31	18" => 450 mm	1.05	2.76	0.79	3.94
27NRCC56050017MM	14.731	0.1005	22" => 560 mm	1.31	20" => 500 mm	1.17	2.76	0.79	3.94
27NRCC63045017MM	29.036	0.1355	24" => 630 mm	1.47	18" => 450 mm	1.05	3.27	1.06	4.72
27NRCC63050017MM	26.036	0.1355	24" => 630 mm	1.47	20" => 500 mm	1.17	3.27	1.06	4.72
27NRCC63056017MM	21.992	0.1355	24" => 630 mm	1.47	22" => 560 mm	1.31	3.27	1.06	4.72



NIRON



ITEM:
NRCC_17MM

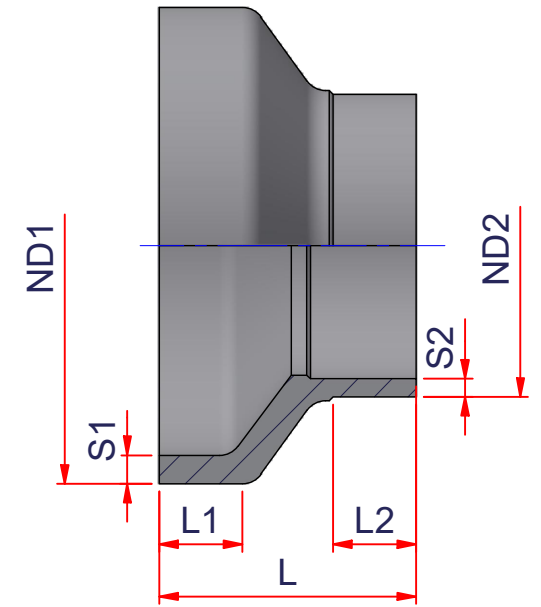
DESC: MALE CONCENTRIC REDUCER - SHORT SPIGOT
SDR17

C:\Vault_Temp\Disegni\Schede Tecniche\Niron Grey inches\Butt Fusion Fittings\NI10246.dwg

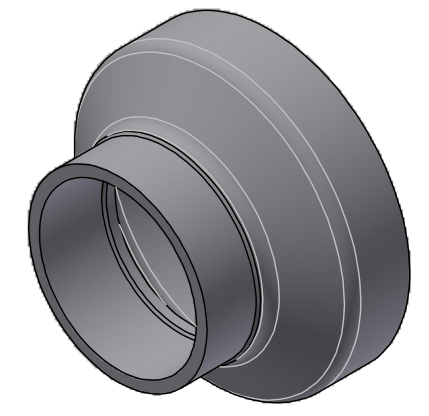


DRAWING No:
NI10246

SHEET OF REV.
1 2 -10



CODE	Weight lbs/pc	Volume ft ³ /pc	ND1	S1	ND2	S2	L1	L2	L
27NRCC25016017MM	2.815	0.0664	10" => 250 mm	0.58	6" => 160 mm	0.37	2.17	1.97	5.83
27NRCC25020017MM	2.935	0.0669	10" => 250 mm	0.58	8" => 200 mm	0.47	2.17	2.17	5.87
27NRCC31520017MM	5.064	0.0939	12" => 315 mm	0.74	8" => 200 mm	0.47	2.44	2.17	6.54
27NRCC31525017MM	4.875	0.0853	12" => 315 mm	0.74	10" => 250 mm	0.58	2.5	2.28	5.94



ITEM:
NRCC_17MM

DESC: MALE CONCENTRIC REDUCER - SHORT SPIGOT
SDR17



DRAWING No:
NI10246
SHEET OF 2 2
REV. -10

C:\Vault_Temp\Disegni\Schede Tecniche\Niron Grey inches\Butt Fusion Fittings\NI10246.dwg

www.nupiamericas.com - info@nupiamericas.com

All dimensions have to be considered in inches with 5% tolerance if not otherwise mentioned excluding values as per standard ASTM F2389