

CODE	ND (PP)	OD	ID	PCD	T	holes	N° holes
00FLAACPP321	1" => 32 mm	4.25	1.73	3.13	0.63	0.63	4
00FLAACPP40114	1" 1/4 => 40 mm	4.61	2.05	3.50	0.63	0.63	4
00FLAACPP50112	1" 1/2 => 50 mm	5.00	2.44	3.88	0.71	0.63	4
00FLAACPP632	2" => 63 mm	5.98	3.07	4.74	0.71	0.79	4
00FLAACPP75212	2" 1/2 => 75 mm	7.01	3.62	5.49	0.71	0.79	4
00FLAACPP903	3" => 90 mm	7.52	4.33	5.98	0.79	0.79	4
00FLAACPP1104	4" => 110 mm	9.00	5.24	7.50	0.79	0.79	8
00FLAACPP1254	5" => 125 mm	9.00	5.83	7.50	0.79	0.75	8
00FLAACPP1606	6" => 160 mm	10.98	7.01	9.49	1.02	0.91	8
00FLAACPP2008	8" => 200 mm	13.50	9.25	11.75	1.02	0.91	8
00FLAACPP25010	10" => 250 mm	15.98	11.42	14.25	1.18	1.00	12
00FLAACPP63024	24" => 630 mm	32.00	25.08	29.50	1.81	1.37	20



ITEM:
FLAACPP

C:\Vault_Templ\Disegn\ISchede Tecniche\Niron Grey
inches\Accessories\NI10199.dwg

DESC: PP ENCAPSULATED BACKING RING
ANSI/ASA 150

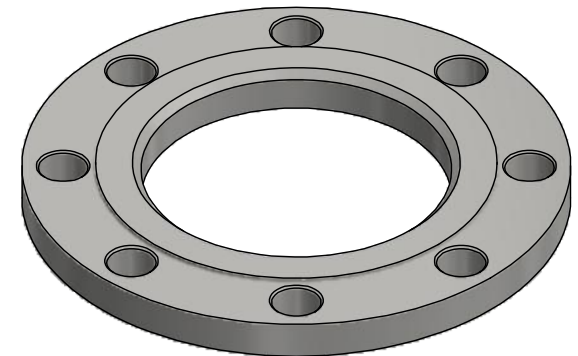
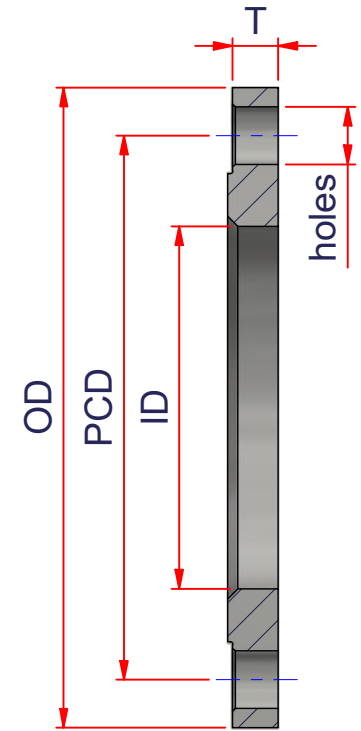


DRAWING No:
NI10199

SHEET OF	REV.
1 2	-6

www.nupiamericas.com - info@nupiamericas.com

All dimensions have to be considered in inches with 5% tolerance if not otherwise mentioned excluding values as per standard ASTM F2389



CODE	ND (PP)	OD	ID	PCD	T	holes	N° holes
00FLAACPP1255A5	5" => 125 mm	10.00	5.66	8.50	0.79	0.91	8

NIRON



ITEM:
FLAACPP_A5

C:\Vault_Templ\Disegn\ISchede Tecniche\Niron Grey
inches\Accessories\NI10199.dwg

DESC: PP ENCAPSULATED BACKING RING
ANSI/ASA 150



DRAWING No:
NI10199

SHEET OF	REV.
2 2	-6

www.nupiamericas.com - info@nupiamericas.com

All dimensions have to be considered in inches with 5% tolerance if not otherwise mentioned excluding values as per standard ASTM F2389