

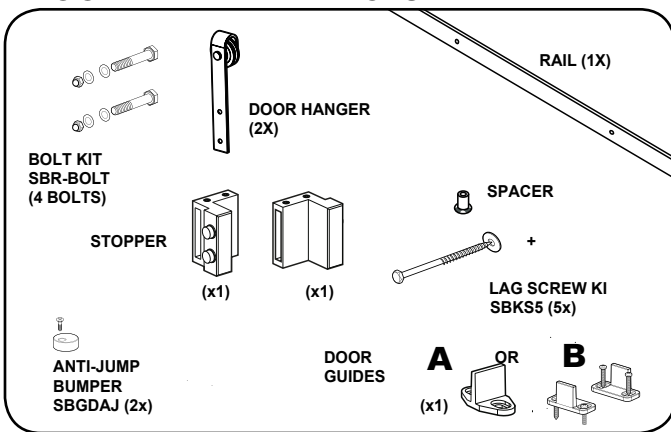
HOW TO INSTALL YOUR BARN DOOR

BARN DOOR RAIL SYSTEM

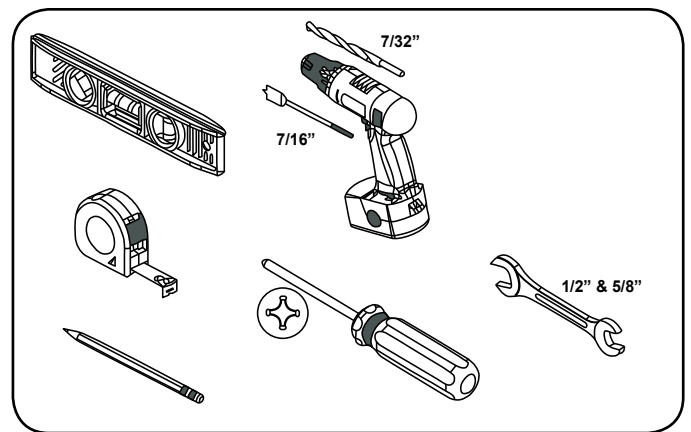
IMPORTANT - PLEASE READ ALL INSTRUCTIONS BEFORE YOU BEGIN INSTALLATION.

- These instructions are for a single door installation.
- Identify secure points on the wall to attach the rail before starting your installation.
- It is necessary that all the lag screws used to install the rail are secured to the wall stud (2 x 3 structure). Use a wood plank secured to the wall stud if you are unable to fix all lag screws in wall stud.

DOOR AND HANDLE INCLUDED

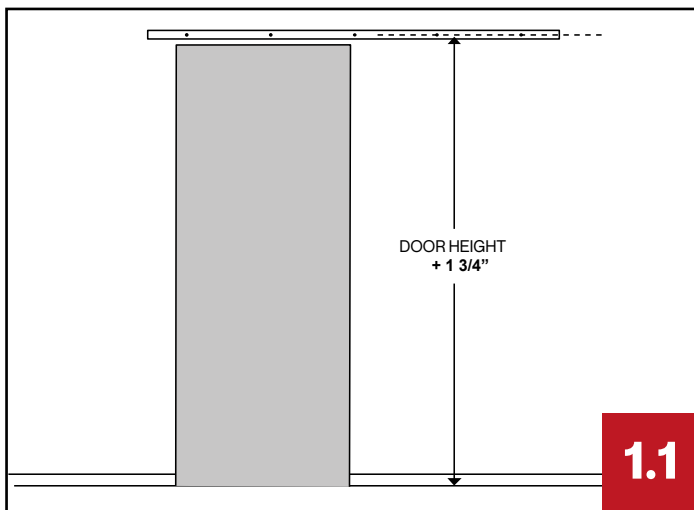


Parts included



Recommended tools

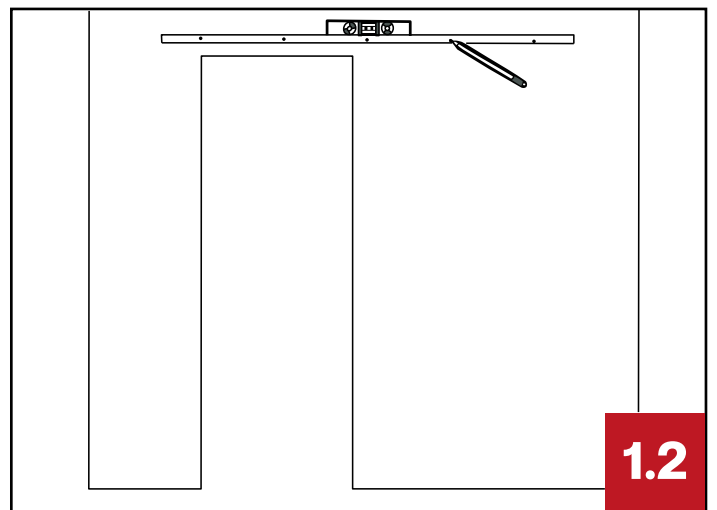
1. Mounting the rail



1.1

From the floor, add 13/4" to the height of the door being installed, to determine the center height of the rail.

Ex: Door 84" + 13/4" = 85 3/4" center of the rail from the floor.



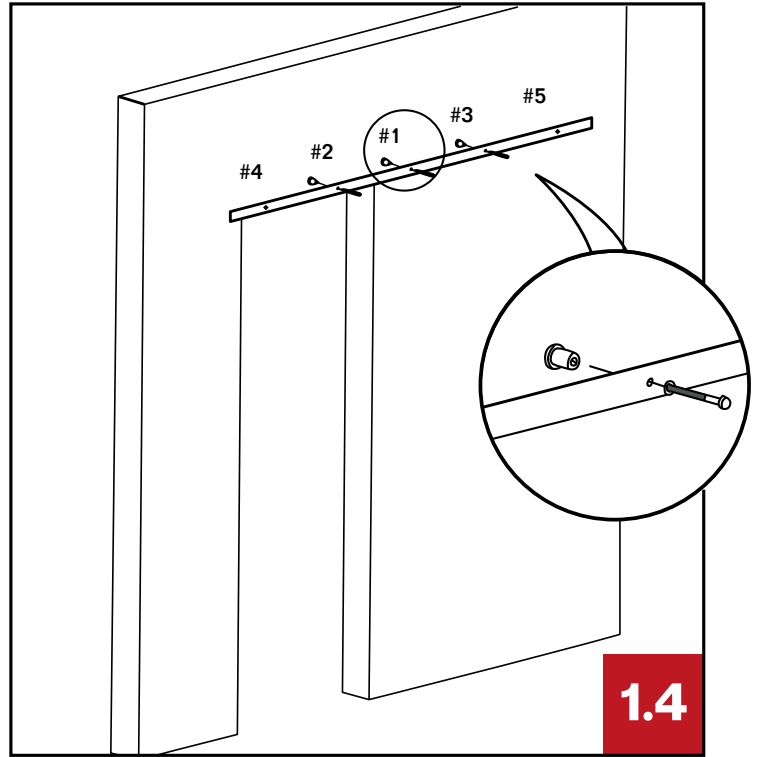
1.2

CAUTION if the rail is not installed level, the door may slide open or closed without warning.

Mark the location for each lag screw.



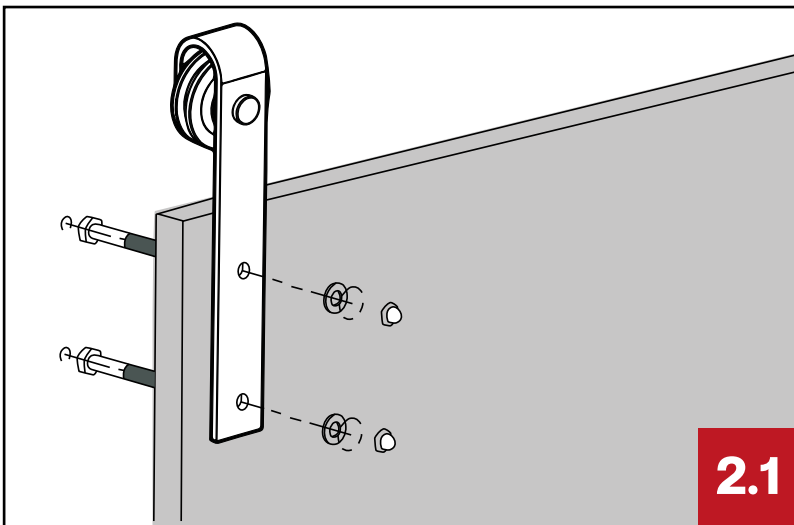
Drill 7/32" pilot holes at each mark.



Place one lag screw through the middle hole #1 through a spacer. Do not fully tighten. Repeat process with holes #2 and #3. Use a level on top of the rail to ensure it is properly levelled, then tighten the 3 lag screws.

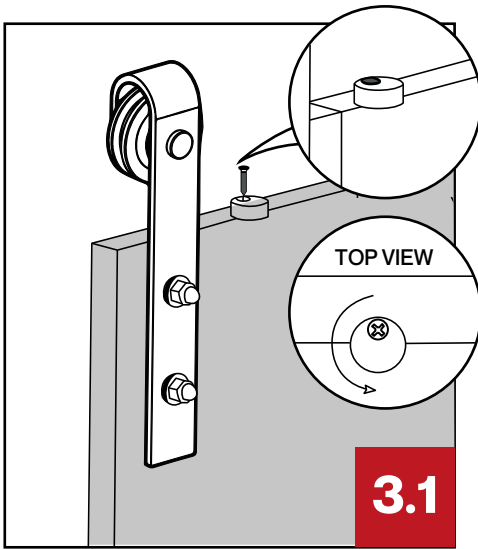
NOTE Lag screws #4 and #5 will be installed later.

2. Installing door hangers



Insert the bolts with a washer through the door and secure the door hanger with washers and nuts. Repeat on the other side.

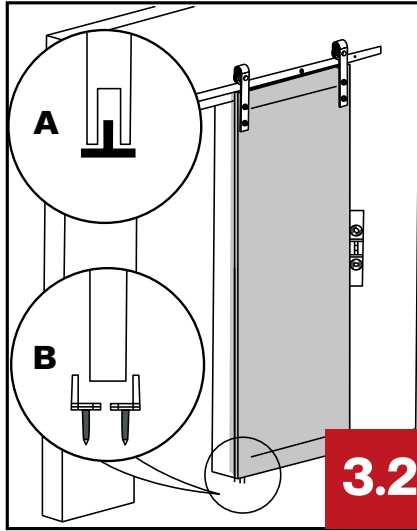
3. Complete your installation



3.1

NOTE Anti-jump bumpers must be installed to prevent door from derailing.

Loosely fasten the anti-jump bumpers 2" from each door hanger. To be able to install the door on rail, anti-jump bumpers must be turned towards the front of the door.

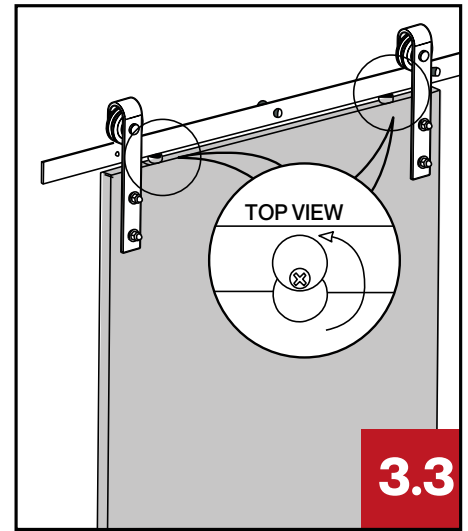


3.2

Hang the door on the rail, ensure the door is levelled then, fix the door guides on the floor on the opening side, as close to the doorway as possible.

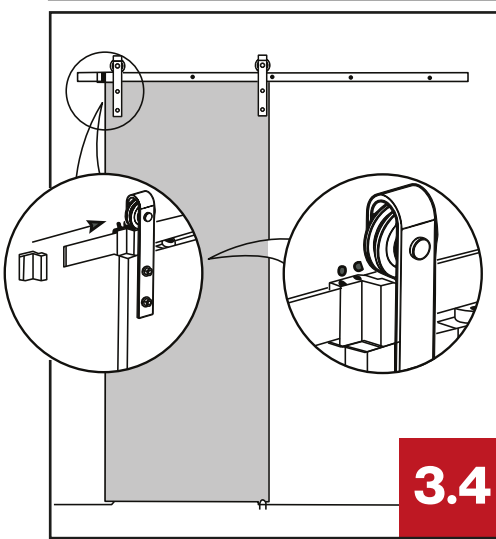
* **NOTE** for door guides two types of guide are provided. Use according to your type of door.

A DOOR WITH GROOVE
B DOOR WITHOUT GROOVE



3.3

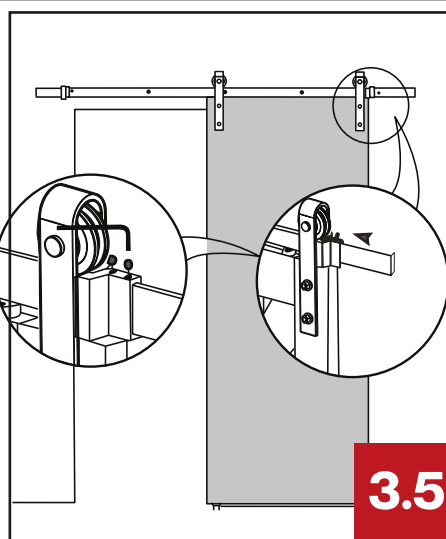
Turn anti-jump bumpers so they are on top of the door and underneath the rail. Tighten the screws.



3.4

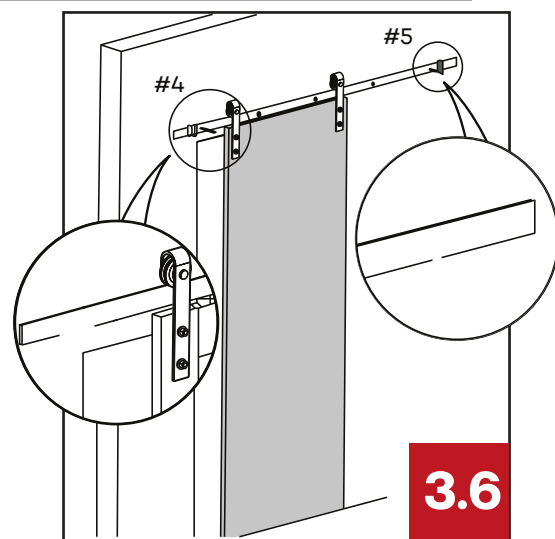
NOTE Stoppers are used to avoid the door from rolling out the edge of the rail on both ends.

Close the door to the desired position insert and secure the door stopper by tightening both screws.



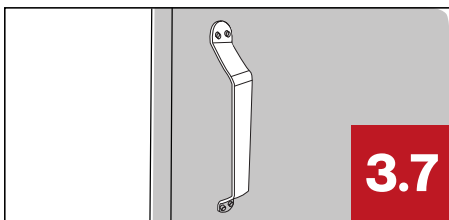
3.5

Open the door to the desired position and repeat with the door stopper.



3.6

Place the 2 last lag screws through the holes and spacers on each end of the rail (#4 - #5) and fully tighten them.



3.7

HANDLE

34" from the floor install the pull. Make sure that it is properly centred and straight before tightening the screws.