

CEILING FAN REMOTE CONTROL OPERATION AND INSTALLATION INSTRUCTIONS

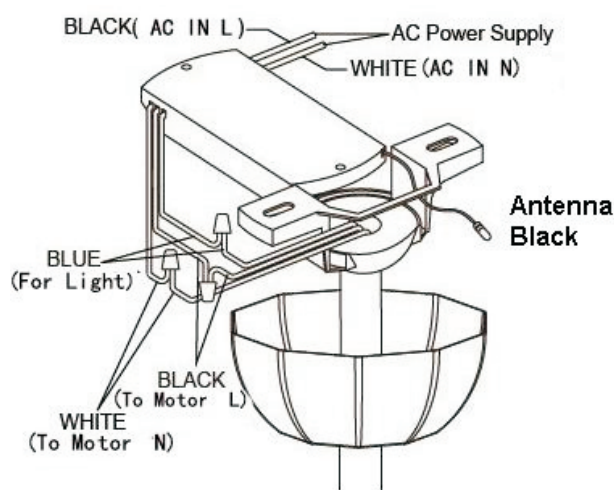
IMPORTANT POINTS TO REMEMBER:

1. Read and save these instructions.
2. Please note that all fixed wiring appliances should be installed by a qualified electrician.
3. The electrical supply of the remote control receiver should be connected through a main switch, i.e. existing wall switch.
4. Disconnect from power supply at wall switch before working on remote control receiver or ceiling fan.
5. Install receiver into the ceiling fan canopy of the fan to ensure proper protection.
6. This unit is to be used for the control of ceiling fan and in a AC110V/120V 60Hz power supply only, rated 1.0A for fan, max load 190W for light kit.
7. This remote control is only for indoor use and only compatible to this particular ceiling fan.
8. Do not pull on or cut leads shorter.
9. Do not drop or bump the unit.
10. PLEASE NOTE: The battery will weaken with age and should be replaced before leaking takes place as this will damage the transmitter. Dispose of used battery properly. Keep the battery out of reach of children.
11. CAUTION: To reduce the risk of fire or injury, do not use this product in conjunction with any variable (rheostat) wall control.

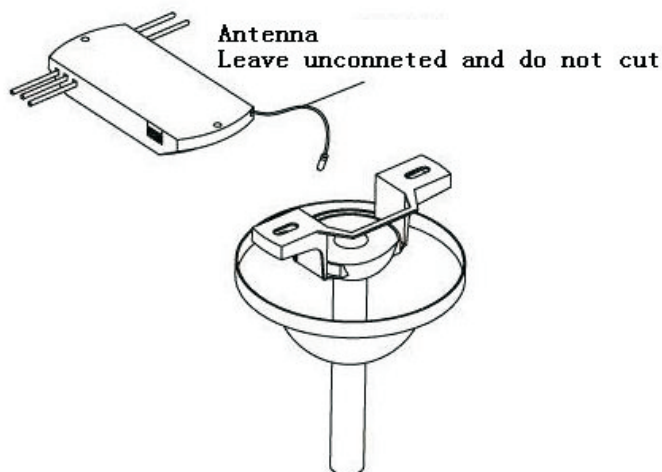
INSTALLATION INSTRUCTIONS

CAUTION: INCORRECT WIRE CONNECTION WILL DAMAGE THIS RECEIVER.

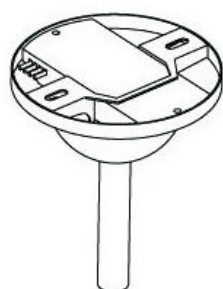
1. Once the connection has been made, the receiver inserts into the drop rod hanging bracket. The canopy comes up to cover the receiver and bracket.



Step 1



Step 2



Step 3

VIEW AFTER INSTALLATION

CODE SWITCH

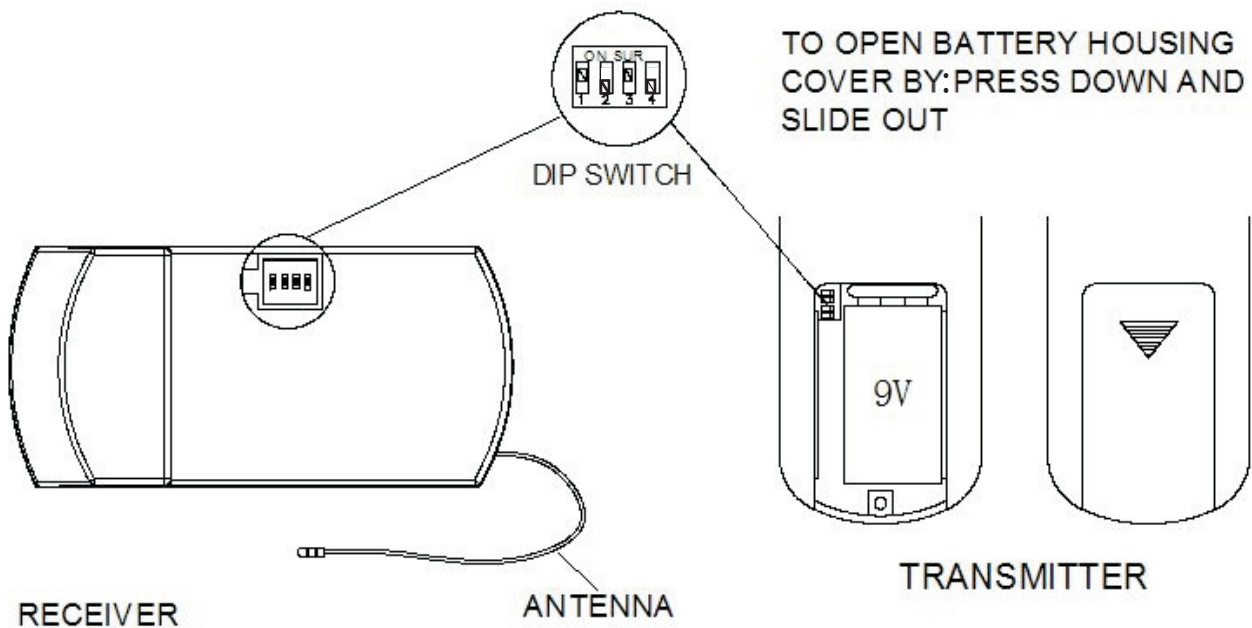
1.CODE SWITCH: Codes are set by pushing dip switches up or down. It is imperative that the code used for both transmitter and receiver is exactly the same; otherwise remote control will not work. Please note the code switch will enable you to operate a second remote control independently. For example, if you have two ceiling fans with 2 remote control units, set 2 different codes for each set of transmitter/receivers. This means you can operate each ceiling fan independently.

2.Code example:

1-ON 2-OFF 3-ON 4-OFF on both DIP Switches.

NOTE: This item allows up to 16 different transmitter codes. If you have a multi-unit project, or more than one ceiling fan/remote control unit installed in the home, and do not wish the ceiling fans to be used simultaneously you must update the transmitter codes before operating.

3.Your remote control is ready for use after battery installation.



FUNCTIONS OF TRANSMITTER

OFF : Turn off ceiling fan.

HI : Turn on ceiling fan at high speed.

MED : Turn on ceiling fan at medium speed.

LOW : Turn on ceiling fan at low speed.

LIGHT : ON/OFF : Press and release immediately to turn On or off the light.

DIMMER : Press and hold on to dim or brighten Lights to the desired level and release.

TRANSMITTER

