

# Café Minimal Series 30" Smart Built-In Convection Double Wall Oven in Platinum Glass

# CAFÉ

DISTINCT BY DESIGN™

CTD90DM2NS5



This model requires a one-time WiFi connection to download oven features and functionality enabled by software. Follow instructions on your LCD screen on how to connect.

## FEATURES & BENEFITS

**Built-In WiFi, Powered by SmartHQ App\*** - Manage all aspects of your kitchen with the help of the SmartHQ™ App or your voice assistant.

**Personalized Features + Upgrades\*** - Usher in the latest features by downloading cooking upgrades right to your oven, putting Air Fry and more in your repertoire.

Create an easy-to-clean, contemporary look for your kitchen with the striking reflective glass finish.

Simply **use your voice\*** to open the wall oven, so you can keep both hands on heavy dishes.

Monitor your food from your smart device thanks to a heat-resistant **in-oven camera\***, which syncs to the SmartHQ app.

Simplify the cooking process with **precision cooking modes** that automatically track progress, and make time and temperature adjustments.

Integrated **hot air frying** technology gives you crispy results in your oven without using oil.

Make homemade chips, spices and dehydrated fruits more easily than ever with a **moisture-removing setting** in your oven.

Eliminate the need for preheating and save time with a variety of **precision cooking modes**.

This oven features **True European Convection**, an advanced convection system that uses a third heating element and reversing fan for the highest level of heat and air circulation.

A precision **temperature probe** connects to the oven to ensure your food is properly cooked.

This oven will fit your existing cut-out, or GE Appliances will help pay for modifications up to \$300.

\*Some features require continuous WiFi connection to use.

## FEATURES

Configuration	Double Oven
Cooking System	True European Convection with Direct Air (Both Ovens)
Oven Cleaning Type	Self-Clean with Steam Clean Option
Cleaning Time	Variable with Delay Clean Option
Oven Cooking Modes	Convection Bake Convection Bake Multi-Rack Convection Broil Hi/Lo Convection Roast Hot-Air Frying Precision Cooking Modes Thermal Bake Thermal Broil Hi/Lo
Self-Clean Oven Door Lock	Automatic
Control Type	7" Full-Color Touch LCD Screen
Oven Features	10-Pass Bake Element 10-Pass Dual Broil Element Closed Door Broiling
Oven Rack Features	2 Self-Clean Roller Racks (Both Ovens) 6 Embossed Rack Positions (Both Ovens)
Oven Control Features	12-Hour Shut-Off Capability Audible Preheat Signal Auto Recipe Conversion Sabbath Mode Control Lock Capability Cook Time C° or F° Programmable Dehydration Delay Time Electronic Clock & Kitchen Timer Mis-Wire Detection Oven Camera Proof Mode Remote Enabled Scan-to-cook Temperature Probe Warm Mode
WiFi Connect	Built-In
Connected Capabilities	Amazon Alexa The Google Assistant IFTTT Nest Drop Innit
Cooking Technology	Convection
Oven Interior	2 Halogen Interior Oven Lights (Both Ovens) Black Gloss Finish Hidden Bake

## CAPACITY

Capacity (Cu. Ft.)	5.0 Upper / 5.0 Lower
Total Capacity (cubic feet)	10.0 cu ft

## POWER / RATINGS

Amp Rating at 208V	40
Amp Rating at 240V	40
Bake Wattage	2,850W
Broiler Wattage	4,300W
Convection Wattage	2,400W
KW Rating at 208V	6.8
KW Rating at 240V	9

## WEIGHTS & DIMENSIONS

Approximate Shipping Weight	278 lb
Net Weight	260 lb
Overall Height	53 in
Overall Width	29-3/4 in
Overall Depth	24-3/4 in
Cabinet Width	30 in
Cutout Dimensions (W x H x D) (in.)	28-1/2 x 51-13/16 x 23-1/2
Oven Interior Dimensions (lower)	25 x 17-3/8 x 20-1/4
Oven Interior Dimensions (upper)	25 x 17-3/8 x 20-1/4

# Café Minimal Series 30" Smart Built-In Convection Double Wall Oven in Platinum Glass

# CAFÉ

DISTINCT BY DESIGN™

CTD90DM2NS5

## APPEARANCE

Color Appearance	Platinum Glass
Handle	Push-to-Open, Soft Open Hinges
	Above Warming Drawer
	Side-by-Side
Installation	Flush Inset

## WARRANTY

Parts warranty	Limited 1-year entire appliance
Labor warranty	Limited 1-year entire appliance
Warranty notes	See written warranty for full details

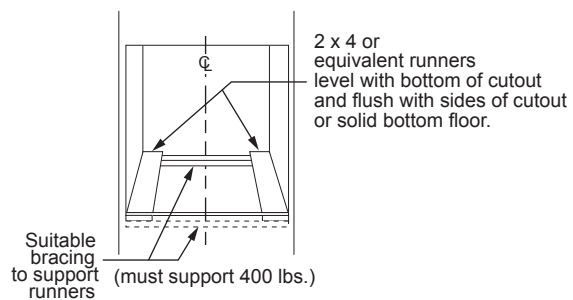
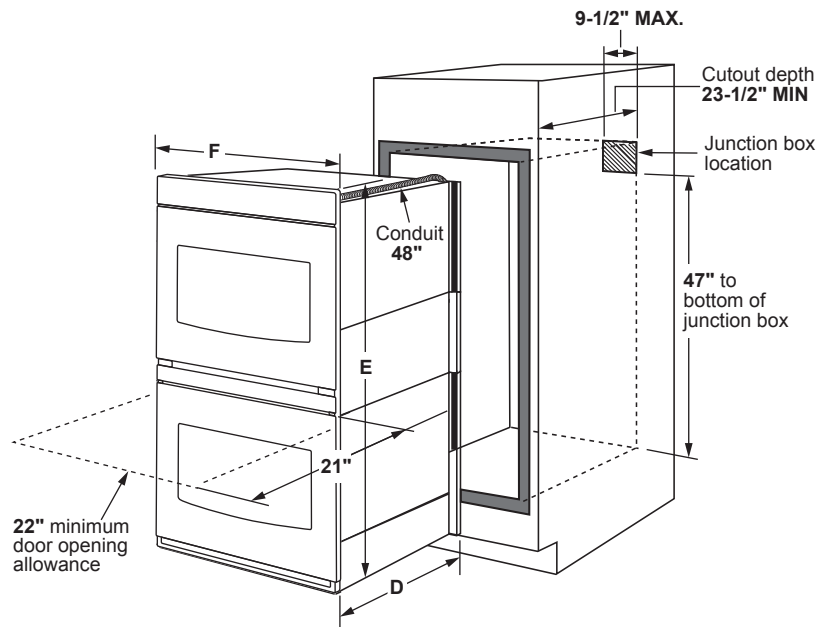
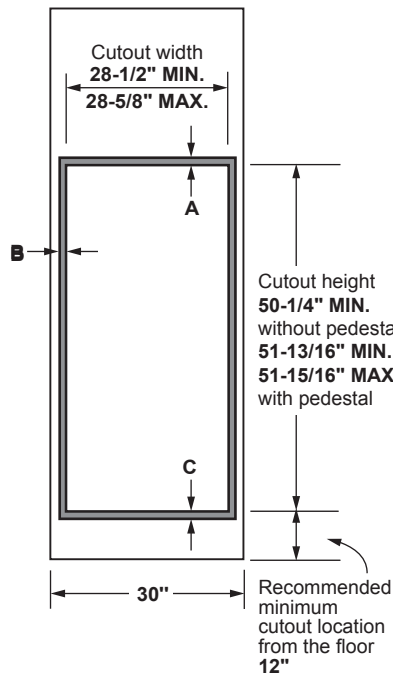
## DIMENSIONS AND INSTALLATION INFORMATION

Wall coverings, countertops and cabinets surrounding the wall oven must be able to withstand a temperature of up to 200°F (94°C).

If the cabinet in which the wall oven is installed does not have a solid bottom, two braces or runners must be installed to support the weight of the oven. The runners and braces must support up to 400 lbs (181 kg).

**ATTENTION INSTALLER:** Electric wall ovens are NOT approved for installation with a plug and receptacle. They must be hard wired into an approved junction box.

**IMPORTANT:** Before installing, consult installation instructions packed with product for current dimensional data.



<b>Cabinet</b>	30"
A - Overlap of oven at top of cutout	1"
B - Overlap of oven other side of edge of cutout	3/4"
C - Overlap of oven at bottom of cutout	1-1/4"
<b>Oven</b>	
D - Install depth	24-3/4"
E - Overall height with trim	53"
F - Overall width	29-3/4"

Dimension and installation information are shown in inches.

# Café Minimal Series 30" Smart Built-In Convection Double Wall Oven in Platinum Glass

CTD90DM2NS5

C A F É

DISTINCT BY DESIGN™

## DIMENSIONS AND INSTALLATION INFORMATION

30" Double electric wall ovens are approved for installation above 27" and 30" warming drawers.

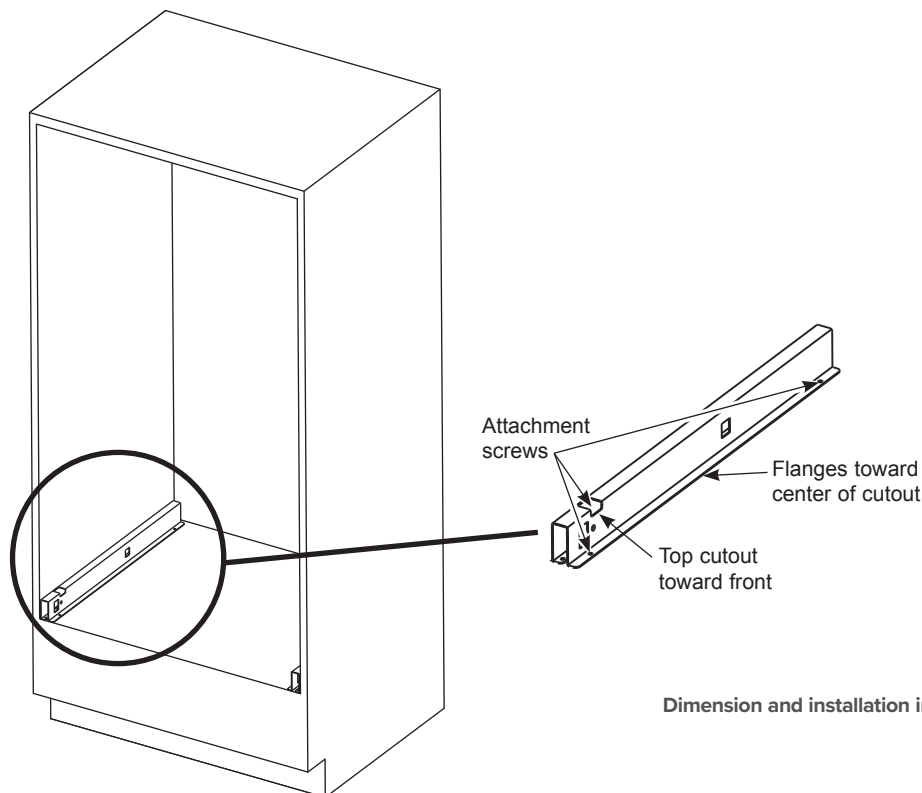
**WHEN TO USE THE PEDESTAL RAILS:** When replacing an older GE Appliances 30" double wall oven with a new GE Appliances model. Cutout Height = 51-13/16" to 51-15/16". This is our traditional cutout height.

**WHEN NOT TO USE THE PEDESTAL RAILS:** When replacing a 30" double wall oven from another manufacturer (ie Whirlpool) with a new GE Appliances model. Cutout height = 50-1/4". You will need to verify that the existing cutout matches the 50-1/4" dimension.

If the new GE Appliances 30" double wall oven is being installed into new construction (ie not a replacement), then the recommended installation is to use the pedestal rails.

**ATTENTION INSTALLER:** Electric wall ovens are NOT approved for installation with a plug and receptacle. They must be hard wired into an approved junction box.

**IMPORTANT:** Before installing, consult installation instructions packed with ALL products for current dimensional and combination data.



# Café Minimal Series 30" Smart Built-In Convection Double Wall Oven in Platinum Glass

CTD90DM2NS5

# CAFÉ

DISTINCT BY DESIGN™

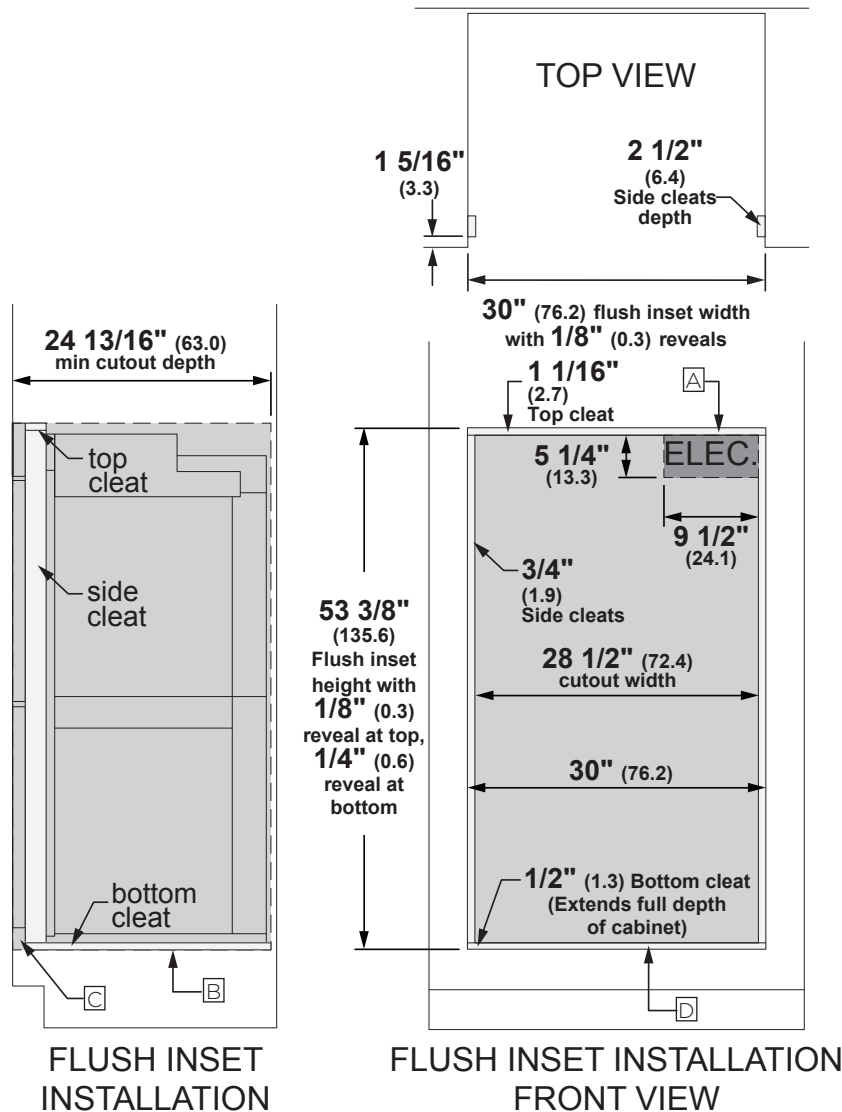
## FLUSH INSET DIMENSIONS AND INSTALLATION INFORMATION

### NOTES:

- A** Junction Box location (may also be located in an adjacent cabinet).
- B** Platform must be able to support 400 lbs (181 kg).
- C** Cabinet surfaces must be an appearance finished surface for flush installation.
- D** Cleats may be visible and should be finished to match cabinetry.

**ATTENTION INSTALLER:** Electric wall ovens are NOT approved for installation with a plug and receptacle. They must be hard wired into an approved junction box.

**IMPORTANT:** Before installing, consult installation instructions packed with ALL products for current dimensional and combination data.



Allow 1/8" (0.3) clearances from side edges of oven door.

Dimension and installation information are shown in inches.