

QUICK DISC PIR

120V Surface Mount Downlight

The Quick Disc is a surface mount LED downlight for use with most standard junction boxes. Installation is fast and easy due to its unique screw-through mounting system that connects the downlight straight to the junction box. The Quick Disc PIR includes an attached motion sensor.

- 3000K color temperature with 90+ CRI
- 4" and 6" trim sizes with up to 950 lumens
- Low profile design, as little as 1" high
- Quick and easy design for fast installs
- Polycarbonate lens for diffused soft light
- aluminum housing
- 50,000 hours rated life
- ENERGY STAR certified
- cETLus Listed for damp locations
- JA8 and Closet Rated

PROJECT:
TYPE:
LOCATION:
CATALOG NUMBER:



QD4PIR-30-WH



QD6PIR-30-WH



QDPIR SERIES QUICK SPECS

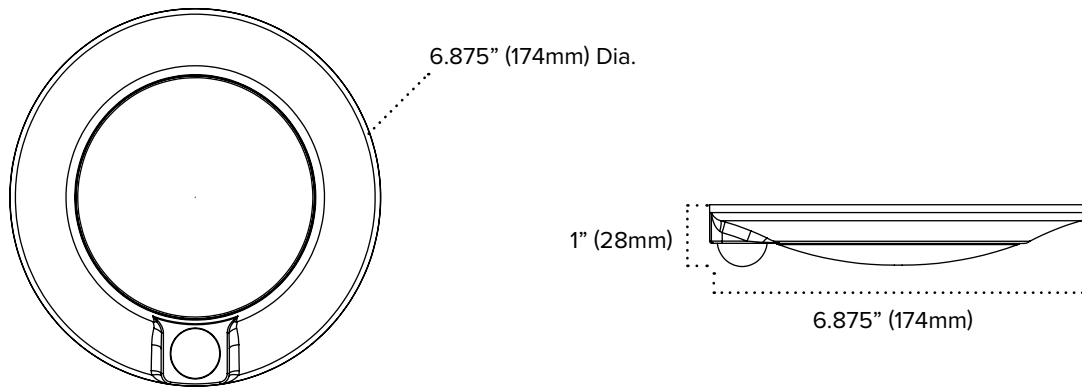
VOLTAGE	120 AC, 60Hz
WATTAGE	9W / 15W
LUMENS	Up to 950Lm
CCT OPTIONS	3000K
CRI	90+
MOUNTING	Surface mount - 4O Octagonal / 4O Round / 3O Round
DIMMING	N/A
BEAM ANGLE	120°
OPERATING TEMP	-25°C (-13°F) to 40°C (104°F)
CERTIFICATIONS	cETLus Listed / Energy Star Certified / JA8 / Wet Location
RATED LIFE	50,000 Hours - 5 Year Limited Warranty

QDPIR SERIES ORDERING INFORMATION

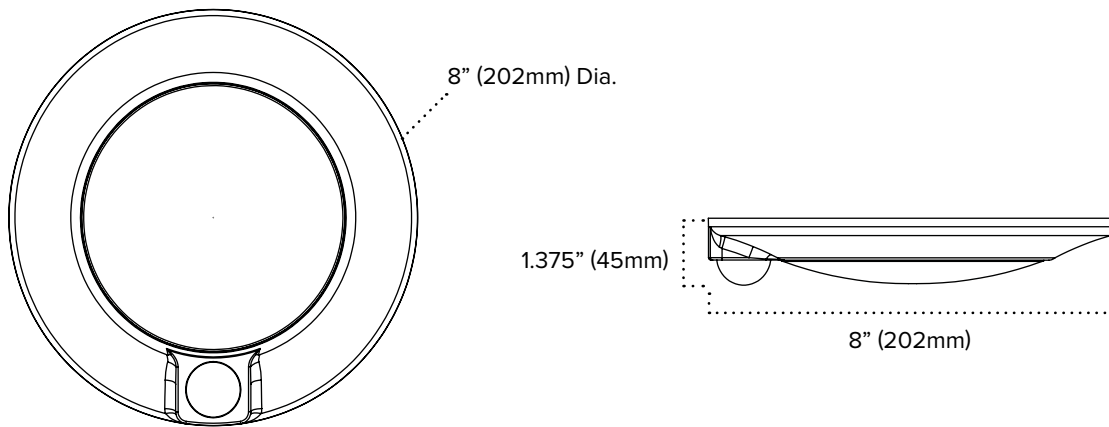
ITEM NUMBER	DESCRIPTION	FINISH	VOLTAGE	CCT	CRI	LUMENS	WATTAGE	DIMMING
QD4PIR-30-WH	Quick Dis PIR 4	White	120V	3000K	90+	600Lm	9W	N/A
QD6PIR-30-WH	Quick Disc PIR 6	White	120V	3000K	90+	950Lm	15W	N/A

QUICK DISC PIR DIMENSIONS

QD4PIR



QD6PIR



QUICK DISC PIR SENSOR DETECTION RANGE

