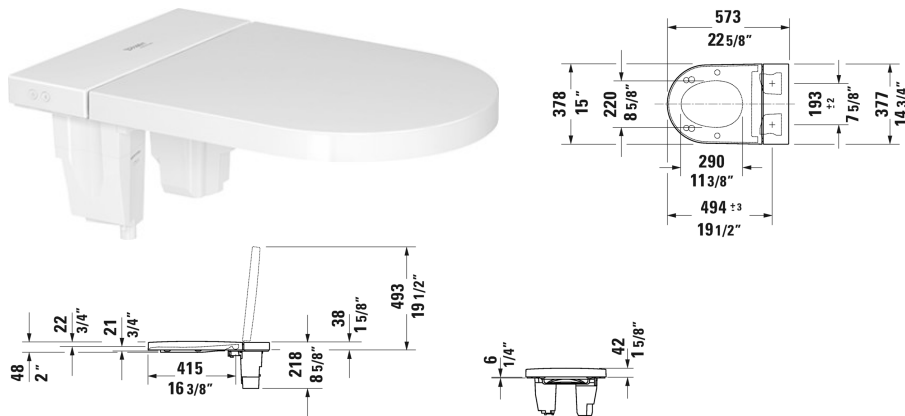


**SensoWash® Starck f SensoWash® Starck f Plus shower toilet-seat # 612000011041320**

| < 14 7/8" Inch > |



SensoWash® Starck f Plus shower toilet-seat	Dimension	Weight	Order number
Rear-, Lady- and Comfortwash, heated seat, warm air dryer, individual adjustment of water-, air- and seat surface temperature as well as nozzle position and jet strength, night light, Intelligent energy-saving mode, remote control included, app operation, self-cleaning wand, descaling function, automatic drainage in periods of prolonged disuse			
<b>Colors</b>			
00 White			
<b>Variant</b>			
AC 100-120V, 50-60 Hz, odor extraction, Automatic odor extraction, Adjustable odor extraction follow-up time, automatic opening/closing of lid, Electronically actuated lid, 2 individually programmable user profiles, with visible connections, seat/lid material duroplast	14 7/8" x 22 5/8" Inch	15.4 lb	612000011041320
<b>Installation accessories</b>			
Wall bracket frame type, for permanent remote control installation, suitable for SensoWash Plus remote control			100724
<b>Suitable products</b>			
Toilet wall-mounted Duravit Rimless for SensoWash® f rimless, washdown model, only in combination with SensoWash f, cUPC® listed*, 14 3/4" x 22 5/8" Inch	14 3/4" x 22 5/8" Inch		251009
One-Piece toilet Duravit Rimless® for SensoWash® f rimless, syphonic, 12" rough-in, only in combination with SensoWash f, vertical outlet, with holes for external water supply, 1.32/0.92 gpf, 14 1/8" x 29 1/2" Inch	14 1/8" x 29 1/2" Inch		218901

All drawings contain the necessary measurements which are subject to standard tolerances. They are stated in inch & mm and are non-binding. Exact measurements, in particular for customized installation scenarios, can only be taken from the finished ceramic piece.