

## Features

- Touchless on/off with a wave of your hand or an object such as a pan.
- Response® technology uses a state-of-the-art motion sensor for reliable touchless activation.
- LED light indicates Response® is ready to use.
- AC-powered operation—no batteries to replace.
- Voice control allows hands-free activation to turn the faucet on or off, pour specific amounts and fill preset measurements.\*
- KOHLER Konnect™ pairs with Amazon Alexa, Google Home and Apple Home Kit.\*\*
- Innovative sensor monitors water usage and displays that information on the KOHLER Konnect™ app.
- Notification can be sent to your mobile device when unusual flow of water is detected.\*\*\*
- 2.4 GHz password-protected Wi-Fi connection is required.
- Three-function pull-down sprayhead with touch control allows you to switch between aerated stream, ring spray and Boost technology.
- Boost technology increases the flow rate by 30% with the press of a button. Use Boost with stream for faster filling or with ring spray for more powerful cleaning.
- DockNetik® magnetic docking system securely locks the sprayhead into place when not in use.
- ProMotion® technology's light, quiet braided hose and swiveling ball joint make the pull-down sprayhead easier and more comfortable to use.
- MasterClean™ sprayface features an easy-to-clean surface that withstands mineral buildup.
- High-arch swing spout offers vertical clearance for tall cookware and pitchers.
- Single lever handle makes adjusting water temperature easy.
- Temperature memory allows faucet to be turned on and off at the temperature set during prior usage.
- KOHLER ceramic disc valves exceed industry longevity standards for a lifetime of durable performance.
- 1.5 gpm (5.7 lpm) maximum flow rate at 60 psi (4.14 bar).

## Material

- Premium metal construction for durability and reliability.
- KOHLER finishes resist corrosion and tarnishing.

## Installation

- Requires non-switched undercounter outlet.
- Single-hole or three-hole installation (escutcheon plate included).
- Flexible supply lines simplify installation.
- \*When dispensing measured amounts, minimum of 8 oz. is required; accuracy may vary depending on water pressure.



**ADA** **CSA B651**

## Codes/Standards



ASME A112.18.1/CSA B125.1  
NSF/ANSI 61  
NSF/ANSI 372  
All applicable US Federal and State material regulations  
DOE - Energy Policy Act 1992  
California Energy Commission (CEC)  
ADA  
ICC/ANSI A117.1  
CSA B651

## KOHLER® Electronic Faucets, Valves, and Controls Five-Year Limited Warranty KOHLER® Faucet Lifetime Limited Warranty

See website for detailed warranty information.

## Available Colors/Finishes

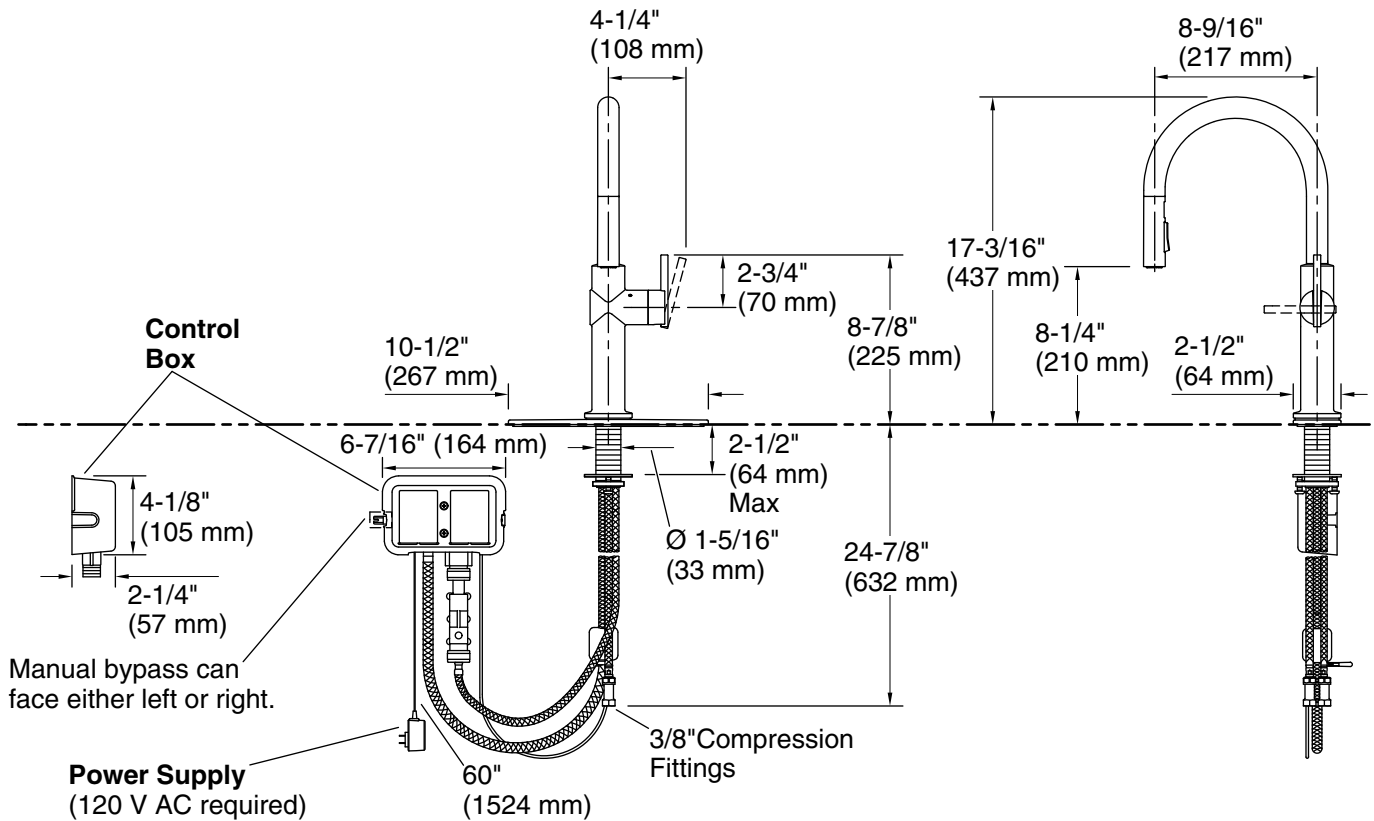
*Color tiles intended for reference only.*

Color	Code	Description
	CP	Polished Chrome
	VS	Vibrant® Stainless
	BL	Matte Black
	2MB	Vibrant® Brushed Moderne Brass

1-800-4KOHLER (1-800-456-4537)

Kohler Co. reserves the right to make revisions without notice to product specifications. For the most current Specification Sheet, go to [www.kohler.com](http://www.kohler.com).

THE BOLD LOOK  
OF **KOHLER®**



### Required Electrical Service

One dedicated circuit required, protected with Class A Ground-Fault Circuit-Interrupter (GFCI). Outside North America, this device may be known as a Residual Current Device (RCD).  
 120 V, 0.15 A, 50/60 Hz

### Notes

Install this product according to the installation instructions.  
 ADA, CSA B651 compliant when installed to the specific requirements of these regulations.

### Technical Information

All product dimensions are nominal.

Power source: Plug - AC, included

#### Faucet:

Flow rate: 1.5 gal/min (5.7 l/min)

Pressure: 60 psi (4.1 bar)

Drain included: No

#### Spout:

Spout reach: 8-9/16" (217 mm)