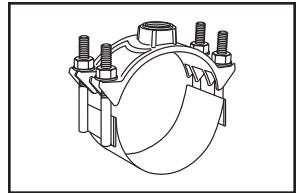
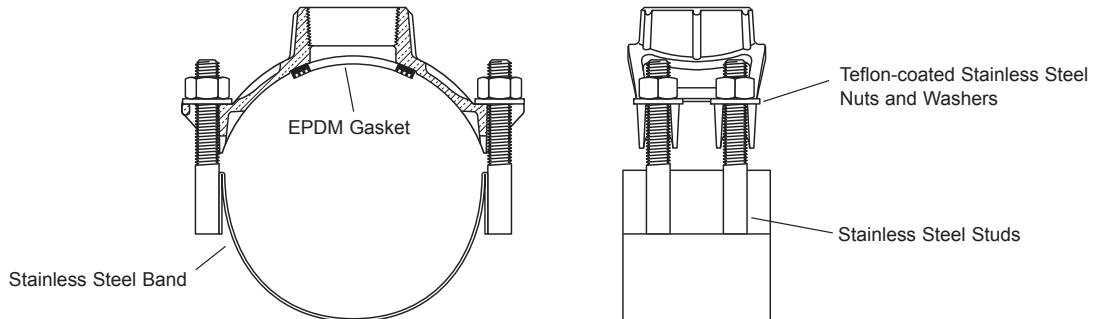


SUBMITTAL INFORMATION

Brass Saddles - (202BS-xxx-xxx style)



202BS BRASS SADDLES WITH STAINLESS STEEL DOUBLE BAND FOR DUCTILE IRON OR A/C PIPE



NOM. PIPE SIZE	O.D. RANGE	APPROX. WT. LBS.	CATALOG NUMBER	✓ SUBMITTED ITEM(S)
4"	4.80 - 5.40	6.6	202BS-540-Tap	
	4.80 - 5.10	7.3	*202BS-510-Tap	
	5.10 - 5.40	7.3	*202BS-540-Tap	
**6"	6.90 - 7.50	7.7	202BS-750-Tap	
8"	9.05 - 9.62	8.8	202BS-962-Tap	
10"	11.10 - 12.12	10.7	202BS-1212-Tap	
12"	13.20 - 14.38	11.8	202BS-1438-Tap	
**14"	15.30 - 16.25	18.0	202BS-1625-Tap	
**16"	16.30 - 17.25	19.1	202BS-1725-Tap	
	17.40 - 18.40	23.0	202BS-1840-Tap	
	18.50 - 19.25	24.0	202BS-1925-Tap	
**18"	19.50 - 20.50	25.0	202BS-2050-Tap	
**20"	21.20 - 22.20	25.5	202BS-2220-Tap	
	22.50 - 23.50	25.7	202BS-2350-Tap	
**24"	23.80 - 24.80	26.0	202BS-2480-Tap	
	25.60 - 26.50	26.5	202BS-2650-Tap	
**30"	31.74 - 32.74	27.0	202BS-3274-Tap	

* These 4" saddles have a limited range and are for 2" taps only. For all other tap sizes use the standard 4.80 - 5.40 range.

** Only 6" (6.90-7.50 range) saddle and 14" saddle and larger are available with 1-1/4" tap

OUTLET TAP CODE

CC (AWWA) THREAD		IP THREAD	
THREAD	CODE NUMBER	THREAD	CODE NUMBER
3/4" CC	CC3	3/4" IP	IP3
1" CC	CC4	1" IP	IP4
1-1/4" CC	Δ CC5	1-1/4" IP	Δ IP5
1-1/2" CC	CC6	1-1/2" IP	IP6
2" CC	CC7	2" IP	IP7

Δ Contact factory for availability

To Order: Select the catalog number for the desired pipe range and complete the catalog number by adding the outlet thread tap code.

Example: A stainless steel double band saddle for 6.90 D.I. pipe with a 3/4" CC thread would be 202BS-750-CC3.

FEATURES

- All brass conforms to AWWA Standard C800 (ASTM B62 and/or ASTM B584, UNS NO C83600 - 85-5-5-5)
- Band and 5/8" UNC threaded studs are made of 18-8 type 304 stainless steel. Welds are fully passivated for corrosion resistance.
- Gasket is EPDM rubber ASTM D2000
- Stainless steel nuts are Teflon-coated to prevent galling
- Saddle is designed and suitable for use on both PVC and ductile iron pipe
- Manufactured in the USA

The Ford Meter Box Company considers the information in this submittal form to be correct at the time of publication. Item and option availability, including specifications, are subject to change without notice. Please verify that your product information is current.



The Ford Meter Box Company, Inc.

P.O. Box 443, Wabash, Indiana U.S.A. 46992-0443

Phone: 260-563-3171 / Fax: 800-826-3487

Overseas Fax: 260-563-0167

www.fordmeterbox.com

01/12/16

Submitted By: