

HLK22 SERIES DESIGNER FLAT BAR LEVER

Square Die Cast Rosette



Available Finishes:



US15
Satin Nickel



US26
Polished Chrome



US10B
Oil Rubbed Bronze



Satin Brass
Champagne Brass



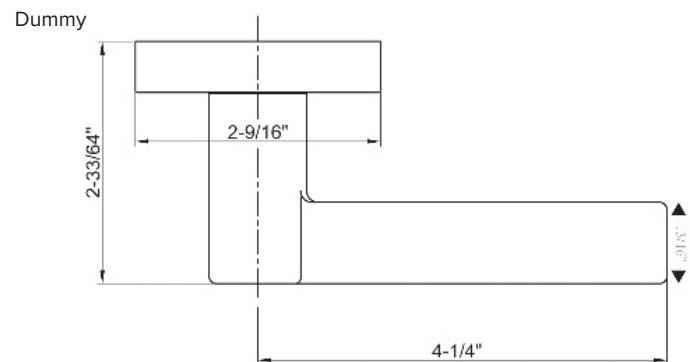
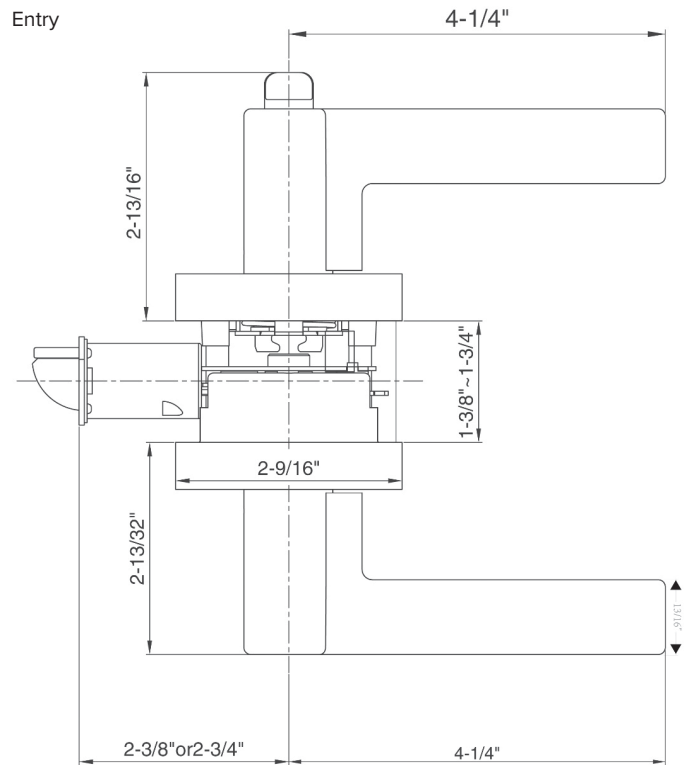
Matte Black

FEATURES & OPTIONS:

- Door Thickness – Fit 1-3/8" to 1-3/4" standard door thickness
- Door Preparation – Cross bore: 2-1/8", edge: 1"
- Latch Backset – Adjustable 2-3/8" – 2-3/4"
- Latch – 2-way radius
- Faceplate – 1" x 2-1/4" round corner
- Spindle Type – Square
- Bolt – 1/2" throw
- Trim Guard – Installed
- Cylinder – Zinc cylinder KW1 keyway 5 brass pins
- Keys – 2 brass keys, nickel plated, stamped with key code
- Strike Plate – 2-1/4" x 1-3/4" round corner
- Handing – Non-handed reversible
- Material – Zinc alloy
- Rosette – Die cast
- ANSI/BHMA – Meets the requirements of A156.2 grade 3

FUNCTIONS:

- **Entry – (F109)**
Both levers locked or unlocked by key outside or turn-piece inside
- **Privacy – (F76B)**
Bedroom or Bath Lock. Latchbolt operated by lever from either side except when outside lever is locked by locking device inside. Locking device shall automatically release when inside lever is operated or be in unlocked position before inside lever is operated. Emergency release on outside shall permit outside lever to operate latchbolt
- **Passage – (F75)**
Latchbolt operated by lever from either side at all times
- **Dummy**
Pull one/both side, no mechanical operation



WARRANTY:

- Limited Lifetime Mechanical Warranty
- Limited 5-Year Finish Warranty