

HLK14 SERIES

CLOSED SCROLL LEVER



Available
Finishes:



US15
Satin Nickel



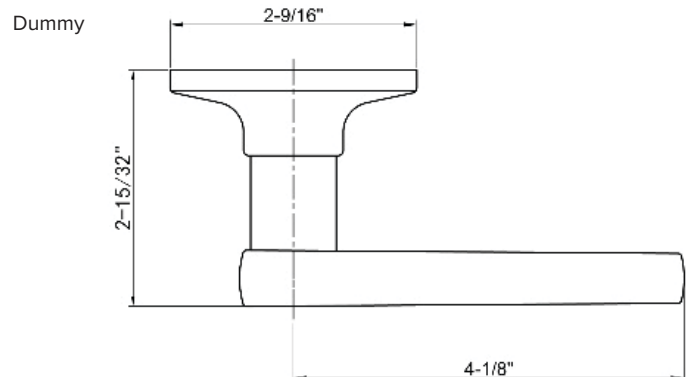
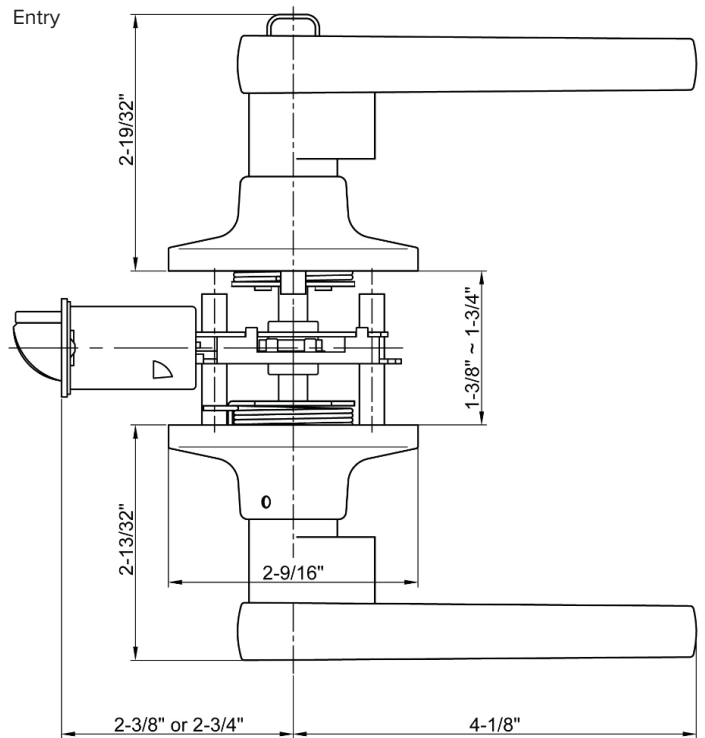
US10B
Oil Rubbed Bronze

FEATURES & OPTIONS:

- Door Thickness – Fit 1-3/8" to 1-3/4" standard door thickness
- Door Preparation – Cross bore: 2-1/8", edge: 1"
- Latch Backset – Adjustable 2-3/8" – 2-3/4"
- Latch – 2-way adjustable, radius faceplate
- Standard Latch Faceplate – 1" x 2-1/4" radius
- Spindle Type – Square
- Bolt – 1/2" throw
- Cylinder – Zinc cylinder KW1 keyway 5 brass pins
- Keys – 2 brass keys, nickel plated, stamped with key code
- Standard Strike Plate – 2-1/4" x 1-3/4" round
- Handing – Supplied as left-handed. Lever handles can be reversed for right-handed installations (except dummy handles)
- Material – Zinc die-cast lever
- ANSI/BHMA – A156.2 grade 3 certified

FUNCTIONS:

- **Entry – (F109)**
Both levers locked or unlocked by key outside or turn-piece inside
- **Privacy – (F76)**
Both levers locked or unlocked by turn-piece inside. Outside lever unlocked by coin or screwdriver
- **Passage – (F75)**
Latchbolt operated by lever from either side at all times
- **Dummy**
Pull one/both side, no mechanical operation



WARRANTY:

- Limited Lifetime Mechanical Warranty
- Limited 5-Year Finish Warranty