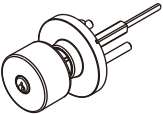

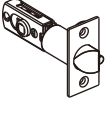






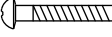

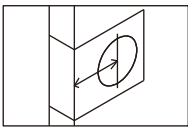


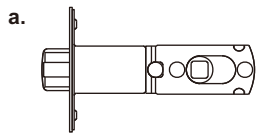
# INSTRUCTIONS FOR INSTALLATION OF TUBULAR KNOBSETS

PACKAGE CONTENTS				TOOLS NEEDED (NOT INCLUDED)
Outside Assembly 	Inside Assembly 	Latch 	Strike Plate 	Phillips Screwdriver  
Keys 	Removal Tool 	Latch/Strike Screws Qty. 4 	Mounting Screws Qty. 2 	Tape Measure 

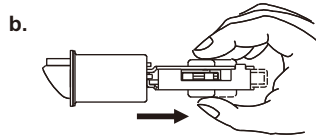
## ADJUSTABLE LATCH FOR 2-3/8" (60 mm) AND 2-3/4" (70 mm) BACKSET



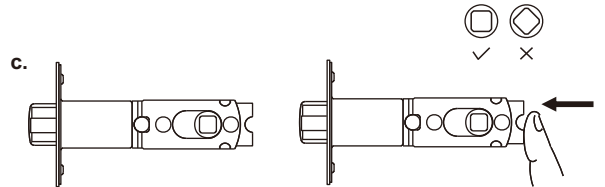
Backset is a distance from the door edge to the centre of the hole on door face. Some locks are supplied with adjustable latch which can fit 2-3/8" (60 mm) or 2-3/4" (70 mm) backset. Just follow the steps shown below to change backset.



a. This latch is set for 2-3/8" (60 mm) backset.



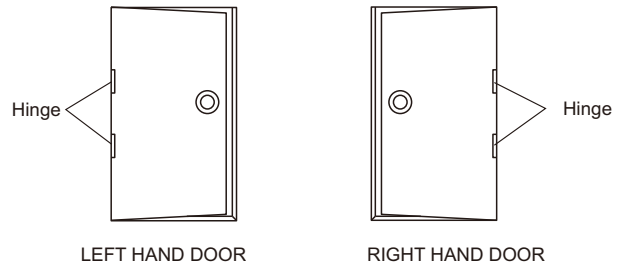
b. Keep spindle cam in correct position as illustrated. Pull spindle cam all the way to right.



c. Your latch is now set for 2-3/4" (70 mm) backset. To reset 2-3/8" (60 mm) backset, just push spindle cam back to left side. Please make sure that the cams are staying with square shape.

## DETERMINE HANDING OF YOUR DOOR

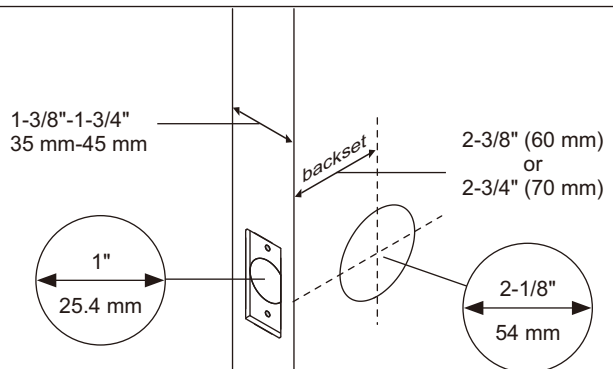
Stand at exterior side and face to your door. Your door is left hand door if hinge were installed at your left hand. Your door is right hand door if hinge were installed at your right hand.



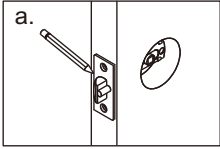
EXTERIOR

## PREPARE DOOR AND CHECK DIMENSIONS

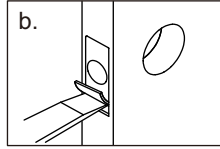
Use enclosed template to mark holes on door face. Drill Ø2-1/8" (54 mm) holes from both sides of door. Drill Ø1" (25.4 mm) holes in door edge for latches.



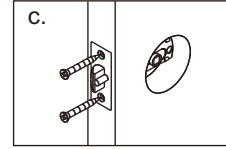
### 3. INSTALL LATCH



Insert latch in hole and keep it parallel to door face.  
Mark outline of face plate and remove latch.



Chisel 1/8" (3 mm) deep or until face plate flush with door edge.

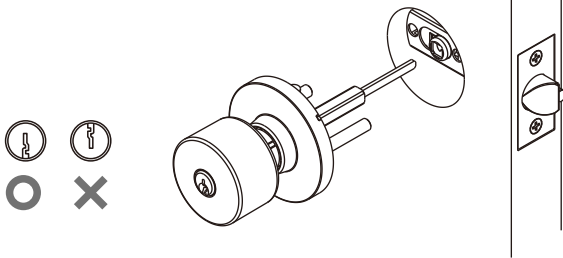


Insert latch and tighten screws.

### 4. INSTALL OUTSIDE KNOB

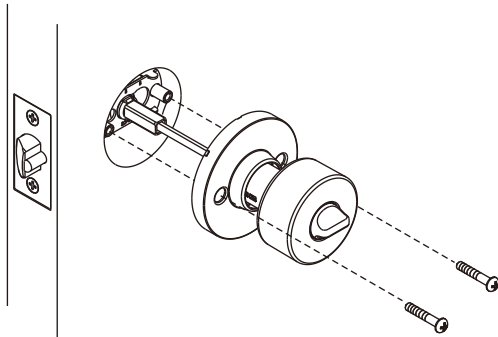
Insert spindle through latch.  
Press flush against door.

**NOTE: Key hole must be in down position.**

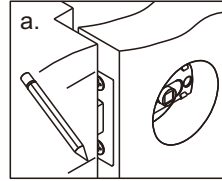


### 5. INSTALL INSIDE KNOB

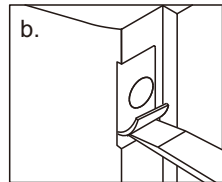
Install inside knob and tighten screws until lock is firm.



### 6. INSTALL STRIKE



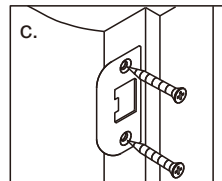
Close door to make horizontal centre line of strike.



Measure one half of door thickness from door stop and mark vertical centre line of strike.  
Drill 1" (25 mm) hole 1/2" (13 mm) deep at intersection of horizontal and vertical line of strike.

Match screw holes on strike with centre lines on jamb.

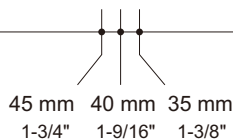
Mark outline and chisel 1/16" (1.6 mm) deep for strike.



Install strike and tighten screws.

## TEMPLATE

Fold on dotted line and fit on door edge



Make 1" (25.4 mm) hole at center of door edge.

FOR BACKSET 2-3/4" (70 mm)

FOR BACKSET 2-3/8" (60 mm)

Ø2-1/8" (54 mm)

