

# HLK8121 SERIES

## SINGLE CYLINDER DEADBOLT



### Available Finishes:



US3  
Polished Brass



US15  
Satin Nickel



US5  
Antique Brass



US10B  
Oil Rubbed Bronze



US26  
Polished Chrome



US26D  
Dull Chrome



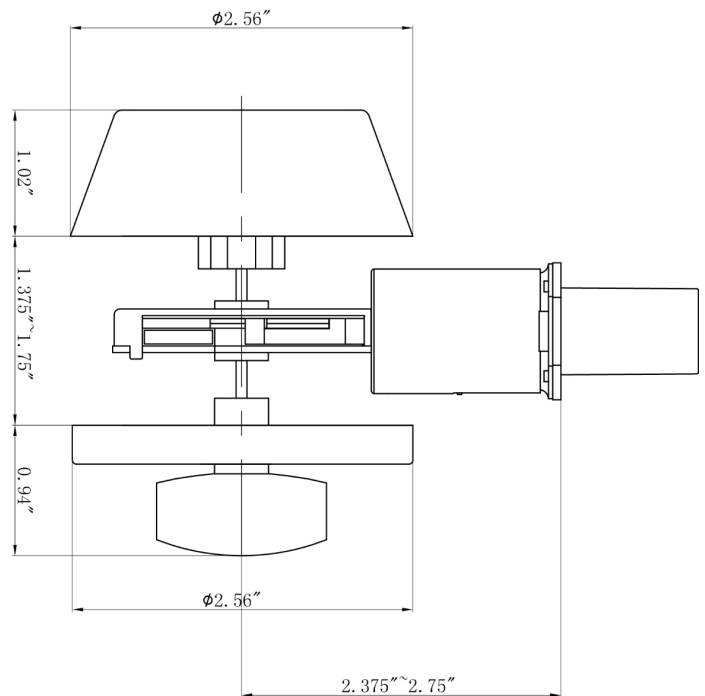
Matte Black

### FEATURES & OPTIONS:

- Door Thickness – Fits 1-3/8" to 1-3/4" standard door thickness
- Door Preparation – Cross bore: 2-1/8", edge: 1"
- Latch Backset – Adjustable 2-3/8" or 2-3/4"
- Latch – 2-way radius
- Latch Faceplate – 1" x 2-1/4" radius corner
- Spindle Type – Flat bar
- Bolt – 1" throw, anti cut pin or pins
- Cylinder – Zinc cylinder KW1 keyway 5 brass pins
- Keys – 2 brass keys, nickel plated, stamped with key code
- Strike Plate – 1" x 2-1/4" radius corner
- Material – Stainless steel, steel, zinc alloy and brass
- ANSI/BHMA – A156.5 grade 3 certified

### FUNCTIONS:

- **Single Cylinder Deadbolt – (F17)**  
The outside locked and unlocked with a key and the inside locked and unlocked by a thumb turn



### WARRANTY:

- Limited Lifetime Mechanical Warranty
- Limited 5-Year Finish Warranty