



**Dearborn®
Brass**

4675 W. 160th St.
Cleveland, Ohio 44135
Ph: (800) 321-9532
Fax: (800) 321-9535
www.dearbornbrass.com

SUBMITTAL SPECIFICATION

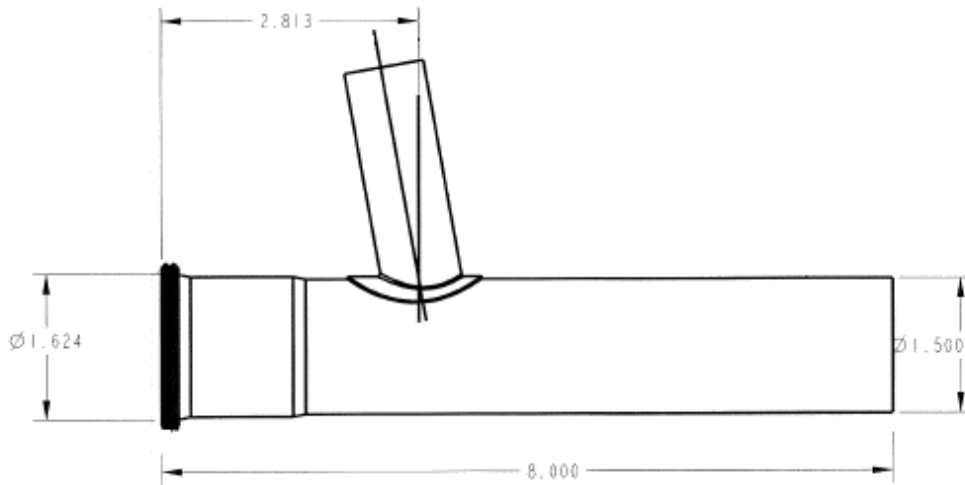
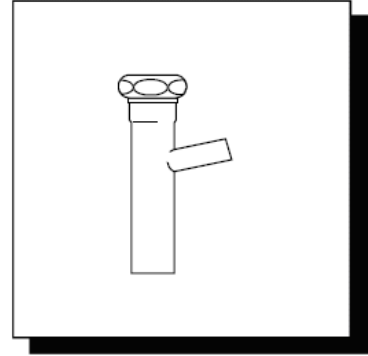
**BRASS TUBULAR
1-½" BRANCH TAILPIECES
WITH HOSE & CLAMP OR SLIP JOINT CONNECTION**

Engineering Specification: Dearborn Brass 1-½" Brass Tubular Branch Tailpieces with Hose & Clamp or Slip Joint Connection are designed for use in tubular drain applications. Available in 17 or 20 Gauge Brass. Options include Unfinished Brass.

Job Reference

DESCRIPTION

- Chrome or Rough Brass Finish
- Branch Tailpiece with Hose & Clamp Connection
 - Branch Tailpiece with ¾" Branch
- Can be used with Hose & Clamp or Slip Joint Connection



✓	Product No.	Description	Carton Quantity	Carton Weight (lbs)
	814ET-1	1-½" x 8" Branch Tailpiece, Hose & Clamp/Slip Joint Top with ¾" Branch (Nut Down)-20 Gauge	10	6
	814ETBN-1	1-½" x 8" Branch Tailpiece, Hose & Clamp/Slip Joint Top with ¾" Branch & Brass Nut (Nut Down)-20 Gauge	10	6
	814ETBN-3	1-½" x 8" Branch Tailpiece, Hose & Clamp/Slip Joint Top with ¾" Branch & Brass Nut (Nut Down)-20 Gauge - Unfinished Brass	10	6
	814ET-17-1	1-½" x 8" Branch Tailpiece, Hose & Clamp/Slip Joint Top with ¾" Branch (Nut Down)-17 Gauge	10	6

Data is subject to manufacturing tolerances.