

Features

- Pressure-balancing diaphragm technology maintains outlet temperature within +/-3°F during water pressure fluctuations.
- Provides temperature regulation and automatic anti-scald protection.
- Single handle controls both on/off activation and temperature setting.
- Includes faceplate with ADA-compliant metal lever handle.
- Includes diverter bath spout with 1/2" slip-fit connection.
- For use with any KOHLER® showerhead (sold separately).
- Includes shower arm with flange.
- Coordinates with Hint™ bathroom sink faucets and bath faucets.

Material

- Premium material construction with metal handle ensures reliability and durability. .
- KOHLER finishes resist corrosion and tarnishing.

Installation

- Trim only; requires valve to complete installation (sold separately).

Required Products/Accessories

- K-8304/K-P8304 Series Rite-Temp® Valve & Cartridge Kits
- or
- K-8300/K-P8300 Series Rite-Temp® Valve Body Rough-ins
- K-8305/K-P8305 Series Rite-Temp® Cartridges

Optional Products/Accessories

- K-10350 Deep Rough-In Kit For K-8305 Cartridges
- K-10351 Test Cap For K-8300 Series Valve Bodies



Codes/Standards


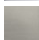
ASME A112.18.1/CSA B125.1
California Energy Commission (CEC)

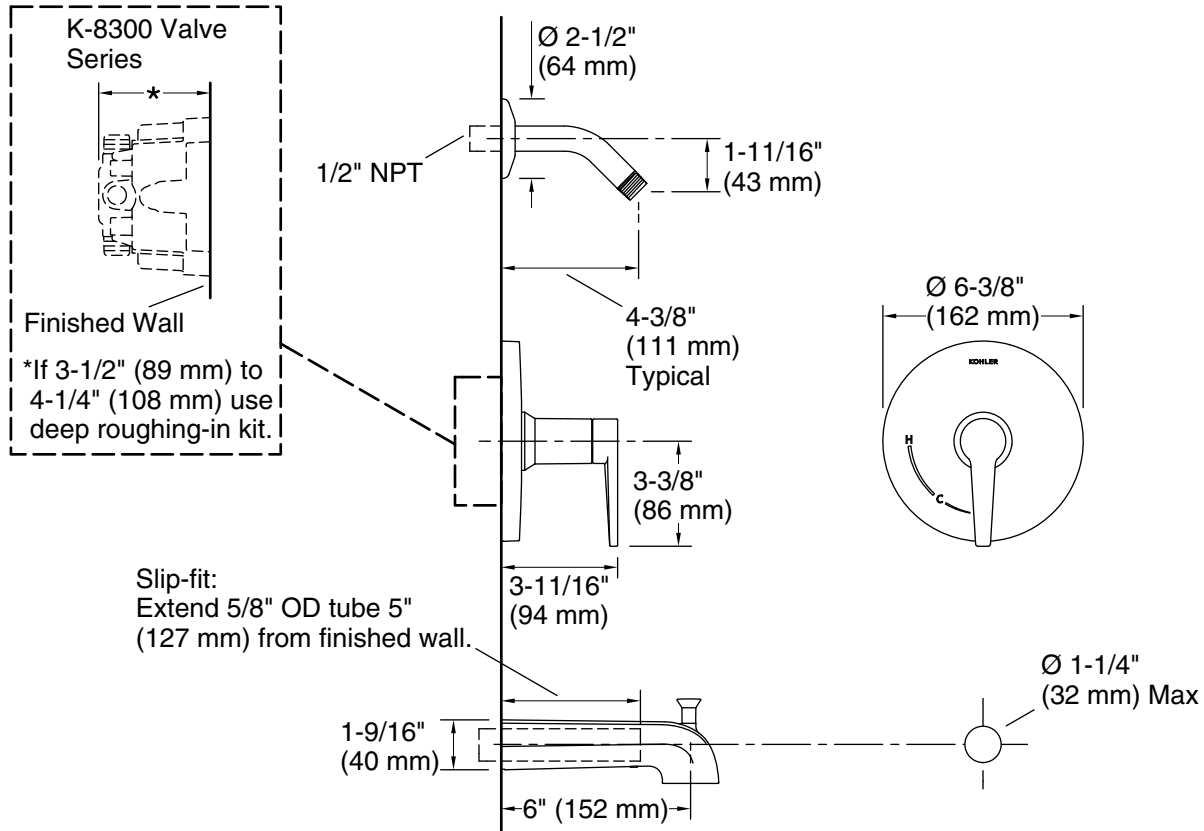
KOHLER® Faucet Lifetime Limited Warranty

See website for detailed warranty information.

Available Colors/Finishes

Color tiles intended for reference only.

Color	Code	Description
	CP	Polished Chrome
	BN	Vibrant® Brushed Nickel



Technical Information

All product dimensions are nominal.

Drain included: No

Notes

Install this product according to the installation instructions.

Install straight pipe or tube drop of 7" (178 mm) to 18" (457 mm) with single elbow between the valve and the wall-mount spout.