



CAUTION / PRECAUCIÓN / MISE EN GARDE

HOT! This system can dispense near boiling water. Care and supervision should be taken to avoid scalding.  
¡CALIENTE! Este sistema puede suministrar agua casi hirviendo. Se debe tener cuidado y usarlo bajo supervisión para evitar quemaduras.  
BRÛLANT! Ce système peut distribuer de l'eau bouillante. Des précautions doivent être prises et une supervision assurée pour éviter les brûlures.

# SHOWROOM COLLECTION

## Instant Hot Water Dispenser Installation, Care & Use

Dispensador de agua caliente instantáneo  
Instalación, mantenimiento y uso

Distributeur d'eau chaude instantanée  
Installation, entretien et utilisation



FHC1010 FH1010



FHC1020 FH1020



FHC2010 FH2010



FHC2020 FH2020



FHC3010 FH3010



FHC3020 FH3020



InSinkErator  
Emerson Electric Co.  
1250 International Dr.  
Mount Pleasant, WI 53177  
USA  
Sales/Service Tel: 800-558-5700  
www.insinkerator.com

InSinkErator Canada  
Emerson Electric Co.  
66 Leek Crescent  
Richmond Hill, ON L4B 1H1  
Canada  
Sales/Service Tel: 1-800-561-1700  
www.insinkerator.ca



These dispenser models are certified by IAPMO R&T against NSF/ANSI 42, 53, and 58 for materials safety and structural integrity only.



The Emerson logo is a trademark and a service mark of Emerson Electric Co.

InSinkErator may make improvements and/or changes in the specifications at any time, in its sole discretion, without notice or obligation, and further reserves the right to change or discontinue models.

©2020 InSinkErator, InSinkErator® a business unit of Emerson Electric Co. All Rights Reserved.

El logotipo Emerson es una marca registrada y una marca de servicio de Emerson Electric Co.

InSinkErator puede realizar mejoras o modificaciones en las especificaciones en cualquier momento, bajo su exclusivo criterio, sin previo aviso ni obligación; además, se reserva el derecho de cambiar o suspender los modelos.

©2020 InSinkErator, InSinkErator® es una unidad comercial de Emerson Electric Co. Todos los derechos reservados.

Le logo Emerson est une marque de commerce et de service d'Emerson Electric Co.

InSinkErator se réserve le droit, à son entière discrétion, d'apporter en tout temps améliorations ou des modifications aux spécifications, et ce, sans préavis ou obligation de sa part, ou de modifier ou de supprimer des modèles.

©2020 InSinkErator, InSinkErator®, une unité commerciale d'Emerson Electric Co. Tous droits réservés.



## ENGLISH

### WHAT YOU SHOULD KNOW BEFORE YOU BEGIN

- Please refer to the Installation, Care & Use manual packaged with your hot water tank and filtration system for additional **Important Safety Information** and tank installation instructions.
- Hot Water Tank and Filtration System sold separately.
-  For your satisfaction and safety, read all instructions, cautions and warnings before installing or using this dispenser.
- This particular unit is not for commercial/industrial use.

### SYSTEM REQUIREMENTS (HOT WATER TANK, FILTRATION SYSTEM AND DISPENSER):

- Make sure that all electrical, plumbing and connections conform to local codes.
- A standard, earthed (grounded) electrical outlet is required under the sink for the instant hot water dispenser's electrical power. The wall outlet powering your hot water tank must have power supplied to it continuously.
- This outlet must be fused and should not be controlled by the same wall switch that operates the disposer, unless you have a SinkTop Switch™ from InSinkErator®. Fuse/circuit breaker required is 15 amp for 120 volt and 10 amp for 230 or 220-240 volt.
- Attach filtration system to cold water supply only. The maximum operating water temperature of this system is 100°F (38°C). Do not install the filter on hot water supply lines.
- It is recommended that a dedicated control valve be installed on the cold water line supplying water to this system.
- To prevent damage or unit not operating properly, the water pressure must be between 30 psi - 125 psi (2.1 bar - 8.6 bar; 210 kPa - 860 kPa). Ambient (room) temperature between 40°F (4°C) and 110°F (43°C).
- Do not install if water pressure exceeds 125 psi (860 kPa).
- The use of a water filter should NOT result in the water pressure dropping below 30 psi (210 kPa).
- Do not install where water hammer conditions occur. If water hammer conditions exist you must install a water hammer arrester.
- The flexible vent and outlet tubes must be correctly connected to the dispenser supplied by the manufacturer. They must not be obstructed or connected to a normal type dispenser or any other type.
- Protect from freezing, shut off water supply, remove filter cartridge, drain hot water tank and tubing when temperatures are expected to drop below 40° F (4° C).
- Do not use a torch or other high temperature sources near system, cartridges, plastic fittings or plastic plumbing.
- Do not install near water pipes which will be in path of a drilling tool when selecting the position to mount the components.
- Mount system in such a position as to prevent it from being struck by other items used in the area of installation.
- Ensure that the location and fasteners will support the weight of the system when installed and full of water.
- When mounting tank and filter, screws provided are for use in wood studs or cabinets only. Use wall anchors (not supplied) for installation into plasterboard.
- Ensure all tubing and fittings are secure and free of leaks.
- Filtration system intended for use with plastic water lines (such as PEX tubing, PE Tubing, PP Tubing). Do not install using rigid piping.
- Do not install this system if any of the quick connect collets are missing from the filter head or Y-Quick Connector. Contact InSinkErator if collets are missing from any fittings (see back page for contact information).
- For systems using two handle HC model dispensers, operate only one handle at a time.
- Regularly inspect the system. If there are signs of water leakage, turn off the water supply and contact InSinkErator.
- A drain pan, plumbed to an appropriate drain or outfitted with a leak detector, should be used in those applications where any leakage could cause property damage.
- If you suspect elevated levels of chlorine in your water, or your water has a rusty appearance before the installation of this unit, use of InSinkErator's water filtration system is recommended.
- This product contains stainless steel. The manufacturer cannot guarantee against rusty water because of the number of factors that are involved beyond the manufacturer's control. However, the sudden appearance of rusty water discharged from the hot water dispenser may indicate the need for service or replacement of this product.
- Moving parts inside the tank causing a rattling noise is normal.
- For questions or concerns, please contact InSinkErator (see back page for contact information).

### ADDITIONAL CONSIDERATION WHEN UTILIZING INSINKERATOR'S FILTRATION SYSTEM:

- The disposable filter cartridge MUST be replaced every 6 months, at the rated capacity or sooner if a noticeable reduction in flow rate occurs.
- Failure to replace the disposable filter cartridge at recommended intervals may lead to reduced filter performance and cracks in the filter housing, causing water leakage or flooding.
- Protect from freezing, remove filter cartridge when temperatures are expected to drop below 40° F (4° C).
- Do not install systems in areas where ambient temperatures may go above 110° F (43° C).
- Do not install in direct sunlight or outdoors.

### IMPORTANT SAFETY INFORMATION

#### Save these instructions.

 <b>WARNING</b>	A potentially hazardous situation, which, if not avoided, could result in death or serious injury.
--	--

 <b>CAUTION</b>	A potentially hazardous situation, which, if not avoided, may result in minor or moderate injury.
--	---

<b>NOTICE</b>	Notice is used to address practices not related to personal injury.
---------------	---

- Use this hot water tank and dispenser system only for its intended use as described in the manual.
- This system can be used by children aged from 8 years and above and persons with reduced physical, sensory or mental capabilities or lack of experience and knowledge if they have been given supervision or instruction concerning use of the system in a safe way and understand the hazards involved. Children shall not play with the system. Cleaning and user maintenance shall not be made by children without supervision.
- Do not operate this product if it has been or appears to be damaged in any manner or after the product malfunctions, or is dropped. Return the complete product immediately to your retailer or dealer for inspection.
- If the tank supply cord is damaged, it must be replaced by the manufacturer, its service agent or similarly qualified persons in order to avoid a hazard.

 **WARNING:** To reduce the risk associated with choking: Do not allow children under 3 years of age to have access to small parts during the installation of this product.

 **WARNING: Electric Shock Hazard.** To reduce the risk of electric shock, do not immerse or expose the product, flexible cord or plug to rain, moisture or any liquid or when standing in or on damp or wet surfaces. If any electrical product falls into water, UNPLUG it immediately. DO NOT REACH INTO THE WATER. Important: Prior to reconnecting to the power supply, the product should be inspected by a qualified technician.

 **WARNING: Personal Injury/Property Damage.** To reduce the risk associated with hazardous voltage due to an installer drilling through existing electric wiring in the area of installation: Do not install near electric wiring or water pipes which may be in path of a drilling tool when selecting the position to mount the system bracket.

#### IMPORTANT

Always arrange the power cord so that it cannot come in contact with hot surfaces.

- Do not disconnect the product from the power supply by pulling on the cord.
- Do not coil power cord.
- The use of accessory attachments (i.e. power cords and power plug adapters) other than those recommended by the manufacturer may cause safety hazards.

 **WARNING: Electric Shock Hazard.** Using an ungrounded (no earth ground) or improperly connected appliance can result in serious injury or death from electrical shock.

**This appliance must be earthed (grounded).** This instant hot water tank is equipped with a cord that has a grounding conductor and earth ground pin. The plug must be connected to an appropriate outlet that is properly installed and earthed (grounded) in accordance with all local codes and ordinances. Do not modify the plug provided with the appliance - if it will not fit the outlet, have a proper outlet installed by a qualified electrician. Check with a qualified electrician or tradesperson if you are in doubt as to whether the instant hot water tank is properly earthed (grounded).

 **CAUTION: Personal Injury/Property Damage.** This tank is a non-pressurized tank. DO NOT modify this system. DO NOT close vent tube or connect other types of dispensers or valves to the tank. Use only the InSinkErator dispenser supplied. Use only parts provided. Contact InSinkErator for repairs or replacement components.

 **CAUTION: HOT!** This system can dispense near boiling water. Care and supervision should be taken to avoid scalding. Expose only items capable of safely withstanding the selected near boiling water settings.

 **WARNING:** To reduce the risk associated with the ingestion of contaminants: Do not use with water that is microbiologically unsafe or of unknown quality without adequate disinfection before or after the system.

An instant hot water tank, like any water heater, has a limited life and will eventually fail. To avoid possible property damage and personal injury, this instant hot water tank should be regularly examined for leakage and/or corrosion and replaced when necessary. A drain pan, plumbed to an appropriate drain or outfitted with a leak detector, should be used in those applications where any leakage could cause property damage.

 **WARNING: Fire Hazard.** To minimize possibility of fire, DO NOT store flammable items such as rags, paper or aerosol cans near the tank. DO NOT store or use petrol or other flammable vapors and liquids in the vicinity of this or any other appliance.

 **WARNING: Leak Hazard.** Regularly inspect dispenser and plumbing fittings for leaks, which can cause property damage and could result in personal injury.

- \* **NOTICE: Property Damage.** To reduce the risk associated with property damage due to water leakage or flooding, and to ensure optimal performance:
  - Read and follow all instructions before installation and use of this system.
  - Installation and use MUST comply with all state and local plumbing codes.

### WHAT YOU NEED TO GET STARTED

#### Equipment Required:

- Drill
- Adjustable wrench
- Phillips screwdriver
- Pencil
- Tape measure
- Level
- Angle Stop Valve (included with tank model HWT300-F200S)

#### Equipment You May Need:

- Anchors for plasterboard
- Basin wrench
- Tubing cutter
- Hole saw
- Hole punch

If you are not installing a filtration system, you will need 1/4" (6mm) tubing and a Y-Quick Connector (included with HWT300).

If you intend to use the sprayer hole in your sink for your dispenser, you may need a basin wrench and a 1/8" (3 mm) plug or a 1/4" (6 mm) cap (not supplied) for the faucet spray hose line.

If you need to cut a mounting hole in your stainless steel sink, you may need a 1-1/4" - 1-1/2" (3.2 cm - 3.8 cm) hole saw made for cutting stainless steel or a hole punch. Consult a professional if you are drilling into a surface other than stainless steel.



## ESPAÑOL

### QUÉ DEBE SABER ANTES DE EMPEZAR

- Consulte el manual de Instalación, mantenimiento y uso que viene con el tanque de agua caliente y el sistema de filtro para obtener más **información importante de seguridad** y las instrucciones de instalación del tanque.
- Componentes del tanque de agua caliente y sistema de filtración vendidos por separado.
-  Para su satisfacción y seguridad, lea todas las instrucciones, precauciones y advertencias antes de instalar o utilizar este dispensador.
- Esta unidad en particular no está preparada para uso comercial ni industrial.

### REQUISITOS DEL SISTEMA (TANQUE DE AGUA CALIENTE, SISTEMA DE FILTRO Y DISPENSADOR):

- Cerciórese de que todo el cableado, las tuberías y las conexiones eléctricas cumplan con los códigos locales.
- Se necesita un tomacorriente eléctrico estándar (con puesta a tierra) debajo del fregadero para la corriente eléctrica del dispensador de agua caliente instantáneo. El tomacorriente de la pared que acciona su depósito de agua caliente debe tener suministro continuo de energía.
- Este tomacorriente debe estar conectado con fusibles y no debe controlarse con el mismo interruptor de pared que opera el triturador, salvo que cuente con SinkTop Switch™ de InSinkErator®. El fusible/disuntor requerido es de 15 amperios para 120 voltios y de 10 amperios para 230 o 220-240 voltios.
- Fije el sistema de filtro solamente al suministro de agua fría. La temperatura máxima del agua de operación de este sistema es de 100 °F (38 °C). No instale el filtro en tuberías de suministro de agua caliente.
- Se recomienda instalar una válvula de control especial en la tubería de agua fría que suministre agua al sistema.
- Para evitar que se produzcan daños o que la unidad no funcione de manera correcta, la presión del agua debe ser de entre 30 psi y 125 psi (entre 2.1 bar y 8.6 bar; entre 210 kPa y 860 kPa). La temperatura ambiente debe ser de entre 40 °F (4 °C) y 110 °F (43 °C).
- No instale el sistema si la presión del agua supera los 125 psi (860 kPa).
- Si utiliza el filtro de agua, la presión del agua NO DEBE caer por debajo de 30 psi (210 kPa).
- No lo instale en lugares donde se puedan presentar condiciones de golpe de ariete. Si se dan estas condiciones, debe instalar un protector para golpe de ariete.
- Los tubos flexibles de ventilación y de salida se deben conectar de forma correcta al dispensador que proporcione el fabricante. No deben tener obstrucciones ni deben conectarse a un dispensador normal ni de otro tipo.
- Proteja la unidad del congelamiento, cierre el suministro de agua, retire el cartucho de filtro, drene el tanque de agua caliente y la tubería cuando prevea que las temperaturas descenderán por debajo de los 40 °F (4 °C).
- No utilice sopletes ni otras fuentes de temperatura elevada cerca del sistema, los cartuchos, los acoples plásticos o la tubería plástica.
- No instale el sistema en un lugar donde se evite que sea golpeado por otros objetos utilizados en el área de instalación.
- Cerciórese de que el lugar y los sujetadores soporten el peso del sistema cuando esté instalado y lleno de agua.
- Cuando se instale el depósito y el filtro, se deben utilizar los tornillos proporcionados solamente en travesaños de madera o en gabinetes. Use soportes de pared (no suministrados) para la instalación en placas de yeso.
- Asegúrese de que toda la tubería y los acoples estén sujetados con firmeza y que no tengan fugas.
- El sistema de filtro está diseñado para utilizarlo con tuberías plásticas de agua (como tubería PEX, PE, PP). No realice la instalación con tubería rígida.
- No instale este sistema si falta alguno de los collares de conexión rápida en el cabezal del filtro o el conector rápido en Y. Comuníquese con InSinkErator si faltan los collares de cualquiera de los acoples (en el reverso de la página encontrará la información de contacto).
- En los sistemas que utilizan dispensadores modelo HC de dos manijas, opere solo una manija a la vez.
- Inspeccione el sistema con regularidad. Si hay señales de fugas de agua, cierre el suministro de agua y comuníquese con InSinkErator.
- Se recomienda instalar un depósito de desagüe conectado a un desagüe adecuado o equipado con un detector de fugas en aquellos usos en los que las fugas puedan causar daños materiales.
- Si usted sospecha que hay niveles elevados de cloro en el agua o si el agua tiene una apariencia ferrosa antes de instalar esta unidad, se recomienda utilizar el sistema de filtración de agua de InSinkErator.
- Este producto contiene acero inoxidable. El fabricante no puede garantizar que no vaya a salir agua oxidada debido a la cantidad de factores involucrados que están fuera del control del fabricante. No obstante, la apariencia repentina de agua ferrosa descargada del distribuidor de agua caliente puede indicar la necesidad de servicio o reemplazo de este producto.
- El ruido de repiqueteo generado por el movimiento de partes dentro del depósito es normal.
- Si tiene preguntas o inquietudes, comuníquese con InSinkErator (en el reverso de la página encontrará la información de contacto).

### CONSIDERACIONES ADICIONALES CUANDO UTILICE EL SISTEMA DE FILTRO INSINKERATOR:

- El cartucho desechable del filtro se DEBE reemplazar cada 6 meses, según la capacidad asignada, o antes si se presenta una reducción evidente del caudal de flujo.
- Si no se reemplaza el cartucho desechable según la frecuencia recomendada, se podrá ver reducido el funcionamiento de filtro y podrán producirse grietas en la caja del filtro, lo que causará fugas y desbordes de agua.
- Proteja el filtro del congelamiento; retire el cartucho del filtro cuando se prevea que las temperaturas pueden descender por debajo de los 40 °F (4 °C).
- No instale el sistema en áreas donde la temperatura ambiente pueda superar los 110 °F (43 °C).
- No realice la instalación en la luz directa del sol o en exteriores.

### INFORMACIÓN IMPORTANTE PARA SU SEGURIDAD

#### Guarde estas instrucciones.

 <b>ADVERTENCIA</b>	Una situación potencialmente peligrosa que, si no se evita, puede ocasionar lesiones graves o incluso la muerte.
--	--

 <b>PRECAUCIÓN</b>	Una situación potencialmente peligrosa que, si no se evita, podría ocasionar lesiones leves o moderadas.
---	--

<b>AVISO</b>	Aviso hace referencia a prácticas que no presentan riesgos de generar lesiones personales.
--------------	--

- Utilice este tanque de agua caliente y el sistema dispensador solamente según su uso previsto, como se describe en el manual.
- Este sistema puede ser utilizado por niños de 8 años o más y personas con capacidades físicas, sensoriales o mentales disminuidas, o con falta de experiencia y conocimiento si se les ha brindado supervisión o instrucciones con respecto al uso seguro del sistema y si entienden los riesgos implicados. Los niños no deben jugar con el sistema. Los niños no deben realizar limpieza ni mantenimiento del equipo sin supervisión.
- No opere este producto si está dañado, si parece tener algún daño, si presenta fallas o se cae. Devuelva el producto completo de inmediato a su distribuidor o a su vendedor para que lo inspeccionen.
- Si el cable de suministro del tanque está dañado, el fabricante, el agente de servicio u otra persona con calificaciones similares debe reemplazarlo para evitar riesgos.

 **ADVERTENCIA:** Para reducir el riesgo de asfixia: No permita que los niños menores de 3 años accedan a piezas pequeñas durante la instalación de este producto.

 **ADVERTENCIA: Riesgo de choque eléctrico.** A fin de reducir el riesgo de choque eléctrico, no sumerja ni exponga el producto, ni el cable flexible ni el enchufe a la lluvia, la humedad ni a ningún líquido ni se pare en charcos o superficies húmedas. Si cualquier producto eléctrico cae al agua, DESCONÉCTELO de inmediato. NO SE INTRODUZCA EN EL AGUA. Importante: Antes de volver a conectar la fuente de alimentación, un técnico calificado debe inspeccionar el producto.

 **ADVERTENCIA: Lesiones personales y daños materiales.** Para reducir el riesgo de tensión peligrosa debido a que el instalador perforó el cableado eléctrico en el área de la instalación: No realice la instalación cerca de cableado eléctrico o de tuberías de agua que puedan quedar en la trayectoria del taladro cuando seleccione la ubicación de montaje del soporte del sistema.

#### IMPORTANTE

Siempre ubique el cable de electricidad donde no pueda entrar en contacto con superficies calientes.

- No desconecte el producto de la fuente de alimentación halando el cable.
- No enrolle el cable de electricidad.
- Si a los accesorios (como el cable de electricidad o los adaptadores del enchufe) se les da un uso diferente del recomendado por el fabricante, podrían presentarse riesgos para la seguridad.

 **ADVERTENCIA: Riesgo de choque eléctrico.** Utilizar un aparato conectado incorrectamente o sin conexión a tierra puede ocasionar lesiones graves o incluso la muerte por choque eléctrico.

**Este aparato debe tener conexión a tierra.** Este tanque de agua caliente instantánea está equipado con un cable que tiene un conductor a tierra y una espiga de conexión a tierra. El enchufe debe estar conectado a un tomacorriente apropiado que esté instalado correctamente y con conexión a tierra de acuerdo con todos los reglamentos y códigos locales. No modifique el enchufe que viene con el artefacto. Si no coincide con el tipo de tomacorriente, solicite a un electricista calificado que instale un tomacorriente adecuado. Consulte con un electricista calificado o con el comerciante si tiene dudas sobre la conexión a tierra adecuada del tanque de agua caliente instantánea.

 **PRECAUCIÓN: Lesiones personales y daños materiales.** Este tanque no es presurizado. NO modifique este sistema. NO cierre el tubo de ventilación ni conecte otro tipo de dispensadores o válvulas al depósito. Use sólo el dispensador InSinkErator suministrado. Use sólo las piezas suministradas. Comuníquese con InSinkErator para reparar o reemplazar los componentes.

 **PRECAUCIÓN: ¡CALIENTE!** Este sistema puede suministrar agua casi hirviendo. Se debe tener cuidado y usarlo bajo supervisión para evitar quemaduras. Solo exponer elementos que puedan resistir con seguridad la configuración de agua casi hirviendo seleccionada.

 **ADVERTENCIA:** Para reducir el riesgo de ingestión de contaminantes: No use el producto con agua que sea microbiológicamente insegura o de dudosa calidad sin realizar una desinfección adecuada antes o después de utilizar el sistema.

Un tanque de agua caliente instantánea, como cualquier calentador de agua, tiene una vida limitada y fallará eventualmente. Para evitar posibles daños materiales o lesiones personales, este tanque de agua caliente instantánea debe someterse regularmente a exámenes de fugas, y deberá reemplazarse cuando sea necesario. Se recomienda instalar un depósito de desagüe conectado a un desagüe adecuado o equipado con un detector de fugas en aquellos usos en los que las fugas puedan causar daños materiales.

 **ADVERTENCIA: Riesgo de incendio.** Para disminuir las posibilidades de que se produzca un incendio, NO guarde productos inflamables, tales como trapos, papel o aerosol enlatados, cerca del depósito. NO almacene ni utilice petróleo u otros vapores y líquidos inflamables cerca de este u otros artefactos.

 **ADVERTENCIA: Riesgo de fugas.** Revise periódicamente el dispensador y los acoples de plomería para ver si hay fugas que puedan ocasionar daños materiales y provocar lesiones personales.

- \* **AVISO: Daños materiales.** Para reducir el riesgo relacionado con daños materiales por fugas y desbordes de agua, y para garantizar un funcionamiento óptimo:
  - Lea y siga todas las instrucciones antes de instalar y utilizar este sistema.
  - La instalación y el uso DEBEN cumplir con todos los códigos estatales y locales de plomería.

### QUÉ NECESITA PARA COMENZAR

#### Equipo necesario:

- Taladro
- Llave ajustable
- Destornillador Phillips
- Lápiz
- Cinta métrica
- Nivel
- Válvula de paso angular (incluida con el modelo de depósito HWT300-F200S)

#### Equipo que puede necesitar:

- Soportes para placas de yeso
- Llave de lavabo
- Cortatubos
- Sierra perforadora
- Perforador

Si no está instalando un sistema de filtración, necesitará una tubería de 4" (6 mm) y un conector rápido en Y (incluido con HWT300).

Si pretende usar el orificio del vaporizador en el fregadero para el dispensador, necesita una llave de lavabo y un tapón de 1/8 pulg. (0.3 cm) o una tapa de 1/4 pulg. (0.6 cm) (no suministrados) para la tubería de manguera del orificio del vaporizador del grifo.

Si necesita cortar un orificio de montaje en el fregadero de acero inoxidable, es posible que necesite una sierra perforadora de 1-1/4 pulg. a 1-1/2 pulg. (3.2 cm a 3.8 cm) para cortar acero inoxidable o un perforador. Consulte a un profesional si desea perforar en una superficie que no sea de acero inoxidable.



## FRANÇAIS

### CE QUE VOUS DEVEZ SAVOIR AVANT DE COMMENCER

- Veuillez vous reporter au manuel d'installation, d'entretien et d'utilisation joint à votre réservoir et à votre système de filtration pour obtenir d'autres **renseignements importants sur la sécurité** et l'installation du réservoir.
- Composants du réservoir d'eau chaude et du système de filtration vendus séparément.
- ⚠ Pour votre satisfaction et votre sécurité, veuillez lire toutes les directives, les mises en garde et les avertissements avant d'installer ou d'utiliser ce distributeur.
- Ce modèle n'est pas destiné à un usage commercial ou industriel.

### EXIGENCES DU SYSTÈME (RÉSEROIR D'EAU CHAUDE, SYSTÈME DE FILTRATION ET DISTRIBUTEUR) :

- Assurez-vous que le câblage électrique et les raccordements de tuyaux sont conformes aux codes locaux.
- Une prise de courant standard mise à la terre est requise sous l'évier pour l'alimentation électrique du distributeur d'eau chaude instantanée. La prise murale alimentant votre réservoir d'eau chaude doit être continuellement sous tension.
- Cette prise doit être protégée par fusible ou disjoncteur et ne doit pas être commandée par le même interrupteur mural qui actionne le broyeur, à moins qu'un interrupteur SinkTop Switch™ d'InSinkErator® soit installé. L'intensité du fusible ou du disjoncteur protégeant la prise doit être de 15 ampères à 120 volts et de 10 ampères à 230 ou 220-240 volts.
- Raccordez le système de filtration à l'alimentation en eau froide seulement. La température d'exploitation maximale de l'eau de ce système est de 38 °C (100 °F). N'installez pas le filtre sur des conduites d'eau chaude.
- Il est recommandé qu'un robinet d'arrêt soit installé sur la conduite d'eau froide approvisionnant le système en eau.
- Pour éviter d'endommager l'appareil ou de nuire à son bon fonctionnement, la pression de l'eau doit se trouver entre 30 et 860 kPa (entre 30 et 125 lb/po<sup>2</sup>). La température ambiante de la pièce doit être comprise entre 4 et 43 °C (entre 40 et 110 °F).
- N'installez pas l'appareil si la pression de l'eau excède 860 kPa (120 lb/po<sup>2</sup>).
- L'utilisation d'un filtre à eau NE doit PAS faire chuter la pression sous 210 kPa (30 lb/po<sup>2</sup>).
- N'installez pas l'appareil à un endroit sujet aux coups de bélier. S'il y a un risque de coups de bélier, vous devez installer un antibélier.
- Les tubes de sortie et d'aération flexibles doivent être correctement reliés au distributeur fourni par le fabricant. Ils ne doivent pas être obstrués ou reliés à un distributeur de type normal ou autre.
- Lorsque la température ambiante menace de chuter sous les 4 °C (40 °F), protégez le système du gel, coupez l'alimentation en eau, retirez la cartouche de filtre, et videz le réservoir d'eau chaude et les tubes.
- N'utilisez pas un chalumeau ou une autre source de chaleur intense près du système, des cartouches, des raccords en plastique ou de la plomberie en plastique.
- N'installez pas le système près de conduites d'eau qui risqueraient d'être atteintes par un outil de perçage lors de l'installation des composants.

- Installez le système de façon à éviter qu'il soit frappé par d'autres articles utilisés à proximité.
- Assurez-vous que l'emplacement et la capacité des pièces de fixation permettront de soutenir le poids du système lorsqu'il sera installé et rempli d'eau.
- Les vis fournies pour l'installation du réservoir et du filtre sont conçues pour être utilisées uniquement dans des montants ou des armoires en bois. Utilisez des chevilles d'ancrage (non fournies) pour l'installation dans une cloison sèche.
- Assurez-vous que les tubes et les raccords sont solides et qu'ils ne fuient pas.
- Le système de filtration est conçu pour être utilisé avec des conduites d'eau en plastique (tubes en polyéthylène réticulé, en polyéthylène ou en polypropylène). N'installez pas le système au moyen de tuyauterie rigide.
- N'installez pas ce système s'il manque l'un ou l'autre des collets de raccordement rapide de la tête de filtre ou du connecteur rapide en Y. Veuillez communiquer avec InSinkErator s'il manque un collet à l'un ou l'autre des raccords (voir les coordonnées figurant au dos du manuel).
- Si le système utilise un distributeur HC à deux leviers (pour l'eau chaude et l'eau froide), n'utilisez qu'un levier à la fois.
- Examinez périodiquement le système. S'il y a des signes de fuite d'eau, coupez l'alimentation en eau et communiquez avec InSinkErator.
- Dans les installations où une fuite pourrait causer des dommages matériels, utilisez un bac de récupération raccordé à un tuyau d'évacuation convenable ou muni d'un détecteur de fuite.
- Si vous croyez que le niveau de chlore dans votre eau est élevé ou si l'eau vous semble rouillée avant d'installer l'appareil, il est recommandé d'utiliser le système de filtration d'eau d'InSinkErator.
- Ce produit contient de l'acier inoxydable. Le fabricant n'offre pas de garantie contre l'eau rouillée à cause des nombreux facteurs en jeu qui sont indépendants de sa volonté. Cependant, l'apparition subite d'une eau rouillée à la sortie du distributeur d'eau chaude peut indiquer que le produit doit être réparé ou remplacé.
- Il est normal que les pièces mobiles à l'intérieur du réservoir causent un cliquetis.
- En cas de doute ou de question, veuillez communiquer avec InSinkErator (voir les coordonnées figurant au dos du manuel).

### CONSIDÉRATIONS SUPPLÉMENTAIRES CONCERNANT LE SYSTÈME DE FILTRATION :

- La cartouche de filtre jetable DOIT être remplacée tous les six mois si utilisée à sa capacité nominale, ou plus tôt si vous remarquez une réduction perceptible du débit.
- Le non-remplacement de la cartouche de filtre jetable au moment recommandé peut entraîner une chute de rendement du filtre et la formation de fissures dans le boîtier du filtre, causant ainsi des fuites d'eau ou un débordement.
- Protégez du gel; retirez la cartouche du filtre lorsque les températures doivent descendre en-deçà de 4 °C (40 °F).
- N'installez pas les systèmes dans les zones où les températures ambiantes peuvent monter au-delà de 43 °C (110 °F).
- N'installez pas le système directement au soleil ou à l'extérieur.

### RENSEIGNEMENTS IMPORTANTS SUR LA SÉCURITÉ

#### Conservez ces directives.

 <b>AVERTISSEMENT</b>	Signale une situation potentiellement dangereuse qui, si elle n'est pas évitée, peut entraîner des blessures graves, voire fatales.
 <b>MISE EN GARDE</b>	Signale une situation potentiellement dangereuse qui, si elle n'est pas évitée, peut entraîner des blessures modérées ou mineures.
<b>AVIS</b>	Signale une pratique qui ne présente pas de risque de blessures.

- Utilisez ce système réservoir et de distributeur d'eau chaude uniquement pour l'usage auquel il est destiné, décrit dans le manuel.
- Ce système peut être utilisé par des enfants de huit ans et plus ainsi que par des personnes ayant des capacités physiques, sensorielles ou mentales réduites, ou ayant peu d'expérience ou de connaissances, si elles sont supervisées ou qu'on leur a enseigné l'utilisation sécuritaire du système et qu'elles en comprennent les dangers. Les enfants ne doivent pas jouer avec le système. Le nettoyage et l'entretien ne doivent pas être effectués par des enfants sans supervision.
- Ne faites pas fonctionner l'appareil s'il a été endommagé ou qu'il semble l'avoir été, ou après qu'il a mal fonctionné ou qu'il a été échappé. Remplacez immédiatement le produit complet à votre détaillant pour le faire inspecter.
- Si le cordon d'alimentation du réservoir est endommagé, il doit être remplacé par le fabricant, par son agent de service ou par une personne de qualification équivalente afin d'éviter tout danger.

 **AVERTISSEMENT :** Pour réduire le risque associé à la suffocation : durant l'installation de ce produit, ne laissez pas les petite pièces à la portée des enfants de moins de trois ans.

 **AVERTISSEMENT : Danger de choc électrique.** Pour réduire le risque de choc électrique, n'immergez pas l'appareil, le cordon flexible ou la fiche et ne les exposez pas à la pluie, à l'humidité ou à tout liquide et évitez de vous vous tenir sur des surfaces humides ou mouillées ou dans l'eau. Si un appareil électrique tombe dans l'eau, DÉBRANCHEZ-LE immédiatement. NE PLONGEZ PAS LA MAIN DANS L'EAU POUR LE RÉCUPÉRER. Important : Avant de brancher de nouveau l'appareil électrique, faites examiner celui-ci par un technicien qualifié.

 **AVERTISSEMENT : Dommages matériels et blessures corporelles.** Pour réduire le risque d'exposition à une tension dangereuse due au perçage par l'installateur de fils électriques dans la zone d'installation : au moment de choisir où installer le système et son support de montage, n'optez pas pour un emplacement à proximité de fils électriques ou de conduites pouvant faire obstacle à un outil de perçage.

#### IMPORTANT

- placez toujours le cordon d'alimentation de manière à ce qu'il ne puisse pas entrer en contact avec des surfaces chaudes.
- Ne débranchez pas l'appareil de la prise de courant en tirant sur le cordon.
- N'enroulez pas le cordon d'alimentation.
- L'utilisation d'accessoires (cordons d'alimentation ou adaptateurs de prise) autres que ceux qui sont recommandés par le fabricant peut causer des accidents.

 **AVERTISSEMENT : Danger de choc électrique.** L'utilisation d'un appareil sans mise à la terre ou mal raccordé peut entraîner des blessures graves ou la mort par électrisation.

**Cet appareil doit être mis à la terre.** Ce réservoir d'eau chaude instantanée est muni d'un cordon doté d'un conducteur de mise à la terre et d'une fiche avec broche de mise à la terre. La fiche doit être branchée sur une prise adaptée qui est correctement installée et mise à la terre conformément à tous les codes et règlements en vigueur. Ne modifiez pas la fiche fournie avec l'appareil - si la fiche ne s'adapte pas à la prise de courant, faites poser une prise adéquate par un électricien qualifié. Si vous n'êtes pas sûr que la mise à la terre du réservoir d'eau chaude instantanée a été correctement effectuée, demandez l'avis d'un électricien ou d'un ouvrier qualifié.

 **MISE EN GARDE : Dommages matériels et blessures corporelles.** Ce réservoir n'est pas pressurisé. NE MODIFIEZ PAS ce système. NE FERMEZ PAS le tube d'aération et ne raccordez pas d'autres types de distributeurs au réservoir. Utilisez seulement le distributeur de marque InSinkErator fourni. Utilisez seulement les pièces fournies. Communiquez avec InSinkErator pour toute réparation ou pour obtenir des composants de rechange.

 **MISE EN GARDE : BRÛLANT!** Ce système peut distribuer de l'eau bouillante. Des précautions doivent être prises et une supervision assurée pour éviter les brûlures. Exposer uniquement des articles pouvant résister à l'eau bouillante au réglage sélectionné.

 **AVERTISSEMENT :** Pour réduire le risque associé à l'ingestion de contaminants : n'utilisez pas l'appareil avec de l'eau qui est insalubre ou de salubrité inconnue sans une désinfection adéquate en amont ou en aval du système.

Un réservoir d'eau chaude instantanée, comme tout chauffe-eau, a une durée utile limitée et tombera en panne tôt ou tard. Pour éviter tout dommage matériel et toute blessure corporelle, ce robinet d'eau chaude instantanée doit être examiné périodiquement à l'arrêt de fuites et de corrosion. Il doit être remplacé si nécessaire. Dans les installations où une fuite pourrait causer des dommages matériels, utilisez un bac de récupération raccordé à un tuyau d'évacuation convenable ou muni d'un détecteur de fuite.

 **AVERTISSEMENT : Risque d'incendie.** Pour minimiser le risque d'incendie, NE rangez PAS des articles inflammables comme des chiffons, du papier ou des bombes aérosols près du réservoir. NE rangez PAS et N'utilisez PAS d'essence ou tout autre liquide inflammable ou produisant des vapeurs inflammables près de cet appareil ou de tout autre appareil.

 **AVERTISSEMENT : Risque de fuite.** Inspectez périodiquement le distributeur et les raccords de plomberie pour détecter les fuites qui pourraient entraîner des dommages matériels, lesquels pourraient causer des blessures.

- \* **AVIS : Dommages matériels.** Pour réduire le risque associé aux dommages matériels causés par des fuites ou par l'eau, et pour assurer une performance optimale :
  - Lisez et suivez l'ensemble des directives avant d'installer et d'utiliser ce système.
  - L'installation et l'utilisation DOIVENT se conformer aux codes de plomberie en vigueur.

### CE DONT VOUS AVEZ BESOIN POUR COMMENCER

#### Équipement requis :

- Perceuse
- Clé à molette
- Tournevis à pointe cruciforme
- Crayon
- Un ruban à mesurer
- Un niveau
- Robinet d'arrêt d'équerre (fourni avec le modèle de réservoir HWT300-F2000S)

#### Équipement dont vous pourriez avoir besoin :

- Dispositifs d'ancrage pour cloison sèche
- Clé pour lavabo
- Coupe-tubes
- Scie-cloche
- Emporte-pièce

Si vous n'installez pas de système de filtration, un tube de  $\pm$  po (6 mm) et un raccord rapide en Y (inclus avec le modèle HWT300) seront requis.

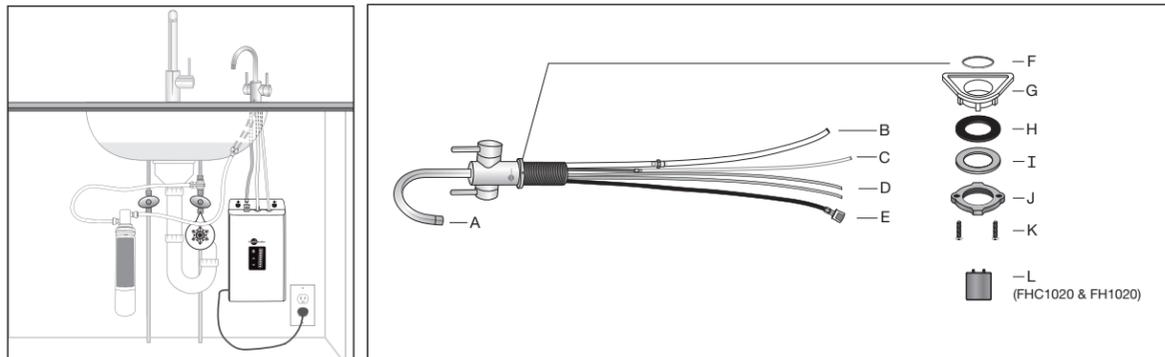
Si vous avez l'intention d'installer le distributeur dans la douche de votre évier, vous pourriez avoir besoin d'une clé pour lavabo et d'un bouchon mâle de 3 mm (1/8 po) ou d'un bouchon femelle de 6 mm (1/4 po) (non fourni) pour fermer l'alimentation de la douche.

Si vous devez percer un trou pour le montage dans votre évier en acier inoxydable, vous pourriez avoir besoin d'un emporte-pièce ou d'une scie-cloche de 3,2 à 3,8 cm (de 1-1/4 à 1-1/2 po) de diamètre adapté à la découpe de l'acier inoxydable. Consultez un professionnel si vous devez percer une autre matière que l'acier inoxydable.

### OVERVIEW OF COMPLETE SETUP

### DESCRIPCIÓN GENERAL DE LA CONFIGURACIÓN COMPLETA

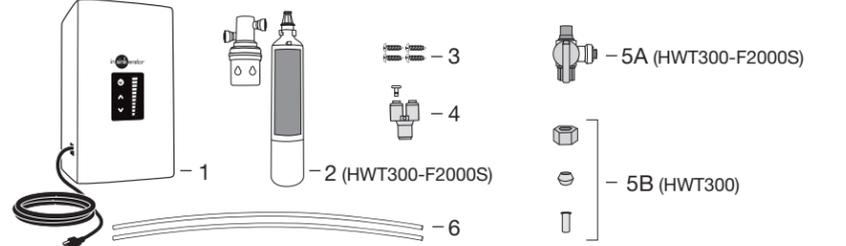
### PRÉSENTATION GÉNÉRALE DE L'INSTALLATION COMPLÈTE



### HOT WATER TANK AND FILTRATION COMPONENTS (SOLD SEPARATELY)

### COMPONENTES DEL TANQUE DE AGUA CALIENTE Y SISTEMA DE FILTRACIÓN (VENDIDOS POR SEPARADO)

### COMPOSANTS DU RÉSERVOIR D'EAU CHAUDE ET DU SYSTÈME DE FILTRATION (VENDUS SÉPARÉMENT)



## ENGLISH

- Instant Hot Water Dispenser
- Large Diameter Silicone Tank Outlet Tube
- Silicone Tank Vent Tube
- Polyethylene Water Inlet Tube (HC faucet: Hot = Clear, hard plastic tube; Cold = Blue tube)
- Polyethylene Water Outlet Tube (Black Tube)
- O Ring (pre-installed in faucet)
- Plastic Tripod
- Rubber Gasket
- Metal Gasket
- Locking Nut
- Locking Screws (2)
- End Piece Removal Tool (Only for models FHC1020 & FH1020)

- Hot Water Tank
- Filter Head and Cartridge
- 3/4" (19mm) Screws (4)
- Y-Quick Connector
- 5A.Angle Stop Valve
- 5B.Connector(s) and Fittings
- Filter Tubes (2)

## ESPAÑOL

- Dispensador de agua caliente
- Tubo de salida del depósito de silicona de diámetro grande
- Tubo de ventilación del depósito de silicona
- Tubo de entrada de agua de polietileno (grifo HC: caliente = tubo de plástico duro, transparente; frío = tubo azul)
- Tubo de salida de agua de polietileno (tubo negro)
- O Ring (pre-instalado en el grifo)
- Junta tórica (instalado previamente en el grifo)
- Trípode de plástico
- Junta de goma
- Locking Nut
- Tuerca de bloqueo
- Tornillos de bloqueo (2)
- Herramienta de extracción del extremo (Solo para modelos FHC1020 y FH1020)

- Tanque de agua caliente
- Cabezal de filtro y cartucho
- Tornillos de 19mm (3/4") (4)
- Conector rápido en "Y"
- 5A. Válvula de paso angular
- 5B. Conector(es) y acoples
- Tubos del filtro (2)

### IMPORTANT INSTALLATION INFORMATION / INFORMACIÓN IMPORTANTE DE INSTALACIÓN / RENSEIGNEMENTS IMPORTANTS SUR L'INSTALLATION

\* **Notice: Property Damage:** Before installing this system be aware of the following requirements to avoid water leakage which could cause property damage. After completing installation check the system to ensure these requirements are complied with.

\* **Aviso: Daños materiales:** Antes de instalar este sistema, tenga en cuenta los siguientes requisitos para evitar fugas de agua que podrían causar daños en la propiedad. Después de completar la instalación, revise el sistema para asegurarse de que se haya cumplido con los requisitos.

\* **AVIS : Dommages matériels :** Avant d'installer ce système, prenez en compte les exigences suivantes pour éviter toute fuite d'eau susceptible de provoquer des dégâts matériels. Une fois l'installation terminée, vérifiez le système pour vous assurer que ces exigences sont respectées.

### QUICK CONNECTIONS / CONEXIONES RÁPIDAS / RACCORDEMENTS RAPIDES

Ensure that the tubes are straight near the quick connections. Avoid side loading the quick connection.

Asegúrese de que los tubos estén rectos cerca de las conexiones rápidas. Evite generar carga lateral en la conexión rápida.

Assurez-vous que les tubes sont bien droits à proximité des raccordements rapides. Évitez de charger latéralement le raccordement rapide.

Ensure that the tube is pushed all the way into the quick connection.

Asegúrese de que el tubo se introduzca totalmente en la conexión rápida.

Assurez-vous que le tube est poussé à fond dans le raccordement rapide.

Regularly inspect all quick connections for leaks. Turn off the water supply immediately if a leak is detected or the connector appears damaged. Replace the quick connector before turning the water back on. If cleaning any of the connection or tubing, use only water.

Períodicamente, revise si hay fugas en las conexiones rápidas. Cierre el suministro de agua inmediatamente después de detectar una fuga o si el conector parece estar dañado. Reemplace el conector rápido antes de conectar nuevamente el suministro de agua. Si limpia la conexión o el tubo, utilice solamente agua.

Inspectez périodiquement tous les raccordements rapides pour détecter les fuites. Fermez immédiatement l'arrivée d'eau si une fuite est détectée ou si le raccord semble endommagé. Remplacez le raccord rapide endommagé en place avant de rouvrir l'eau. Pour le nettoyage d'un raccordement ou d'un tube, utilisez uniquement de l'eau.

### PLASTIC TUBING / TUBERÍA PLÁSTICA / TUBE EN PLASTIQUE

1/4" OD Tubing: Minimum is 1" (25.4 mm)

3/8 OD Tubing: Minimum is 1.25" (31.8 mm)

Tubería de 1/4 pulg. (0.6 cm) de diámetro exterior: El mínimo es 1 pulgada (2.54 cm)

Tubería de 3/8 pulg. (0.9 cm) de diámetro exterior: El mínimo es 1.25 pulgada (3.18 cm)

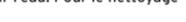
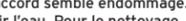
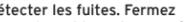
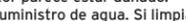
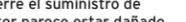
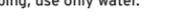
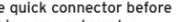
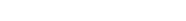
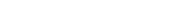
Diam. ext. de 6 mm (1/4 po) : minimum de 25,4 mm (1 po)

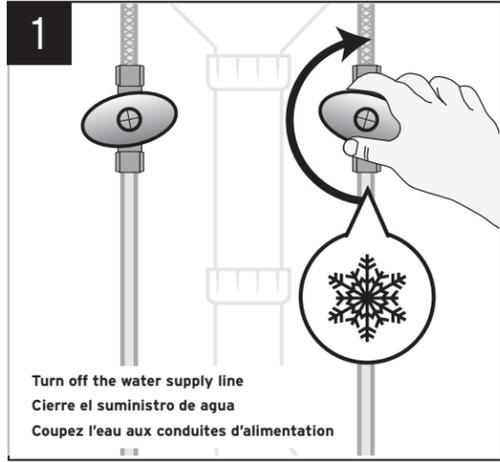
Diam. ext. de 9,5 mm (3/8 po) : minimum de 31,8 mm (1,25 po)

Ensure the plastic tube with the quick connection that is attached to the hot water tank is straight for 1" (25.4 mm) above the connection.

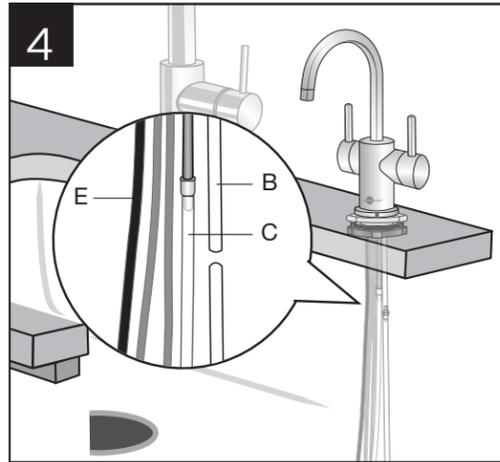
Asegúrese de que el tubo plástico con la conexión rápida adherida al tanque de agua caliente esté recto 1 pulgada (25.4 mm) por arriba de la conexión.

Assurez-vous que le tube en plastique comportant le raccordement rapide fixé au réservoir d'eau chaude est droit sur 25,4 mm (1 po) au-dessus du raccordement.

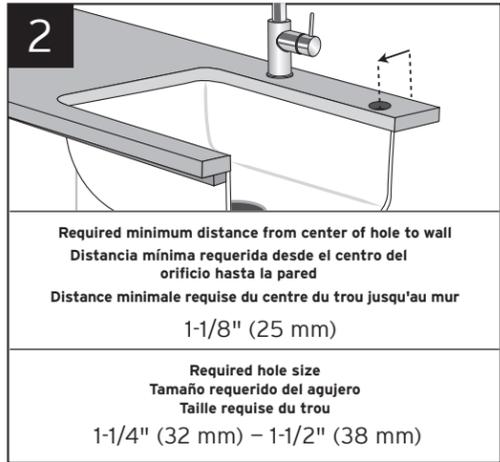




Turn off the water supply line  
Cierre el suministro de agua  
Coupez l'eau aux conduites d'alimentation



- \* **NOTICE: Property Damage.** Do not pinch or break the last 1" (25mm).
- \* **AVISO: Daños materiales.** No apriete ni quiebres el último tramo de 1 pulgada (25 mm).
- \* **AVIS : dommages matériels.** Ne pincez ou ne cassez pas les derniers 25 mm (1 po).



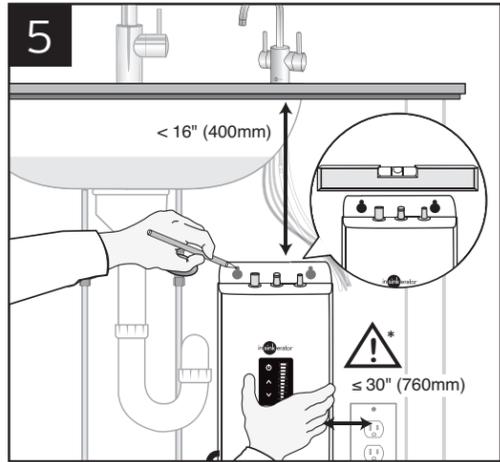
Required minimum distance from center of hole to wall  
Distancia mínima requerida desde el centro del orificio hasta la pared  
Distance minimale requise du centre du trou jusqu'au mur  
1-1/8" (25 mm)

Required hole size  
Tamaño requerido del agujero  
Taille requise du trou  
1-1/4" (32 mm) – 1-1/2" (38 mm)

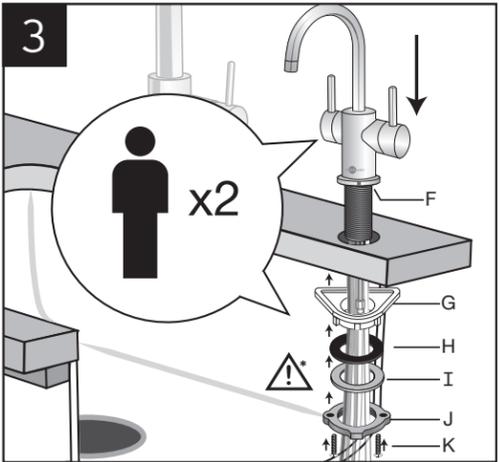
**Note:** If you have to drill through sink or countertop, you may need to rent or purchase the appropriate tools. Maximum counter thickness is 3" (76 mm).

**Nota:** Si tiene que taladrar a través del fregadero o la encimera, es posible que necesite alquilar o comprar las herramientas apropiadas. El grosor máximo del espacio es de 76 mm (3").

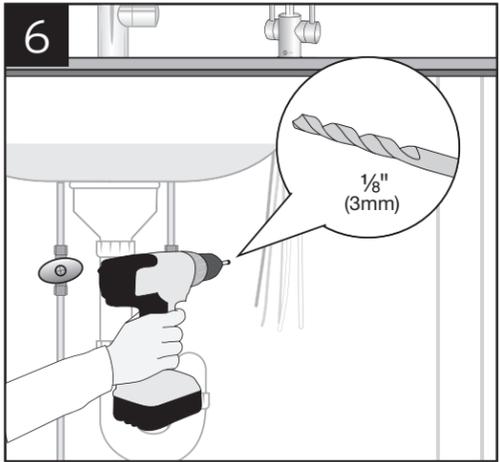
**Remarque :** Si vous devez percer dans un évier ou un comptoir, vous pourrez devoir louer ou vous procurer les outils appropriés. Le comptoir ne doit pas mesurer plus de 3 po (76 mm) d'épaisseur.



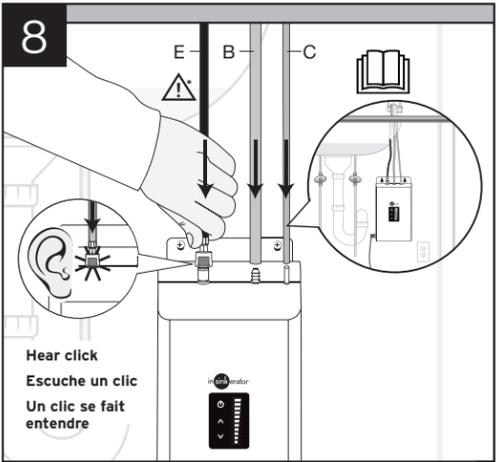
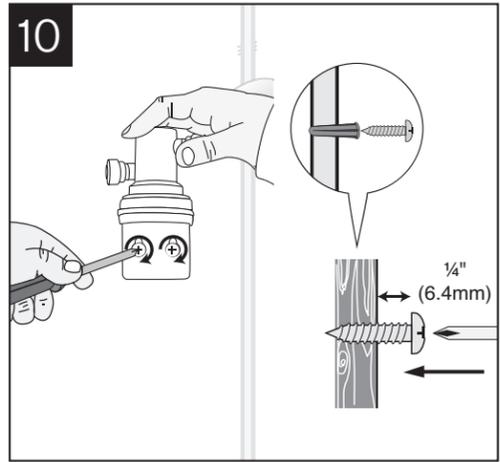
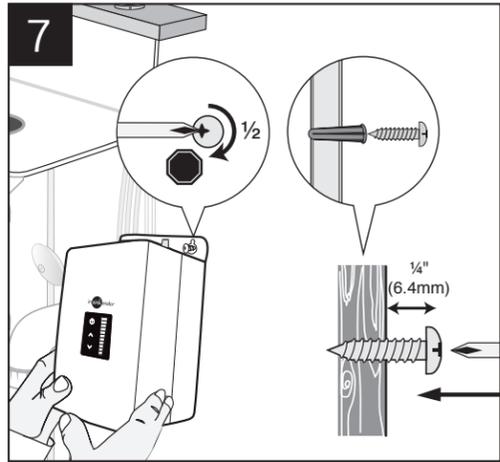
- \* **NOTICE: Property Damage.** Do not plug in hot water tank. Tank must be located within 16" (400 mm) of instant hot water dispenser and within 30" (760 mm) or less of a standard earth (grounded) outlet. DO NOT extend plumbing or electrical lines.
- \* **AVISO: Daños materiales.** No conecte el tanque de agua caliente. El depósito debe estar ubicado dentro de los 400 mm (16") del dispensador de agua caliente instantáneo y dentro de los 760 mm (30") o menos del tomacorriente estándar (con puesta a tierra). NO extienda las tuberías ni las líneas eléctricas.
- \* **AVIS : dommages matériels.** Ne branchez pas le réservoir d'eau chaude. Le réservoir doit se trouver à une distance de 16 po (400 mm) du distributeur d'eau chaude instantanée et à une distance de 30 po (760 mm) ou moins de la prise mise à la terre. NE prolongez PAS les conduites de plomberie ou d'électricité.



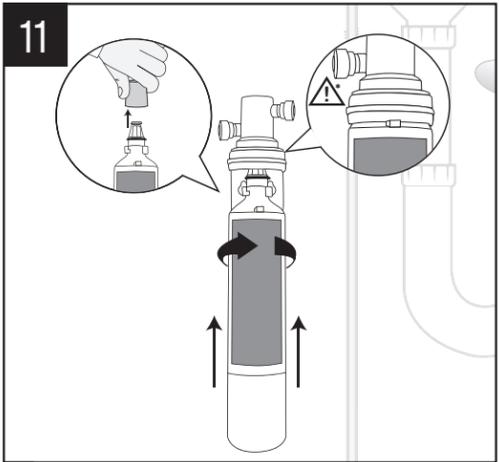
- Note:** Screws (item K) used to lock all mounting components in place.
- Nota:** Tornillos (elemento K) utilizados para colocar todos los componentes de montaje en lugar.
- Remarque :** Vis (article K) utilisées pour verrouiller tous les composants de montage en place.



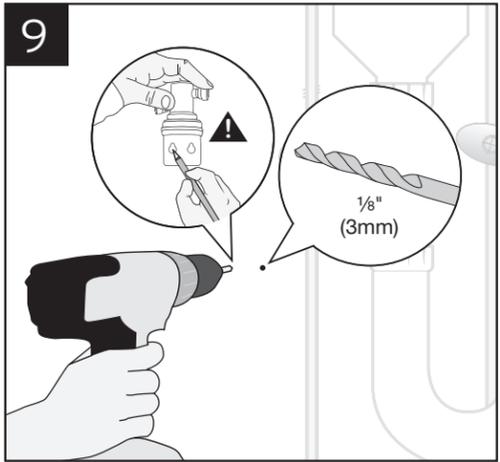
- ! **WARNING: Personal Injury/Property Damage.** To reduce the risk associated with hazardous voltage due to an installer drilling through existing electric wiring in the area of installation: Do not install near electric wiring or water pipes which may be in path of a drilling tool when selecting the position to mount the system bracket.
- ! **ADVERTENCIA: Lesiones personales y daños materiales.** Para reducir el riesgo de tensión peligrosa debido a que el instalador perforó el cableado eléctrico en el área de la instalación: No realice la instalación cerca de cableado eléctrico o de tuberías de agua que puedan quedar en la trayectoria del taladro cuando seleccione la ubicación de montaje del soporte del sistema.
- ! **AVERTISSEMENT: Dommages matériels et blessures corporelles.** Pour réduire le risque de choc électrique, n'immergez pas l'appareil, le cordon flexible ou la fiche et ne les exposez pas à la pluie, à l'humidité ou à tout liquide et évitez de vous tenir sur des surfaces humides ou mouillées ou dans l'eau. Si un appareil électrique tombe dans l'eau, DÉBRANCHEZ-LE immédiatement. NE PLONGEZ PAS LA MAIN DANS L'EAU POUR LE RÉCUPÉRER. Important : Avant de brancher de nouveau l'appareil électrique, faites examiner celui-ci par un technicien qualifié.



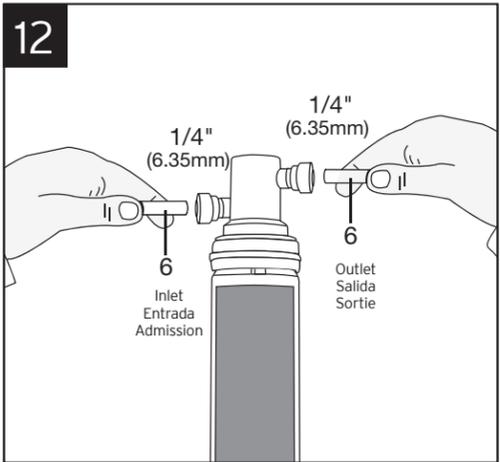
- \* **NOTICE: Property Damage.** Pinched or blocked water lines may cause damage to the water tank. Check to make sure tubes are connected correctly and are pushed down as far as possible. Hose clamps not needed.
- \* **AVISO: Daños materiales.** Des conduites d'eau coincées ou bloquées peuvent causer des dommages au réservoir d'eau. Vérifiez pour vous assurer que les tubes sont correctement reliés et poussés aussi bas que possible. No se necesitan abrazaderas de la manguera.
- \* **AVIS : dommages matériels.** Des conduites d'eau coincées ou bloquées peuvent causer des dommages au réservoir d'eau. Vérifiez pour vous assurer que les tubes sont correctement reliés et poussés aussi bas que possible. Collier de serrage non requis.

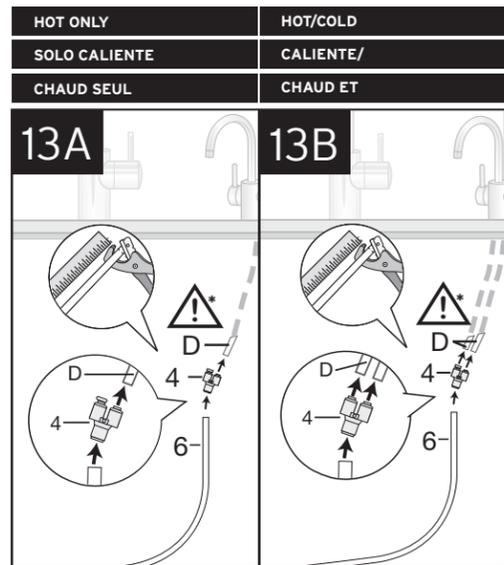


- \* **NOTICE: Property Damage.** Top surface of cartridge will be flush with bottom of filter head when fully engaged.
- \* **AVISO: Daños materiales.** La superficie superior del cartucho quedará rasante con el fondo de la cabeza del filtro cuando esté completamente encajado.
- \* **AVIS : dommages matériels.** La surface supérieure de la cartouche arrivera à égalité avec le fond de la tête du filtre lorsqu'elle est complètement enclenchée.

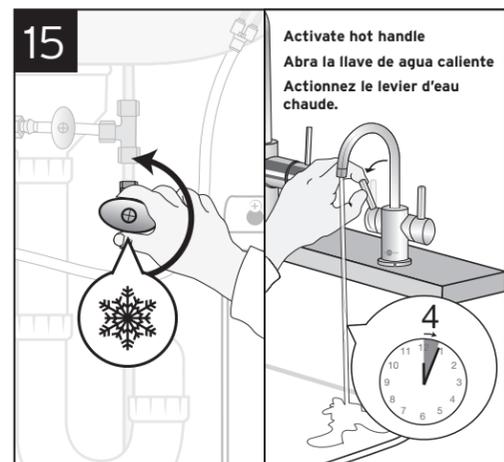


- ! **WARNING. (Personal Injury)** Do not locate filter above an outlet or other electrical device. Install head and bracket so that connections require no stretching, kinking or pinching of tubing.
- ! **ADVERTENCIA. (Lesiones personales)** No coloque el filtro encima de un tomacorriente u otro dispositivo eléctrico. Instale la cabeza y el soporte de manera que no se necesite estirar, enroscar ni apretar la tubería para las conexiones.
- ! **AVERTISSEMENT (Blessure)** Ne placez pas le filtre au-dessus d'une prise de courant ou d'un autre dispositif électrique. Installez la tête et le support de manière à ce que les connexions ne nécessitent pas être l'étirement, le tordage ou le coincement du tube.

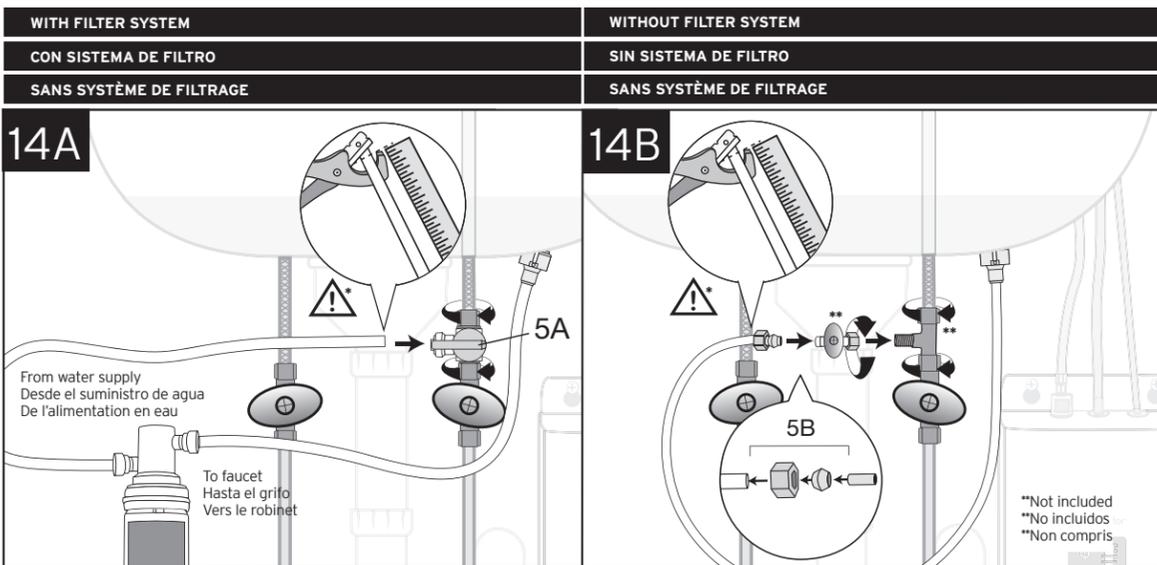




- \* **NOTICE: Property Damage.** Do not extend the lines farther than the 16" (400 mm) provided. Ensure tube(s) and "Y" connector fit securely.
- \* **AVISO: Daños materiales.** No extiéndase las líneas más allá de los 400 mm (16") establecidos. Cerciórese de que los tubos y el conector en "Y" estén bien ajustados.
- \* **AVIS : dommages matériels.** Ne prolongez pas les conduites au-delà des 16 po (400 mm) fournis. Assurez-vous que le(s) tube(s) et le connecteur Y soient bien assemblés.

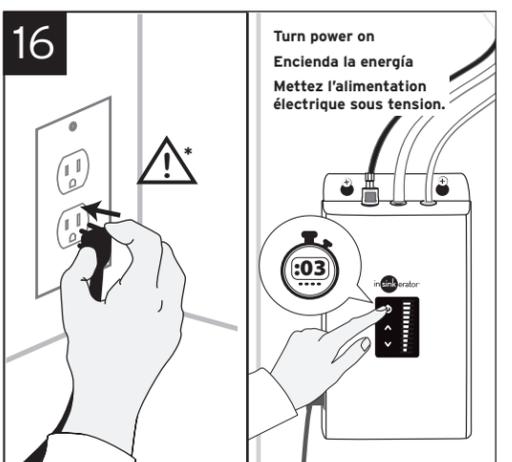


- Note:** Check all connections to ensure they are tight and that there are no leaks. Allow water to run for 4 minutes to flush lines and fill tank.
- Nota:** Verifique que todas las conexiones estén ajustadas y que no haya fugas. Deje correr el agua durante 4 minutos para limpiar las líneas y llenar el depósito.
- Remarque :** vérifiez toutes les connexions pour vous assurer qu'elles sont bien serrées et qu'il n'y a pas de fuite. Laissez l'eau couler pendant quatre minutes pour rincer les conduites et remplir le réservoir.

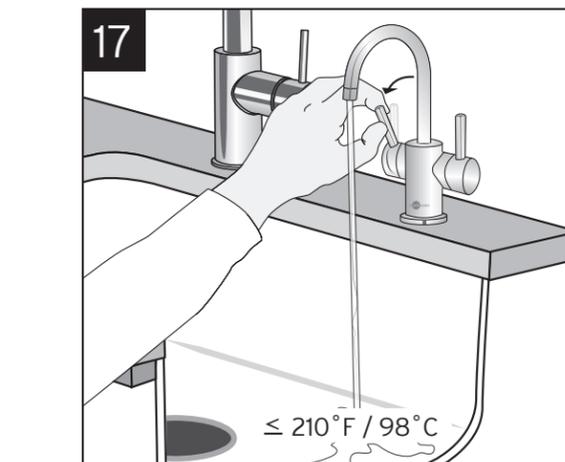


- \* **NOTICE: Property Damage.** Tube runs need to form to the cabinet's contours to allow storage space with no sharp bends. Tubes need clean, perpendicular, burr-free cuts to ensure a true fit.
- \* **AVISO: Daños materiales.** Los tramos de tubo deben formar el contorno del gabinete para dejar espacio de almacenaje sin curvas agudas. Los tubos necesitan cortes limpios, perpendiculares y sin rebabas, para asegurar un ajuste adecuado.
- \* **AVIS : dommages matériels.** La course des tubes doit épouser les contours de l'armoire pour laisser de l'espace de rangement sans coude en équerre. Les tubes doivent avoir des coupes propres, perpendiculaires, sans barbuure pour obtenir un ajustement parfait.

- Note:** If needed, extra tubing and Y Connect provided with tank.
- Nota:** En caso de ser necesario, se incluye con el tanque una tubería y un conector en Y adicionales.
- Remarque :** Si nécessaire, un tube supplémentaire et un connecteur en Y sont fournis avec le réservoir.



- \* **NOTICE: Property Damage.** Do not use an extension lead with the instant hot water dispenser. (A standard earthed outlet within 30" (760 mm) of the instant hot water dispenser is required under the sink.)
- \* **AVISO: Daños materiales.** No utilice un prolongador con el dispensador de agua caliente instantáneo. (Es necesario que haya un tomacorriente estándar con conexión a tierra dentro de los 760 mm (30") del dispensador de agua caliente instantáneo debajo del fregadero.)
- \* **AVIS : dommages matériels.** N'utilisez pas une rallonge avec le distributeur d'eau chaude instantanée. (Une prise standard mise à la terre se trouvant à une distance de 30 po (760 mm) du distributeur d'eau chaude instantanée est requise sous l'évier.)



- Allow 12-15 minutes for water to reach target temperature. Gurgling or hissing is normal during the initial heating cycle.
- CAUTION: Scalding Hazard.** The instant hot water dispenser delivers near-boiling (up to 210°F/98°C) water which can instantly cause scalds or burns. Use care when operating this appliance.
- Deje transcurrir 12 a 15 minutos para que el agua alcance la temperatura deseada. Es normal que se oigan ruidos sibilantes o de borboteo durante el ciclo de calentamiento inicial.
- PRECAUCIÓN: Riesgo de escaldaduras (quemaduras).** El dispensador de agua caliente instantáneo ofrece agua casi hirviendo (de hasta 210 °F/98 °C) que puede causar instantáneamente escaldaduras o quemaduras. Tenga especial cuidado cuando use esta operación.
- Attendez de 12 à 15 minutes pour que l'eau atteigne la température désirée, les gargouillements ou les sifflements sont normaux durant le cycle de chauffage initial.
- MISE EN GARDE : danger de brûlure.** Le distributeur d'eau chaude instantanée fournit de l'eau presque bouillante (jusqu'à 210 °F/98 °C) qui peut causer des échouages ou des brûlures. Faites attention lorsque vous utilisez cet appareil.

## ENGLISH

### 5-YEAR IN-HOME FULL SERVICE LIMITED WARRANTY

This limited warranty is provided by InSinkErator, a business unit of Emerson Electric Co., ("InSinkErator" or "Manufacturer" or "we" or "our" or "us") to the original consumer owner of the InSinkErator product with which this limited warranty is provided (the "InSinkErator Product"), and any subsequent owner of the residence in which the InSinkErator Product was originally installed ("Customer" or "you" or "your").

InSinkErator warrants to Customer that your InSinkErator Product will be free from defects in materials and workmanship, subject to the exclusions described below, for the "Warranty Period", commencing on the later of: (a) the date your InSinkErator Product is originally installed, (b) the date of purchase, or (c) the date of manufacture as identified by your InSinkErator Product serial number. You will be required to show written documentation supporting (a) or (b). If you are unable to provide documentation supporting either (a) or (b), the Warranty Period commencement date will be determined by Manufacturer, in its sole and absolute discretion, based upon your InSinkErator Product serial number.

**Permitted Uses**  
You may use your InSinkErator Product hot/cold water tank and filter system in combination with any genuine InSinkErator Product instant hot water dispensers and component parts and/or Authorized OEM Products. "Authorized OEM Products" mean those hot, cold or hot/cold water dispensers and component parts that have been manufactured by an authorized InSinkErator original equipment manufacturer ("Authorized OEM") and which have documentation expressly stating that such Authorized OEM Products are compatible with the InSinkErator Product(s). Authorized OEMs may change from time to time. A list of Authorized OEMs is available to you upon request or at: [www.insinkerator.com/oem](http://www.insinkerator.com/oem). Use of your InSinkErator Product in combination with any products other than Authorized OEM Products will void this warranty.

**What is Covered**  
This limited warranty covers defects in materials or workmanship, subject to the exclusions below, in InSinkErator Products used by a consumer for residential use only, and includes all replacement parts and labor costs. **YOUR SOLE AND EXCLUSIVE REMEDY UNDER THIS LIMITED WARRANTY SHALL BE LIMITED TO REPAIR OR REPLACEMENT OF THE INSINKERATOR PRODUCT, PROVIDED THAT IF WE DETERMINE IN OUR SOLE DISCRETION THAT NEITHER REMEDY IS PRACTICABLE, WE MAY PROVIDE YOU A REFUND OF YOUR PURCHASE PRICE OR A CREDIT TOWARDS ANOTHER INSINKERATOR PRODUCT.**

**What is not Covered**  
This limited warranty does not extend to and expressly excludes:  

- Losses or damages or the inability to operate your InSinkErator Product resulting from conditions beyond the Manufacturer's control including, without limitation, accident, alteration, misuse, abuse, neglect, negligence (other than Manufacturer's), failure to install, maintain, assemble, or mount the InSinkErator Product in accordance with Manufacturer's instructions or local electrical and plumbing codes.
- Wear and tear expected to occur during the normal course of use, including without limitation, cosmetic rust, scratches, dents or comparable and reasonably expected losses or damages.
- Losses or damages caused by any product or component part used with the InSinkErator Products, including both Authorized OEM Products and other products and components.

In addition to the above exclusions, this warranty does not apply to InSinkErator Products installed in a commercial or industrial application.

**No Other Express Warranty Applies**  
This limited warranty is the sole and exclusive warranty provided to the Customer identified above. No other express warranty, written or verbal, applies. No employee, agent, dealer, or other person is authorized to alter this limited warranty or make any other warranty on behalf of Manufacturer. The terms of this limited warranty shall not be modified by the Manufacturer, the original owner, or their respective successors or assigns.

**What we will do to Correct Problems**  
If your InSinkErator Product does not operate in accordance with the documentation provided to you, or you have questions concerning your InSinkErator Product or how to determine when service is needed, please call the toll free InSinkErator AnswerLine® at 1-800-558-5700, or visit our website at [www.insinkerator.com](http://www.insinkerator.com). You may also notify us at: InSinkErator Service Center, 1250 International Drive, Mount Pleasant, WI 53177 USA.

The following information must be provided as part of your warranty claim: your name, address, phone number, your InSinkErator Product model and serial number, and if necessary, upon request, written confirmation of either: (a) the date shown on your installation receipt, or (b) the date shown on your purchase receipt.

Manufacturer or its authorized service representative will determine, in its sole and absolute discretion, if your InSinkErator Product is covered under this warranty. You will be given the contact information for your closest authorized InSinkErator Service Center. Please contact your InSinkErator Service Center directly to receive in home warranty repair or replacement service. Only an authorized InSinkErator service representative may provide warranty service. InSinkErator is not responsible for warranty claims arising from work performed on your InSinkErator Product by anyone other than an authorized InSinkErator service representative.

If a covered claim is made during the Warranty Period, Manufacturer will, through its authorized service representative, either repair or replace your InSinkErator Product. Cost of replacement parts or a new InSinkErator Product, and cost of labor for repair or installation of the replacement InSinkErator Product are provided at no cost to you. Repair or replacement shall be determined by Manufacturer or its authorized service representative in their sole discretion. All repair and replacement services will be provided to you at your home. If Manufacturer determines that your InSinkErator Product must be replaced rather than repaired, the warranty on the replacement InSinkErator Product will be limited to the unexpired term remaining in the original Warranty Period.

This instant hot water dispenser is covered by Manufacturer's limited warranty. This limited warranty is void if you attempt to repair the InSinkErator Product. For service information, please visit [www.insinkerator.com](http://www.insinkerator.com) or call, toll free, 1-800-558-5700.

**Limitation of Liability**  
TO THE EXTENT PERMITTED BY LAW, IN NO EVENT SHALL MANUFACTURER OR ITS AUTHORIZED SERVICE REPRESENTATIVES BE LIABLE FOR ANY INCIDENTAL, SPECIAL, INDIRECT, OR CONSEQUENTIAL DAMAGES, INCLUDING ANY ECONOMIC LOSS, WHETHER RESULTING FROM NONPERFORMANCE, USE, MISUSE OR INABILITY TO USE THE INSINKERATOR PRODUCT OR THE MANUFACTURER'S OR ITS AUTHORIZED SERVICE REPRESENTATIVE'S NEGLIGENCE. MANUFACTURER SHALL NOT BE LIABLE FOR DAMAGES CAUSED BY DELAY IN PERFORMANCE AND IN NO EVENT, REGARDLESS OF THE FORM OF THE CLAIM OR CAUSE OF ACTION (WHETHER BASED IN CONTRACT, INFRINGEMENT, NEGLIGENCE, STRICT LIABILITY, OTHER TORT OR OTHERWISE), SHALL MANUFACTURER'S LIABILITY TO YOU EXCEED THE PRICE PAID BY THE ORIGINAL OWNER FOR THE INSINKERATOR PRODUCT.

The term "consequential damages" shall include, but not be limited to, loss of anticipated profits, business interruption, loss of use or revenue, cost of capital or loss or damage to property or equipment.

Some states do not allow the exclusion or limitation of incidental or consequential damages, so the above limitation may not apply to you. This limited warranty gives you specific legal rights and you may also have other rights which vary from state to state.

## INSTANT HOT WATER DISPENSER TROUBLESHOOTING

PROBLEM	POSSIBLE CAUSE	WHAT TO DO
Water and steam spits forcefully from spout without turning on the instant hot water dispenser.	<ul style="list-style-type: none"> <li>• Unit is boiling. <i>May be normal during initial set-up.</i></li> </ul>	<ul style="list-style-type: none"> <li>• Activate instant hot water dispenser to release some water from the tank.</li> <li>• Adjust water temperature using dial on tank front.</li> <li>• Remember that at higher altitudes, water boils at lower temperatures.</li> </ul>
Water is not hot.	<ul style="list-style-type: none"> <li>• The unit is unplugged.</li> <li>• The electric outlet is inoperative.</li> </ul>	<ul style="list-style-type: none"> <li>• Make sure the unit is connected to a correctly earthed electric outlet.</li> <li>• Make sure the circuit breaker or fuses are functioning correctly.</li> <li>• Check that the outlet is not switched off.</li> </ul>
Water is too hot or not hot enough.	<ul style="list-style-type: none"> <li>• Thermostat is not adjusted to your needs.</li> </ul>	<ul style="list-style-type: none"> <li>• Adjust the thermostat slowly, then activate instant hot water dispenser for 20 seconds to bring in fresh water to be heated at the new setting. Allow 5-7 minutes for water to reach new temperature.</li> </ul>
Water comes out of the vent instead of spout.	<ul style="list-style-type: none"> <li>• Outlet tube is blocked.</li> </ul>	<ul style="list-style-type: none"> <li>• Check that outlet tube is not kinked, twisted or pinched.</li> <li>• Unscrew spout end piece and clean out any debris. For FHCI020 and FHI020, insert end piece removal tool to unthread end piece from spout. Reference components diagram part "L."</li> </ul>
Water is dripping from the spout/vent intermittently.	<ul style="list-style-type: none"> <li>• The expansion chamber is not draining properly due to low water pressure.</li> <li>• The spout is blocked.</li> </ul>	<ul style="list-style-type: none"> <li>• Unplug the unit. If the dripping does not stop after a few minutes, check the supply valve to ensure that is fully open and there are no obstructions in the water line reducing the pressure below 30 psi.</li> <li>• Unscrew spout end piece and clean out any debris. For FHCI020 and FHI020, insert end piece removal tool to unthread end piece from spout. Reference components diagram part "L."</li> </ul>
Water is dripping from the spout/vent constantly.	<ul style="list-style-type: none"> <li>• Debris in the water line may be in the instant hot water dispenser valve seat, causing a slow water leak.</li> </ul>	<ul style="list-style-type: none"> <li>• Unscrew spout end piece and clean out any debris. For FHCI020 and FHI020, insert end piece removal tool to unthread end piece from spout. Reference components diagram part "L."</li> <li>• Activate instant hot water dispenser 7-10 times to flush dispenser and lines.</li> </ul>
Water discoloration/ rusty appearance.	<ul style="list-style-type: none"> <li>• Corrosion of unit.</li> </ul>	<ul style="list-style-type: none"> <li>• Unplug and drain unit as described in the Seasonal Storage/ Drainage Section of the Installation, Care &amp; Use manual packaged with your hot water tank. If the water discoloration remains after draining and refilling the unit, discontinue use and contact an authorized InSinkErator service agent.</li> </ul>
Divided stream.	<ul style="list-style-type: none"> <li>• Debris in the end piece.</li> <li>• Plastic piece may be installed upside down.</li> </ul>	<ul style="list-style-type: none"> <li>• Unscrew spout end piece and clean out any debris. For FHCI020 and FHI020, insert end piece removal tool to unthread end piece from spout. Reference components diagram part "L."</li> <li>• Small end of plastic piece faces down.</li> </ul>

## CARE AND USE

**CAUTION: Electric Shock Hazard.** To prevent electrical shock, disconnect power before servicing unit. Use only a properly earthed and polarized electric outlet.

### NOTICE

- Regularly inspect the unit for any signs of leakage. If there are signs of water damage, immediately remove the unit from service.
- A drainage pan, plumbed to an appropriate drain or outfitted with a leak detector, should be used in those applications where any leakage could cause property damage.

### CLEANING THE INSTANT HOT WATER DISPENSER

- Use only mild cleaners to clean the instant hot water dispenser and plastic components.
- To clean out end piece, unscrew spout end piece and clean out any debris. For FHCI020 and FHI020, insert end piece removal tool to unthread end piece from spout. Reference components diagram part "L."
- Cleaners with acids, abrasives, alkaline or organic solvents will result in deterioration of the plastic components and void the warranty.

### CAUTION: PERSONAL INJURY

- Regularly check for signs of corrosion by examining the appearance of the dispensed water.
- If the water discoloration remains after draining and refilling the unit, discontinue use and contact an authorized InSinkErator service agent.

## ESPAÑOL

### GARANTÍA TOTAL LIMITADA DE SERVICIO EN SU HOGAR POR 5 AÑOS

InSinkErator, una unidad comercial de Emerson Electric Co., (“**InSinkErator**”, “**el Fabricante**”, “**nosotros**”, “**nuestro**” o “**nos**”) otorga esta garantía limitada al consumidor propietario original del producto de InSinkErator al que se le proporciona esta garantía limitada (el “**Producto de InSinkErator**”), y a cualquier otro propietario posterior del lugar donde se instaló originalmente el Producto de InSinkErator (“**Cliente**”, “**usted**” o “**su**”).

InSinkErator le garantiza al Cliente que su Producto de InSinkErator no tendrá defectos en el material o la mano de obra, sujeto a las exclusiones descritas a continuación, durante el “**Período de garantía**”, que comienza luego de lo siguiente (lo que suceda más tarde): (a) la fecha de instalación original de su Producto de InSinkErator, (b) la fecha de compra, o (c) la fecha de fabricación, según se indica en el número de serie de su Producto de InSinkErator. Deberá presentar documentación por escrito que respalde los puntos (a) o (b). Si no presenta la documentación que respalde los puntos (a) o (b), el Fabricante determinará la fecha de inicio del período de garantía, a su exclusivo y absoluto criterio, según el número de serie del producto de InSinkErator.

#### Usos permitidos

Usted puede utilizar el sistema de filtro y tanque de agua caliente/fría de su Producto de InSinkErator en combinación con cualquier dispensador genuino instantáneo de agua caliente del Producto de InSinkErator y los componentes y/o Productos del OEM Autorizado. “Productos del OEM Autorizado” son aquellos dispensadores de agua caliente o caliente/fría y componentes que hayan sido fabricados por un fabricante autorizado de equipo original de InSinkErator (“OEM Autorizado”) y que tengan documentación donde se declare expresamente que dichos Productos del OEM Autorizado son compatibles con el (los) Producto(s) de InSinkErator. Los OEM Autorizados pueden cambiar de vez en cuando. Una lista de los OEM Autorizados está disponible para usted a petición o en: www.insinkerator.com/oem. El uso de su Producto de InSinkErator en combinación con cualquier otro producto que no sean los Productos del OEM Autorizado anulará esta garantía.

#### Cobertura

Esta garantía limitada cubre defectos en los materiales y en la mano de obra, sujeto a las excepciones detalladas a continuación, en Productos de InSinkErator utilizados por un consumidor solo para uso doméstico, e incluye el costo de todos los repuestos y servicios de mano de obra. **SU ÚNICO Y EXCLUSIVO RECURSO SEGÚN LOS TÉRMINOS DE ESTA GARANTÍA LIMITADA SERÁ LA REPARACIÓN O EL REEMPLAZO DEL PRODUCTO DE INSINKERATOR, SIN EMBARGO, SI DETERMINAMOS BAJO NUESTRO EXCLUSIVO CRITERIO QUE NINGUNO DE ESTOS DOS RECURSOS ES VIABLE, PODREMOS REEMBOLSARLE EL PRECIO DE SU COMPRA O PROPORCIONARLE UN CRÉDITO PARA OTRO PRODUCTO DE INSINKERATOR.**

#### Qué no cubre la cobertura

Esta garantía limitada no cubre y excluye de manera expresa lo siguiente:

- Pérdidas o daños, o la imposibilidad de operar su Producto de InSinkErator debido a condiciones que escapan al control del Fabricante, las que incluyen, sin limitaciones, accidentes, modificaciones, uso incorrecto, abuso, descuido, negligencia (que no sea responsabilidad del Fabricante), fallas en la instalación, mantenimiento, armado o montaje del Producto de InSinkErator, según lo indican las instrucciones del Fabricante o los códigos locales eléctricos y de plomería.
- Desgaste como resultado del uso normal del producto, lo que incluye sin limitaciones, oxidación de la superficie, rayones, abolladuras o pérdidas o daños similares y razonables.
- Las pérdidas o los daños causados por cualquier producto o componente utilizado con los Productos de InSinkErator, incluidos tanto los Productos del OEM Autorizado como otros productos y componentes.

Además de las exclusiones antes descritas, esta garantía no se aplica en caso de que los Productos InSinkErator se instalen para fines industriales o comerciales.

#### No se aplica ninguna otra garantía expresa

Esta es la única y exclusiva garantía limitada que se le brinda al Cliente descrito anteriormente. No se aplica ninguna otra garantía expresa, oral o escrita. No se autoriza a ningún empleado, agente, distribuidor o tercero a modificar esta garantía limitada o a elaborar alguna otra garantía en nombre del Fabricante. El Fabricante, el propietario original o sus respectivos sucesores o cesionarios no deberán modificar las condiciones de esta garantía limitada.

#### Qué haremos para solucionar los problemas

Si su Producto de InSinkErator no funciona según la documentación que se le entregó, o si tiene preguntas sobre su Producto de InSinkErator o desea saber si necesita servicio, llame a la línea de ayuda gratuita AnswerLine® de InSinkErator al 1 (800) 558-5700, o visite nuestro sitio web www.insinkerator.com.. También puede comunicarse con nosotros en: InSinkErator Service Center, 1250 International Drive, Mount Pleasant, WI 53177 USA.

Debe presentar la siguiente información en su reclamo de garantía: su nombre, dirección, número telefónico, modelo y número de serie de su Producto de InSinkErator y, si es necesario y se solicita, una confirmación escrita de: (a) la fecha que figura en su recibo de instalación, o (b) la fecha que figura en su recibo de compra.

El fabricante o el representante de servicio autorizado determinarán, bajo su criterio exclusivo y absoluto, si esta garantía cubre su Producto de InSinkErator. Se le proporcionará la información de contacto del centro de servicio autorizado de InSinkErator más cercano. Comuníquese directamente con el centro de servicio de InSinkErator para recibir en su hogar el servicio de garantía de reparación o reemplazo. Solo un representante de servicio autorizado de InSinkErator puede ofrecer el servicio de garantía. InSinkErator no se hace responsable de los reclamos de garantía que surjan del trabajo realizado en su Producto de InSinkErator por otra persona que no sea un representante de servicio autorizado de InSinkErator.

Si se realiza un reclamo cubierto por la garantía durante el Período de garantía, el Fabricante reparará o reemplazará su Producto de InSinkErator a través de un representante de servicio autorizado. No se le cobrará el costo de los repuestos o del nuevo Producto de InSinkErator, ni el costo de la mano de obra para la reparación o instalación del Producto de InSinkErator de reemplazo. El Fabricante o su representante de servicio autorizado determinarán, a su exclusivo criterio, la reparación o el reemplazo. Todos los servicios de reparación y reemplazo se realizarán en su hogar. Si el fabricante determina que se debe reemplazar su Producto de InSinkErator en vez de repararlo, la garantía limitada de reemplazo del Producto de InSinkErator se limitará al plazo restante vigente de la garantía original.

Este dispensador instantáneo de agua caliente está cubierto por la garantía limitada del Fabricante. Esta garantía limitada es nula si usted intenta reparar el Producto de InSinkErator. Para obtener información sobre el servicio, visite www.insinkerator.com o llame a la línea gratuita 1-800-558-5700.

#### Limitación de responsabilidad

EN LA MEDIDA EN QUE LA LEY LO PERMITA, EN NINGÚN CASO EL FABRICANTE NI SUS REPRESENTANTES DE SERVICIO AUTORIZADO SE RESPONSABILIZARÁN DE CUALQUIER DAÑO INCIDENTAL, ESPECIAL, DIRECTO O CONSECUENTE, INCLUIDA CUALQUIER PÉRDIDA ECONÓMICA, YA SEA RESULTADO DEL INCUMPLIMIENTO, EL USO, EL USO INCORRECTO O LA IMPOSIBILIDAD DE USAR EL PRODUCTO DE INSINKERATOR O LA NEGLIGENCIA POR PARTE DEL FABRICANTE O SUS REPRESENTANTES DE SERVICIO AUTORIZADO. EL FABRICANTE NO SE RESPONSABILIZARÁ DE LOS DAÑOS CAUSADOS POR DEMORAS EN EL CUMPLIMIENTO Y, EN NINGÚN CASO, INDEPENDIENTEMENTE DEL TIPO DE RECLAMO O CAUSA DE ACCIÓN (YA SEA QUE SE BASE EN EL CONTRATO, INCUMPLIMIENTO, NEGLIGENCIA, RESPONSABILIDAD OBJETIVA U OTRA RESPONSABILIDAD EXTRACONTRACTUAL, ENTRE OTROS), LA RESPONSABILIDAD DEL FABRICANTE SUPERARÁ EL PRECIO ABONADO POR EL PROPIETARIO ORIGINAL DEL PRODUCTO DE INSINKERATOR.

El término “daños consecuentes” incluye, entre otros, pérdida de ganancias anticipadas, interrupción de actividades comerciales, uso o lucro cesante, costo de capital o pérdidas, o daños de propiedades o equipos.

Algunos estados no permiten la exclusión o limitación de responsabilidades por daños incidentales o consecuentes; por lo tanto, es posible que estas limitaciones no se apliquen a usted. Esta garantía limitada le otorga derechos legales específicos y también puede tener otros derechos que varían según el estado.

PROBLEMA	POSIBLE CAUSA	SOLUCIÓN
El surtidor escupe agua y vapor con fuerza sin conectar el dispensador de agua caliente instantáneo.	<ul style="list-style-type: none"><li>La unidad está en <b><i>Puede ser normal durante la configuración inicial.</i></b></li></ul>	<ul style="list-style-type: none"><li>Active el dispensador de agua caliente instantáneo para liberar algo de agua del depósito.</li> <li>Ajuste la temperatura del agua usando el dial en el frente del tanque.</li> <li>Recuerde que en altitudes elevadas, el agua hierve a bajas temperaturas.</li></ul>
El agua no está caliente.	<ul style="list-style-type: none"><li>La unidad está desconectada.</li> <li>El tomacorriente no funciona.</li></ul>	<ul style="list-style-type: none"><li>Cerciórese que la unidad está conectada adecuadamente a un tomacorriente con tierra (puesta a tierra).</li> <li>Cerciórese de que el disyuntor o los fusibles estén funcionando correctamente.</li> <li>Verifique que el tomacorriente no está desconectado.</li></ul>
El agua está muy caliente o no calienta lo suficiente.	<ul style="list-style-type: none"><li>El termostato no está ajustado a sus necesidades.</li></ul>	<ul style="list-style-type: none"><li>Ajuste el termostato lentamente, luego active el dispensador de agua caliente instantáneo durante 20 segundos para calentar agua fresca con la nueva configuración. Deje de 5 a 7 minutos para que el agua alcance la nueva temperatura.</li></ul>
El agua sale del respiradero en vez del surtidor.	<ul style="list-style-type: none"><li>El tubo de salida está bloqueado.</li></ul>	<ul style="list-style-type: none"><li>Verifique que el tubo de salida no está doblado, torcido o comprimido.</li> <li>Destornille el extremo del chorro y limpie cualquier desecho. Para FHC1O2O y FHI02O, inserte la herramienta de extracción del extremo para retirar el extremo del surtidor. Parte «L» del diagrama de los componentes de referencia.</li></ul>
El agua está goteando del surtidor/respiradero intermitentemente.	<ul style="list-style-type: none"><li>La cámara de expansión no está drenando correctamente debido a la baja presión de agua.</li> <li>El surtidor está bloqueado.</li></ul>	<ul style="list-style-type: none"><li>Desconecte la unidad. Si el goteo no se detiene después de algunos minutos, revise que la válvula de suministro esté totalmente abierta y que no haya obstrucciones en la línea de agua que reduzcan la presión debajo de 30 psi.</li> <li>Destornille el extremo del chorro y limpie cualquier desecho. Para FHC1O2O y FHI02O, inserte la herramienta de extracción del extremo para retirar el extremo del surtidor. Parte «L» del diagrama de los componentes de referencia.</li></ul>
El agua está goteando del surtidor/respiradero constantemente.	<ul style="list-style-type: none"><li>Los desechos en la línea de agua pueden estar asentados en la válvula del dispensador de agua caliente instantáneo y provocar así una fuga lenta de agua.</li></ul>	<ul style="list-style-type: none"><li>Destornille el extremo del chorro y limpie cualquier desecho. Para FHC1O2O y FHI02O, inserte la herramienta de extracción del extremo para retirar el extremo del surtidor. Parte «L» del diagrama de los componentes de referencia.</li> <li>Active el dispensador de agua caliente instantáneo entre siete y diez veces para limpiar el dispensador y las líneas.</li></ul>
Decoloración del agua/apariencia de oxidado.	<ul style="list-style-type: none"><li>Corrosión de la unidad.</li></ul>	<ul style="list-style-type: none"><li>Desenchufe y drene la unidad tal como se describe en la sección Almacenamiento/Drenado de Temporada del manual de Instalación, mantenimiento y uso que viene con el depósito de agua caliente.</li> <li>Si persiste la coloración del agua luego del drenaje y el llenado de la unidad, discontinúe el uso y comuníquese con un agente de servicio autorizado de InSinkErator.</li></ul>
El chorro de agua no es uniforme.	<ul style="list-style-type: none"><li>Desechos al extremo de la pieza.</li> <li>La pieza de plástico puede instalarse hacia abajo.</li></ul>	<ul style="list-style-type: none"><li>Destornille el extremo del chorro y limpie cualquier desecho. Para FHC1O2O y FHI02O, inserte la herramienta de extracción del extremo para retirar el extremo del surtidor. Parte «L» del diagrama de los componentes de referencia.</li> <li>El extremo pequeño de la pieza de plástico debe ir boca abajo.</li></ul>

### CUIDADO Y USO

**⚠ PRECAUCIÓN: Riesgo de descarga eléctrica.** Para prevenir descargas eléctricas, desconecte la corriente eléctrica antes de reparar la unidad. Utilice solamente un tomacorriente eléctrico debidamente polarizado y con conexión a tierra.

<b>AVISO</b>
<ul style="list-style-type: none"><li>Examine regularmente la unidad en busca de cualquier señal de fuga. Si hay señales de daño causado por el agua, retire inmediatamente la unidad de servicio.</li> <li>Se recomienda instalar un depósito de desagüe conectado a un desagüe adecuado o equipado con un detector de fugas en aquellos usos en los que las fugas puedan causar daños materiales.</li></ul>

### LIMPIEZA DEL DISPENSADOR DE AGUA CALIENTE INSTANTÁNEO

- Solo debe utilizar limpiadores suaves para limpiar el dispensador de agua caliente instantáneo y los componentes de plástico.
- Para limpiar la pieza final, desenosrosque la pieza final del caño y limpie. Para FHC1O2O y FHI02O, inserte la herramienta de extracción del extremo para retirar el extremo del surtidor. Parte «L» del diagrama de los componentes de referencia.
- Los limpiadores con ácidos, abrasivos, solventes alcalinos y orgánicos dañan los componentes plásticos y anulan la garantía.

### ⚠ PRECAUCIÓN: LESIONES PERSONALES

- Verifique con regularidad que no haya señales de corrosión en el aspecto del agua que sale del dispensador.
- Si persiste la coloración del agua luego del drenaje y el llenado de la unidad, discontinúe el uso y comuníquese con un agente de servicio autorizado de InSinkErator.

## FRANÇAIS

### GARANTIE LIMITÉE DE SERVICE COMPLET À DOMICILE DE CINQ ANS

Cette garantie limitée est fournie par InSinkErator, une unité commerciale d'Emerson Electric Co., « **InSinkErator** » ou « **Fabricant** » ou « **nous** » ou « **notre** » à un consommateur original propriétaire du Produit InSinkErator avec lequel cette garantie limitée est fournie (le « **Produit InSinkErator** »), et tout propriétaire subséquent de la résidence dans laquelle le Produit InSinkErator a été originalement installé (« **Client** » ou « **vous** » ou « **votre** »).

InSinkErator garantit au Client que votre Produit InSinkErator sera libre de défauts de matériaux et de main d'œuvre, sous réserve des exclusions décrites ci-dessous pendant la «**Période de garantie** », à compter de la date la plus récente entre : (a) la date d'installation originale de votre Produit InSinkErator, (b) la date d'achat ou (c) la date de fabrication identifiée par le numéro de série de votre Produit InSinkErator. Vous devrez présenter une documentation écrite prouvant (a) ou (b). Si vous êtes incapable de fournir un document prouvant (a) ou (b), la date de début de la Période de garantie sera déterminée par le Fabricant, à son entière discrétion, selon le numéro de série du Produit InSinkErator.

#### Usages permis

Vous pouvez utiliser votre Produit InSinkErator, réservoir d'eau chaude/froide et système de filtration, en combinaison avec tout distributeur d'eau chaude instantané et composant InSinkErator et/ou des produits ou des composants d'un fabricant autorisé. « Produits d'un fabricant autorisé » signifie ces distributeurs d'eau chaude ou d'eau chaude/froide et composants qui ont été fabriqués par un fabricant d'équipement original autorisé par InSinkErator (« Fabricant autorisé ») et qui possède des documents indiquant expressément que ces produits du Fabricant autorisé sont compatibles au(x) Produit(s) InSinkErator. Les Fabricants autorisés peuvent varier de temps à autre. Une liste des Fabricants autorisés est offerte sur demande ou allez à www.insinkerator.com/oem. L'utilisation de votre Produit InSinkErator en combinaison avec tout produit autre que ceux provenant d'un Fabricant autorisé annulera cette garantie.

#### Ce qui est couvert

Cette garantie limitée couvre les défauts de matériaux et de fabrication, sous réserve des exclusions ci-dessous, des Produits InSinkErator utilisés par un consommateur en vertu d'un usage résidentiel seulement et comprend toutes les pièces de rechange et les frais de main-d'œuvre. **VOTRE SEUL ET EXCLUSIF REMÈDE EN VERTU DE CETTE GARANTIE LIMITÉE SE LIMITE À LA RÉPARATION OU AU REMPLACEMENT DU PRODUIT INSINKERATOR, ENTENDU QUE, SI NOUS DÉTERMINONS À NOTRE ENTÈRE DISCRÉTION, QU'AUCUN REMÈDE N'EST POSSIBLE, NOUS POUVONS VOUS PROPOSER LE REMBOURSEMENT DE VOTRE PRIX D'ACHAT OU UN CRÉDIT POUR L'ACHAT D'UN AUTRE PRODUIT INSINKERATOR.**

#### Ce qui n'est pas couvert

Cette garantie limitée ne couvre pas et exclut expressément :

- Les pertes ou les dommages ou l'incapacité à utiliser votre Produit InSinkErator en raison de conditions indépendantes de la volonté du Fabricant, y compris sans en exclure d'autres, les accidents, les altérations, les mauvaises utilisations, les abus, la négligence (autre que celle du Fabricant), le défaut d'installer, de maintenir, d'assembler ou de monter le Produit InSinkErator conformément aux directives du Fabricant ou aux codes locaux de plomberie ou d'électricité.
- L'usure devant se produire durant le cours normal de l'utilisation, y compris sans en exclure d'autres, la rouille cosmétique, les égratignures, les bosselures ou les pertes ou dommages similaires et raisonnablement prévus.
- Les pertes ou les dommages causés par des produits ou des composants utilisés avec les Produits InSinkErator, y compris les produits des Fabricants autorisés et tous les autres produits et composants.

En plus des exclusions ci-dessus, cette garantie ne s'applique pas aux Produits InSinkErator installés dans une application commerciale ou industrielle.

#### Aucune autre garantie expresse ne s'applique

Cette garantie limitée est la seule et unique garantie fournie au Client identifié ci-dessus. Aucune autre garantie expresse, écrite ou verbale ne s'applique. Aucun employé, agent, dépositaire ou autre personne n'est autorisé à modifier cette garantie limitée ou à effectuer toute autre garantie au nom du Fabricant. Les conditions de cette garantie limitée ne doivent pas modifiées par le Fabricant, le propriétaire original ou leurs successeurs ou ayant droit respectifs.

#### Ce que nous ferons pour corriger les problèmes

Si votre Produit InSinkErator ne fonctionne pas conformément à la documentation qui vous est fournie ou si vous avez des questions concernant votre Produit InSinkErator ou comment déterminer s'il doit être réparé, veuillez appeler sans frais la ligne d'assistance AnswerLine® d'InSinkErator au 1 (800) 558-5700 ou visitez notre site Web à www.insinkerator.com. Vous pouvez aussi nous écrire : Centre de service InSinkErator, 1250 International Drive, Mount Pleasant, WI 53177 É.-U.

Les renseignements suivants doivent être fournis lors de votre réclamation au titre de la garantie : votre nom, adresse, numéro de téléphone, le numéro de série et modèle de votre Produit InSinkErator et si nécessaire, sur demande, une confirmation écrite de : (a) la date indiquée sur votre reçu d'installation ou (b) la date indiquée sur votre reçu d'achat.

Le Fabricant ou son représentant de service autorisé détermineront, à leur entière discrétion, si votre Produit InSinkErator est couvert en vertu de cette garantie. On vous remettra les renseignements de contact de votre centre de service InSinkErator autorisé le plus proche. Veuillez communiquer avec votre centre de service InSinkErator directement pour obtenir une réparation de garantie à domicile ou un service de remplacement. Seul un représentant de service InSinkErator autorisé peut fournir le service de garantie. InSinkErator n'est pas responsable des réclamations de garantie découlant du travail effectué sur votre Produit InSinkErator par toute personne autre qu'un représentant de service InSinkErator autorisé.

Si une réclamation couverte est effectuée pendant la Période de garantie, le Fabricant, par l'entremise de son représentant de service autorisé, réparera ou remplacera votre Produit InSinkErator. Le coût des pièces de rechange ou d'un nouveau Produit InSinkErator et les frais de main d'œuvre pour la réparation ou l'installation du Produit InSinkErator de rechange sont offerts gratuitement. La réparation ou le remplacement seront déterminés par le Fabricant ou son représentant de service autorisé à leur entière discrétion. Tous les services de réparation et de remplacement seront effectués à votre domicile. Si le Fabricant détermine que votre Produit InSinkErator doit être remplacé au lieu d'être réparé, la garantie sur le Produit InSinkErator de rechange se limitera à la durée restante de la Période de garantie originale.

Ce distributeur d'eau chaude instantanée est couvert par la garantie limitée du Fabricant. Cette garantie limitée est nulle si vous tentez de réparer le Produit InSinkErator. Pour obtenir des renseignements sur le service, veuillez visiter www.insinkerator.com ou composez, sans frais, le 1-800-558-5700.

#### Limite de responsabilité

DANS LA MESURE PERMISE PAR LA LOI, LE FABRICANT OU SES REPRÉSENTANTS DE SERVICE AUTORISÉS NE SERONT DANS AUCUN CAS RESPONSABLES DES DOMMAGES CONSECUTIFS, SPÉCIAUX, INDIRECTS OU CORRÉLATIFS, Y COMPRIS LES PERTES ÉCONOMIQUES DÉCOULANT DE LA NON PERFORMANCE, DE L'UTILISATION, DE LA MAUVAISE UTILISATION OU DE L'INCAPACITÉ À UTILISER LE PRODUIT INSINKERATOR OU DE LA NEGLIGENCE DU FABRICANT OU DU REPRÉSENTANT DE SERVICE AUTORISÉ. LE FABRICANT NE SERA PAS RESPONSABLE DES DOMMAGES CAUSÉS PAR UN DÉLAI DE PERFORMANCE ET LA RESPONSABILITÉ DU FABRICANT NE DÉPASSERA DANS AUCUN CAS, QUELLE QUE SOIT LA FORME DE LA RÉCLAMATION OU LA RAISON DE L'ACTION (FONDÉE SUR UN CONTRAT, UNE INFRACTION, LA NÉGLIGENCE, LA RESPONSABILITÉ STRICTE OU TOUT AUTRE TORT OU AUTREMENT), LE PRIX PAYÉ PAR LE PROPRIÉTAIRE ORIGINAL DU PRODUIT INSINKERATOR.

Le terme « dommages indirects » comprend, sans en exclure d'autres, la perte des profits anticipés, l'interruption commerciale, la perte d'utilisation ou de revenus, le coût du capital ou la perte ou les dommages aux biens ou à l'équipement.

Certaines provinces ne permettent pas l'exclusion ou la limite des dommages indirects ou corrélatifs, par conséquent, la limite ci-dessus peut ne pas s'appliquer à votre cas. Cette garantie limitée vous donne des droits légaux précis et vous pouvez aussi avoir d'autres droits qui peuvent varier d'une province à l'autre.

PROBLÈME	CAUSE POSSIBLE	SOLUTION
L'eau et la vapeur sortent vigoureusement du bec sans ouvrir le distributeur d'eau chaude instantanée.	<ul style="list-style-type: none"><li>L'unité bout. <p><i><b>Cela peut être normal lors de l'installation initiale.</b></i></p></li></ul>	<ul style="list-style-type: none"><li>Activez le distributeur d'eau chaude instantanée pour purger de l'eau du réservoir.</li> <li>Réglez la température de l'eau au moyen du cadran situé sur le devant du réservoir.</li> <li>N'oubliez pas qu'à des altitudes plus élevées, l'eau bout à des températures plus basses.</li></ul>
L'eau n'est pas chaude.	<ul style="list-style-type: none"><li>L'unité est débranchée.</li> <li>La prise électrique ne fonctionne pas.</li></ul>	<ul style="list-style-type: none"><li>Assurez-vous que l'unité est branchée sur une prise électrique correctement mise à la terre.</li> <li>Assurez-vous que le disjoncteur ou les fusibles fonctionnent correctement.</li> <li>Vérifiez que la prise ne soit pas éteinte.</li></ul>
L'eau est trop chaude ou pas assez chaude.	<ul style="list-style-type: none"><li>Le thermostat n'est pas réglé en fonction de vos besoins.</li></ul>	<ul style="list-style-type: none"><li>Réglez le thermostat lentement, puis activez le distributeur d'eau chaude instantanée pendant 20 secondes pour acheminer de l'eau fraîche à chauffer à la nouvelle température réglée. Allouez de cinq à sept minutes pour que l'eau atteigne la nouvelle température.</li></ul>
L'eau sort de l'évén au lieu du bec.	<ul style="list-style-type: none"><li>Le tuyau de sortie est bouché.</li></ul>	<ul style="list-style-type: none"><li>Vérifiez que le tube de sortie ne soit pas plié, tordu ou pincé.</li> <li>Dévissez la pièce d'extrémité du bec et retirez tous les débris. Pour les modèles FHC1O2O et FHI02O, insérez l'outil de retrait de l'aérateur afin de dévisser l'aérateur du bec. Consulter la pièce «<span> </span>L<span> </span>» sur le schéma des composants.</li></ul>
L'eau fuit goutte à goutte du bec ou de l'évén par intermittence.	<ul style="list-style-type: none"><li>La chambre d'expansion ne s'évacue pas correctement en raison d'une faible pression d'eau.</li> <li>Le bec est bouché.</li></ul>	<ul style="list-style-type: none"><li>Débranchez l'unité. Si l'égouttage ne s'arrête pas après quelques minutes, vérifiez le robinet d'alimentation en eau pour vous assurer qu'il est complètement ouvert et il n'y a pas d'obstructions dans la conduite d'eau qui réduitent la pression en dessous de 30 psi.</li> <li>Dévissez la pièce d'extrémité du bec et retirez tous les débris. Pour les modèles FHC1O2O et FHI02O, insérez l'outil de retrait de l'aérateur afin de dévisser l'aérateur du bec. Consulter la pièce «<span> </span>L<span> </span>» sur le schéma des composants.</li></ul>
L'eau fuit goutte à goutte en permanence du bec ou de l'évén.	<ul style="list-style-type: none"><li>Des débris présents dans la conduite d'eau du distributeur d'eau chaude instantanée peuvent coincer le siège du robinet et provoquer une fuite d'eau lente.</li></ul>	<ul style="list-style-type: none"><li>Dévissez la pièce d'extrémité du robinet et retirez tous les débris. Pour les modèles FHC1O2O et FHI02O, insérer l'outil de retrait de l'aérateur afin de dévisser l'aérateur du bec. Consulter la pièce «<span> </span>L<span> </span>» sur le schéma des composants.</li> <li>Activez le distributeur d'eau chaude instantanée de sept à dix fois pour rincer le distributeur et les conduites.</li></ul>
Décoloration de l'eau/apparence de rouille.	<ul style="list-style-type: none"><li>Corrosion de l'unité.</li></ul>	<ul style="list-style-type: none"><li>Débranchez et videz l'unité comme il est décrit dans la section Stockage saisonnier/vidange du manuel d'installation, d'entretien et d'utilisation compris avec votre réservoir d'eau chaude.</li> <li>Si la décoloration de l'eau demeure après la vidange et le remplissage de l'unité, cessez de l'utiliser et communiquez avec un agent de service InSinkErator autorisé.</li></ul>
Le flux d'eau est divisé.	<ul style="list-style-type: none"><li>Des débris sont présents dans le bec.</li> <li>La pièce en plastique peut être installée à l'envers.</li></ul>	<ul style="list-style-type: none"><li>Dévissez la pièce d'extrémité du bec et retirez tous les débris. Pour les modèles FHC1O2O et FHI02O, insérez l'outil de retrait de l'aérateur afin de dévisser l'aérateur du bec. Consulter la pièce «<span> </span>L<span> </span>» sur le schéma des composants.</li> <li>L'extrémité plus petite de la pièce en plastique doit être orientée vers le bas.</li></ul>

### ENTRETIEN ET UTILISATION

**⚠ MISE EN GARDE : danger de choc électrique.** Pour éviter tout choc électrique, coupez l'alimentation avant d'effectuer l'entretien de l'unité. Utilisez uniquement une prise électrique correctement mise à la terre et polarisée.

<b>AVIS</b>
<ul style="list-style-type: none"><li>Inspectez régulièrement l'unité pour vous assurer qu'elle ne fuit pas. Le cas échéant, arrêtez immédiatement d'utiliser l'appareil.</li> <li>Un bac de récupération, relié à un drain approprié ou muni d'un détecteur de fuite, doit être utilisé dans les applications où toute fuite pourrait causer des dommages matériels.</li></ul>

#### NETTOYAGE DU DISTRIBUTEUR D'EAU CHAUDE INSTANTANÉE

- Utilisez uniquement des nettoyants doux pour nettoyer le distributeur d'eau chaude instantanée et ses composants en plastique.
- Pour nettoyer la pièce d'extrémité, dévissez-la, retirez-la du robinet et retirez-en tous les débris. Pour les modèles FHC1O2O et FHI02O, insérez l'outil de retrait de l'aérateur afin de dévisser l'aérateur du bec. Consulter la pièce « L » sur le schéma des composants.
- L'utilisation de nettoyants contenant des acides, des abrasifs, des solvants alcalins ou organiques entraîne la détérioration des composants en plastique et annule la garantie.

### ⚠ MISE EN GARDE : BLESSURE

- Vérifiez régulièrement qu'il n'y ait pas de corrosion en examinant l'apparence du distributeur d'eau.
- Si la décoloration de l'eau demeure après la vidange et le remplissage de l'unité, cessez de l'utiliser et communiquez avec un agent de service InSinkErator autorisé.