

TRADITIONAL 2010

Instant Hot and Cold Water Faucet

FHC2010

FEATURES:

- Hot and cold water faucet – dispenses near-boiling water and cold drinking water
- For use with an InSinkErator instant hot water tank and filtration system (sold separately)
- For instant cold water, use with an InSinkErator water chiller (sold separately)
- Self-closing hot valve for automatic shut off
- Handles move forward to avoid hitting backsplash
- Spout swivels 360° for convenience

MATERIAL:

- Reverse osmosis certified and compatible per NSF/ANSI 58
- Solid brass construction
- Corrosion resistant ceramic disc valve

FINISHES:

Chrome • Stainless Steel • Arctic Steel • Brushed Bronze
Polished Nickel • Oil Rubbed Bronze • Classic Oil Rubbed Bronze

WARRANTY:

We Come To You® 5-Year In-Home Limited Warranty.
Covers parts and labor.

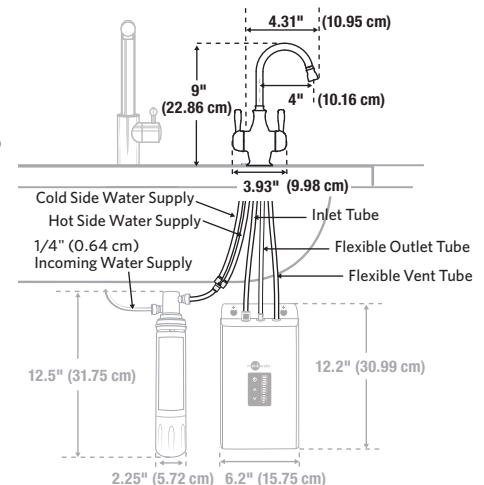
The complete InSinkErator warranty is included in the Care & Use booklet with each unit.

CERTIFICATIONS:

NSF/ANSI 372 • NSF/ANSI 58 • NSF/ANSI 42/53
NSF/ANSI 61 • ASME A112.18.1 • UPC Certified
ASSE 1023 • ADA Compliant



Supply Connection	1/4" (0.64 cm) Compression and/ or push fitting
Required Sink Hole Diameter	1-3/8" - 1-1/2" (3.49 cm - 3.81 cm) Standard Sink Hole
Required Supply Pressure	25-125 psi (172-862 kPA or 1.7-8.6 bar)
Backsplash Clearance for Installation	Minimum 2" (5.08 cm) required from sink hole center to backsplash
Counter Thickness	Maximum of 3" (7.62 cm)
Shipping Weight	4.39 lb (1.99 kg)



USA: 1.800.558.5700 www.insinkerator.com
CA: 1.800.561.1700 www.insinkerator.ca

InSinkErator may make improvements and/or changes in the specifications at any time, in its sole discretion, without notice or obligation and further reserves the right to change or discontinue models.

©2020 InSinkErator, InSinkErator® is a business unit of Emerson Electric Co. All rights reserved.