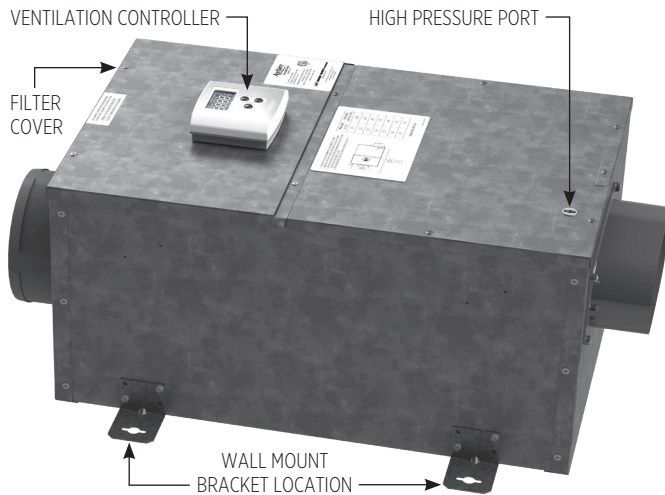


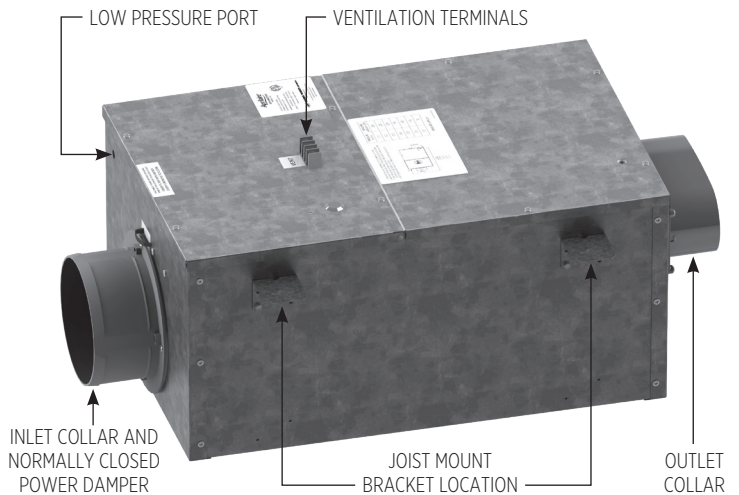
# Model 8140 and 8140NC Fresh Air Ventilator

## Installation and Operating Instructions

### MODEL 8140 FRESH AIR VENTILATOR



### MODEL 8140NC FRESH AIR VENTILATOR



## SAFETY INSTRUCTIONS

### ⚠ WARNING

1. 120 Volts may cause serious injury from electric shock. Disconnect electrical power before starting installation or servicing. Leave power disconnected until installation/service is completed.
2. Sharp edges may cause serious injury from cuts. Use care when cutting plenum openings and handling duct work.

### ⚠ CAUTION

1. Read all instructions before beginning installation.
2. Improper installation may cause property damage or injury. Installation, service, and maintenance must be performed by a qualified service technician.

## TABLE OF CONTENTS

Safety Instructions .....	1	Model 8140 – Wiring the Control to the HVAC System .....	6
Introduction and Compliance Statement .....	2	Model 8140 – Connecting the Control to the Ventilator .....	7
Specifications .....	2	Model 8140 – Operation .....	7
Install Electrical Outlet .....	2	Model 8140 – Test Mode .....	8
Ventilator Location and Orientation .....	3	Measure Delivered Airflow .....	8
Mount the Ventilator .....	3	Model 8140 – Set Up .....	9
Mount Intake Hood .....	4	Model 8140 – Rater/Inspector Verification .....	10
Install Ductwork .....	4	Model 8140 – Sequence of Operation .....	10
Model 8140NC – Wiring to Various Controls .....	5	Filter Cleaning .....	11
Model 8140NC – Test Mode .....	6	Internal Schematics .....	11
Model 8140NC – Sequence of Operation .....	6	Limited Warranty .....	12

## READ AND SAVE THESE INSTRUCTIONS

## INTRODUCTION AND COMPLIANCE STATEMENT

The Model 8140 and 8140NC Fresh Air Ventilators are designed to bring in precisely the right amount of outdoor air into today's efficiently designed homes. Duct the inlet of the ventilator to an outdoor air intake and duct the discharge to the HVAC system, then simply plug the unit in, set the amount of needed ventilation and select the desired temperature limits.

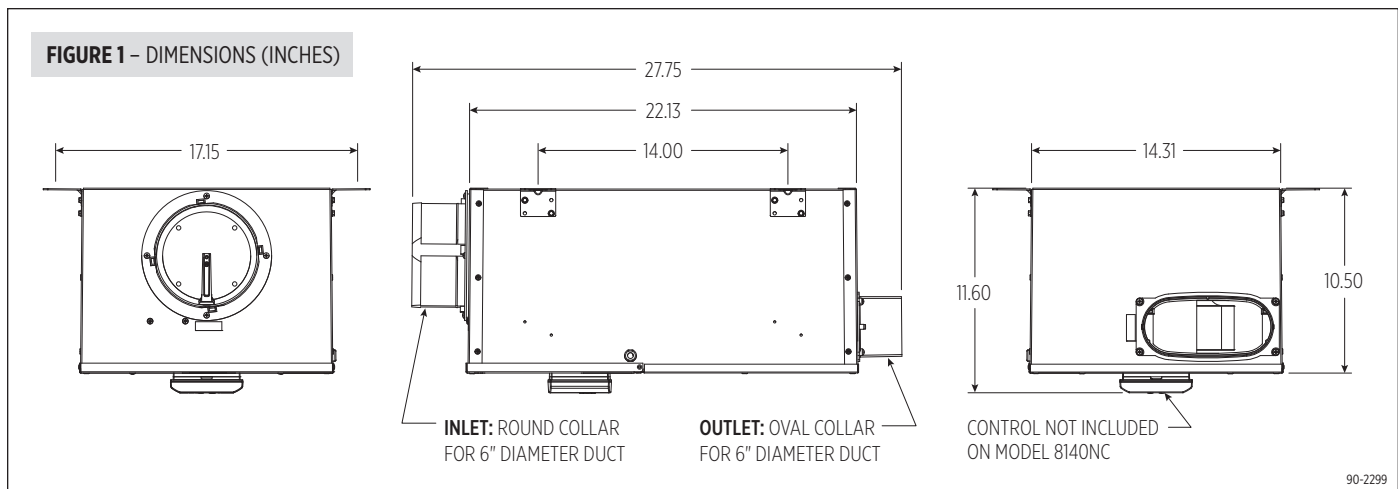
Temperature limits are set on the control to avoid bringing in outdoor air during the hottest or coldest period of the day. The built in control will automatically compensate for the ventilation time that is missed by bringing in additional outdoor air during milder periods of the day. Compliance with the requirements of ASHRAE 62.2-2010 is met as the control adds ventilation time as needed to account for the fractional on-time and effectiveness of the ventilation schedule. The control will also ensure that ventilation occurs no less than one hour of every four. When properly installed and set, the Model 8140 and 8140NC Fresh Air Ventilators will meet the mechanical ventilation requirements of:

- Energy Star Certified Homes, Version 3
- EPA Indoor airPLUS, Version 1
- 2012 & 2015 International Residential Code (IRC)
- 2012 & 2015 International Energy Conservation Code (IECC)
- California Energy Commission Title 24

## SPECIFICATIONS

**TABLE 1 – SPECIFICATIONS**

External Static Pressure ("w.c.)	Airflow (CFM)	Efficacy (CFM/watt)	Voltage
0.0	250	4.5	120 VAC 1 phase 60 Hz
0.2	205	3.8	
0.4	165	3.1	
0.6	125	2.1	



## INSTALL ELECTRICAL OUTLET

Install a standard NEMA 5-15 receptacle suitable for the location, near where the ventilator will be installed. The ventilator comes equipped with a 6-foot power cord with a standard 3-prong plug.

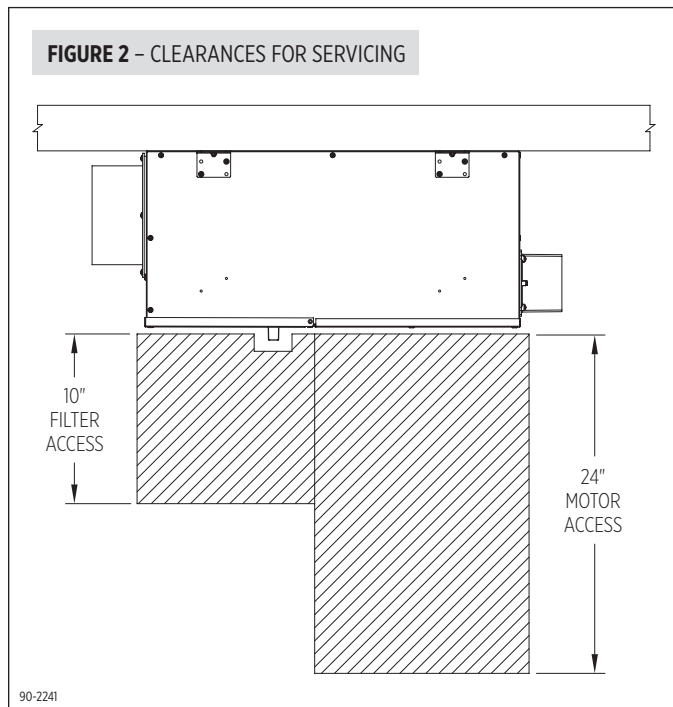
## VENTILATOR LOCATION AND ORIENTATION

### ⚠ CAUTION

1. Mount the blower with the lowest, exposed moving parts at least 8 feet (2.4 m) above floor or grade level.
2. Mount the blower at least 3.3 feet (1.0 m) from any accessible opening of the duct.

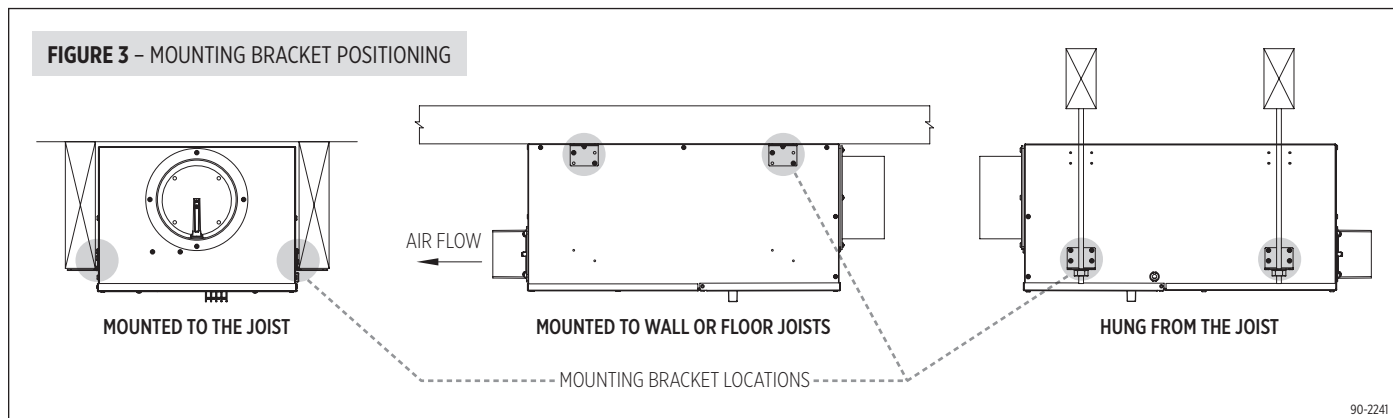
Choose a location for the ventilator that is within 6 feet of the outlet into which the ventilator will be plugged. Allow space for filter removal and service as shown in **FIGURE 2**.

The ventilator can be mounted in any orientation.



## MOUNT THE VENTILATOR

1. Install the mounting brackets, using the supplied #8 x 1/2" screws, to the side of the housing as shown in **FIGURE 3**. Use the holes nearest the covers for mounting to floor joists or hanging from rafters. Use the holes near the bottom of the unit for mounting to a flat wall or ceiling surface.
2. Secure the ventilator into joists or a strong platform and screw into place using the #10 x 3/4" screws provided. The ventilator weighs approximately 25 pounds, so do not secure it into drywall alone.



## MOUNT INTAKE HOOD

Install a weather tight hood with a bird screen.

Cut a hole in the exterior wall that is large enough to fit 6" insulated flexible duct through with minimal compression of the insulation. Pull the duct through the hole and attach the flex duct to the collar of the hood. Use metal foil tape or a plastic zip-tie to secure the duct to the collar. Pull the insulation and vapor barrier over the duct and tape it to the collar.

**IMPORTANT:** The end of the insulation must be sealed to prevent condensation from forming inside the insulation. If a plastic zip-tie is used to secure the insulation to the hood collar, also tape the end to seal it against condensation problems.

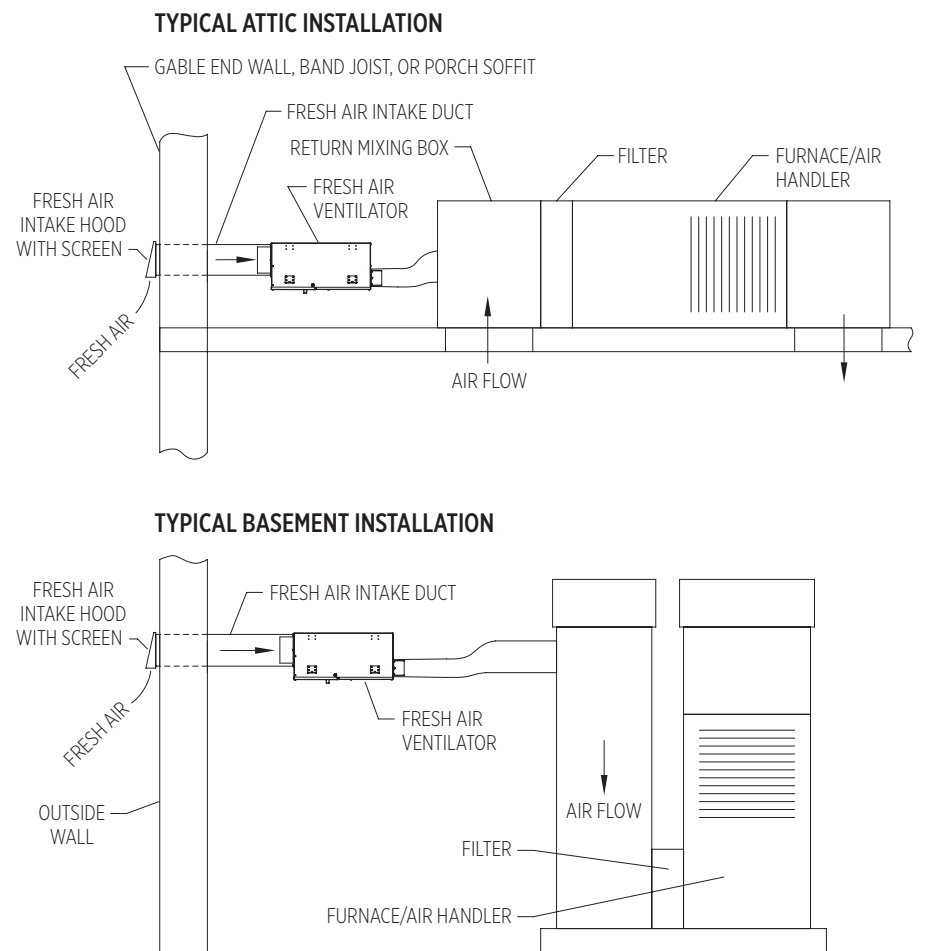
Press the hood against the outside wall and secure in place with screws; seal around the perimeter of the hood with caulk.

## INSTALL DUCTWORK

Install 6" diameter flexible, insulated duct from the round inlet collar of the unit to the intake hood and from the oval outlet collar of the unit to the HVAC system. Duct the outlet of the ventilator to the **return side** of the HVAC system (refer to **FIGURE 4**).

**IMPORTANT:** The end of the insulation must be sealed to prevent condensation from forming inside the insulation. If a plastic zip-tie is used to secure the insulation to the hood collar, also tape the end to seal it against condensation problems.

**FIGURE 4 – DUCTING IN UPFLOW AND HORIZONTAL HVAC SYSTEMS**



90-2241

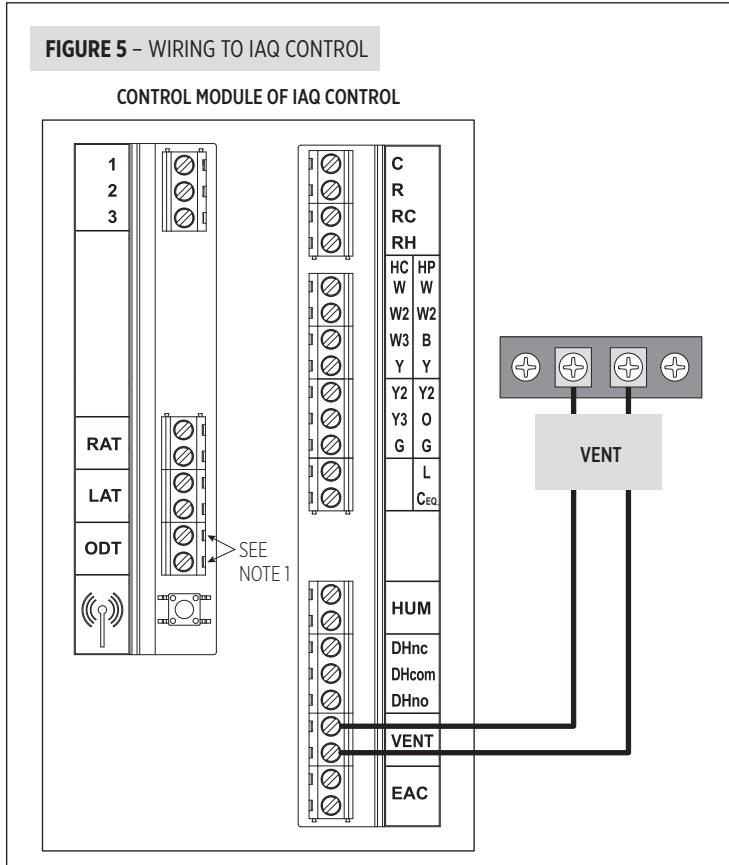
# MODEL 8140NC – WIRING TO VARIOUS CONTROLS

## Suggested Controls:

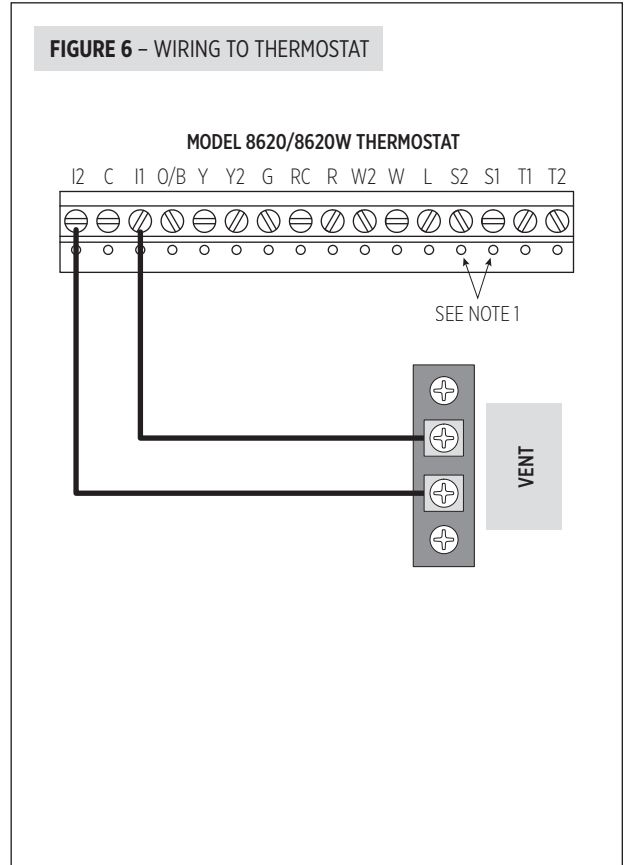
- Aprilaire IAQ Control Models 8910, 8910W or 8920W
- Aprilaire Thermostat Models 8620 or 8620W
- Model 8120A or 8120X Digital Ventilation Controller

Select the diagram that corresponds to the control to be used. Wire the controls to the HVAC equipment and any other IAQ accessory in accordance with the literature provided with the control.

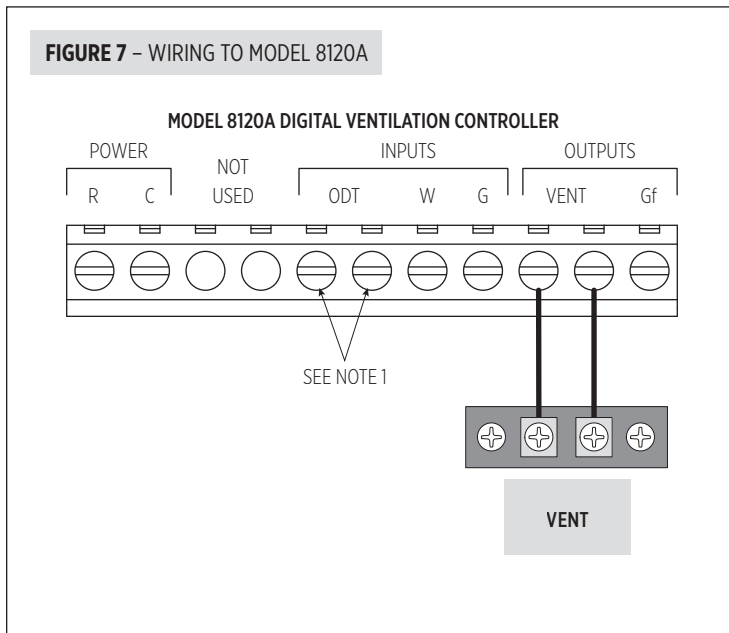
**FIGURE 5 – WIRING TO IAQ CONTROL**



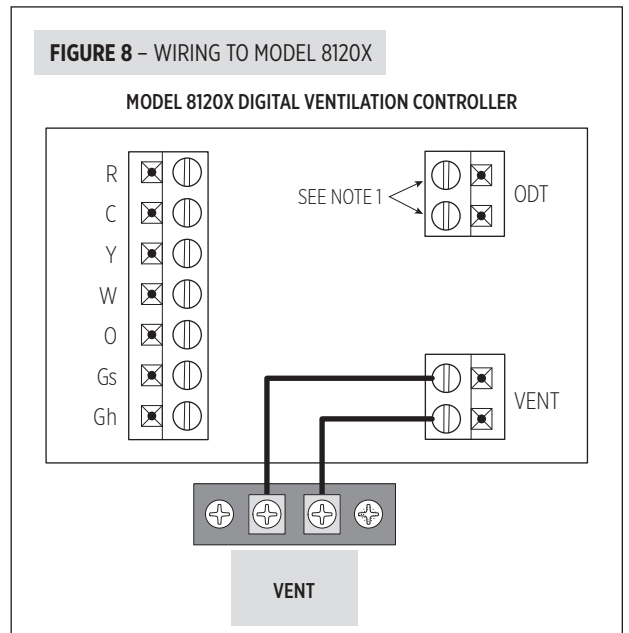
**FIGURE 6 – WIRING TO THERMOSTAT**



**FIGURE 7 – WIRING TO MODEL 8120A**



**FIGURE 8 – WIRING TO MODEL 8120X**



**NOTE 1:** An outdoor temperature sensor must be installed to use outdoor temperature limits for ventilation control.

## MODEL 8140NC – TEST MODE

After all ducting and wiring is complete, plug in the ventilator, restore power to the HVAC system and make sure the switch controlling the outlet into which the ventilator is plugged (if applicable) is turned on.

1. Use the installed control to complete a circuit between the VENT terminals on the 8140NC.
2. Verify that the ventilator blower starts and that the integral damper opens.
3. If the ventilator has been wired to turn on the HVAC blower with ventilation, verify that the blower is on.
4. Measure the airflow (CFM) that the installed ventilator is delivering. See **MEASURE DELIVERED AIRFLOW** section on page 8.
5. Using the instructions provided with the installed control, adjust the ventilation settings as required.

## MODEL 8140NC – SEQUENCE OF OPERATION

Refer to the installation manual provided with the control that is wired to the Model 8140NC.

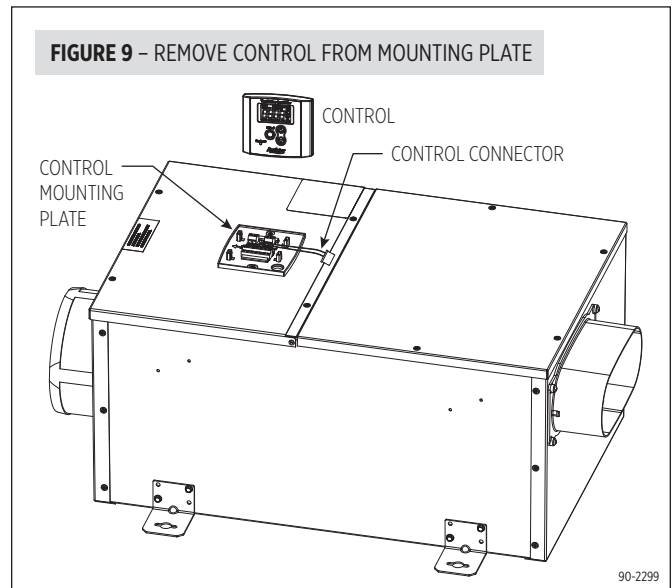
## MODEL 8140 – WIRING THE CONTROL TO THE HVAC SYSTEM

### NOTICE

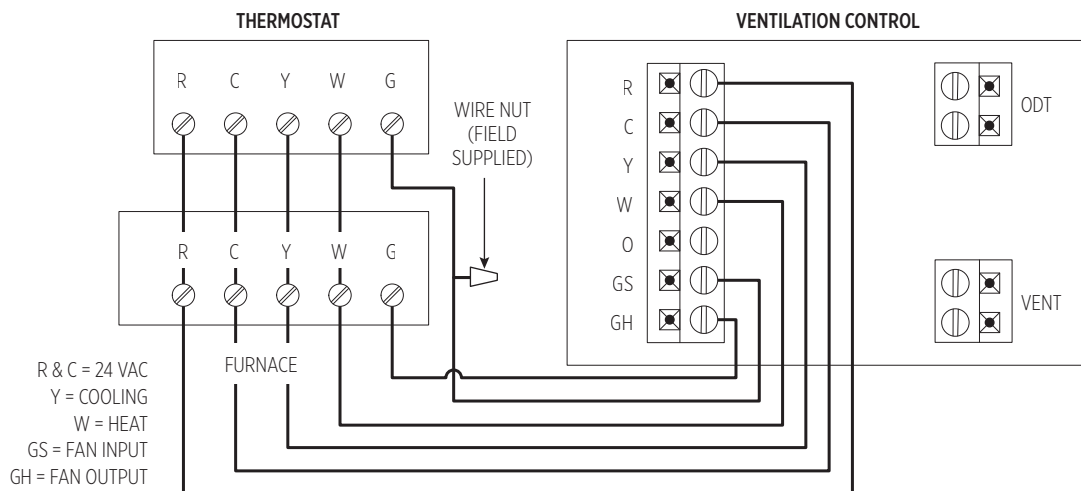
Disconnect power to HVAC system during wiring to avoid electrical shorts.

1. Remove the control from the mounting plate as shown in **FIGURE 9**. Set control aside in a safe place until all wiring has been completed.
2. Run a 6-conductor (min.) cable (for furnace/AC applications) or a 7-conductor (min.) cable between the control and the HVAC system.
3. Wire to the HVAC system in accordance with **FIGURE 10** if installed in a furnace/AC application or **FIGURE 11** if installed with a heat pump.

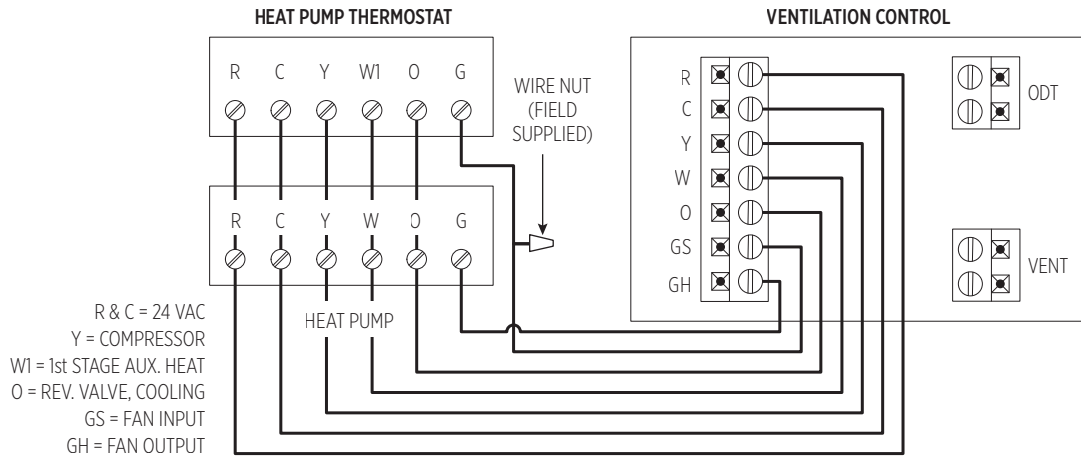
**FIGURE 9 – REMOVE CONTROL FROM MOUNTING PLATE**



**FIGURE 10 – WIRING VENTILATION CONTROL TO A FURNACE**

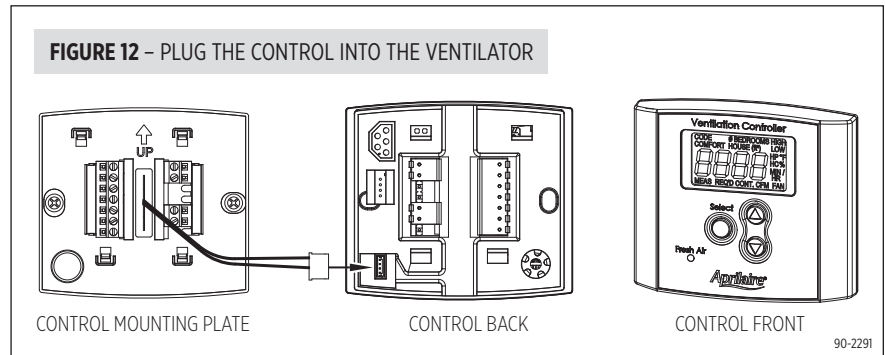


**FIGURE 11 – WIRING VENTILATION CONTROL TO A HEAT PUMP**



## MODEL 8140 – CONNECTING THE CONTROL TO THE VENTILATOR

Plug the Control Connector into the back of the control at the location shown in **FIGURE 12**. Route the connector wire through the channels in the control and reattach the control to the mounting plate. Restore power to the HVAC system and plug in the ventilator when complete.



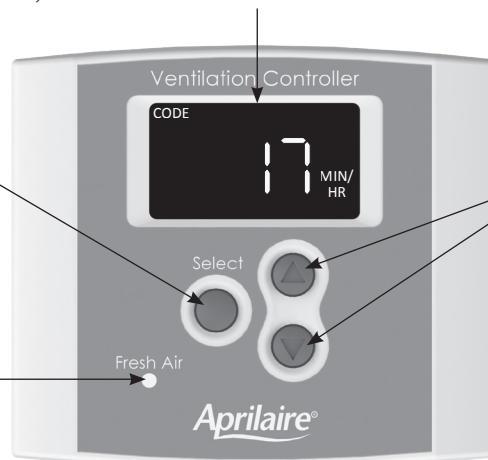
## MODEL 8140 – OPERATION

The display will appear faint normally; the first press of any button will turn on the display at full power.

Shows the ventilation time setting (minutes/hr), mode of operation (Code or Comfort) and whether the HVAC fan has been turned on when ventilating.

Use for Rater/Inspector Verification. Press and hold for 5 seconds to enter Test Mode or Set Up Menu.

Lights green when ventilating.

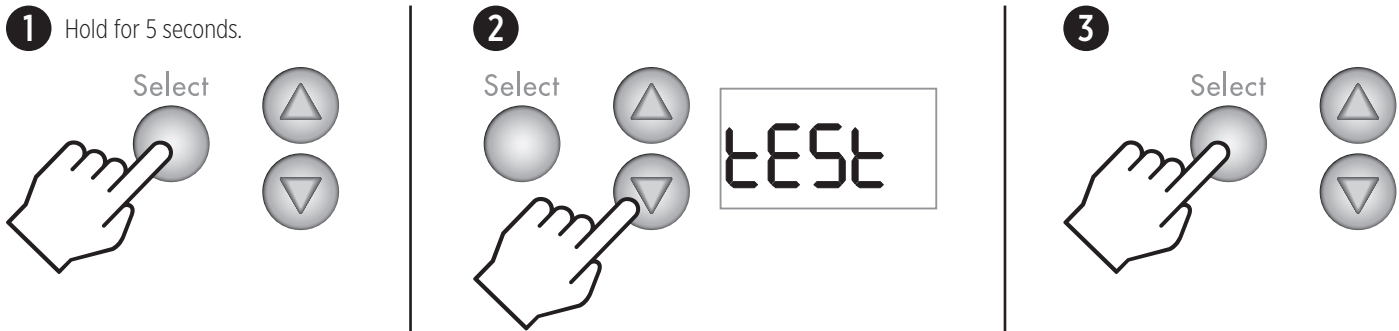


Use to override the calculated ventilation time setting (6 – 60 minutes/hr). Press and hold ▼ to turn ventilation OFF.

To return to the calculated setting, go completely through the Set Up Menu.

## MODEL 8140 – TEST MODE

After wiring and set up have been completed, Test Mode can be used to verify that all components in the ventilation system function and that wiring to the HVAC system fan is correct.



Test Sequence	Description
	Shows outdoor temperature or ---- °F if no separate outdoor temperature sensor has been installed. Model 8140 installations do not require a separate sensor – outdoor temperature is measured by the control's on-board sensor.
	<b>tEst</b> shows on the display, the green <b>Fresh Air</b> LED will light and either the damper will open or the power ventilator will turn on depending on what has been wired to the VENT terminals.

Test Sequence	Description
	After 15 seconds, the HVAC fan will turn on if it has been wired and set up to do so. The display will show <b>FAN</b> along with <b>tEst</b> .
	After 45 seconds Test Mode automatically completes and the display returns to the operating display.

## MEASURE DELIVERED AIRFLOW

1. Make sure the ventilator is plugged in and wired to an external control (Model 8140NC) or that the integral control is wired to the HVAC system (Model 8140).
2. Use 1/4" flexible tubing to attach a pressure gauge set to " w.c. (sometimes shown as "in. w.g." or "in. H2O") to the inlet and outlet pressure ports on the ventilator. The pressure gauge should have as small a range as possible to get a meaningful measurement – a range of 1.0" w.c. should be sufficient. Connect the high or "+" port of the gauge to the outlet pressure port on the ventilator, and the low or "-" port of the gauge to the inlet pressure port on the ventilator. See **FIGURE 13**.
3. **Model 8140NC** – Turn on the ventilator using the installed control for the Model 8140NC. This can be done by temporarily changing the ventilation setting to 60 minutes/hour or you can simply place a jumper between the VENT terminals of the ventilator.

**Model 8140** – Turn on the ventilator by using the "Up" button to increase the ventilation setting to 60 MIN./HR.

4. Use the label on the cover of the ventilator, or **TABLE 3**, to convert the pressure reading to delivered airflow. If the pressure reading falls between listed values, either use the lower value or interpolate between values:  $CFM = \text{Lower Value} + [(\text{Higher Value} - \text{Lower Value}) * 10 * (\text{Pressure Reading} - \text{Lower Value Pressure})]$ . The following is an example:

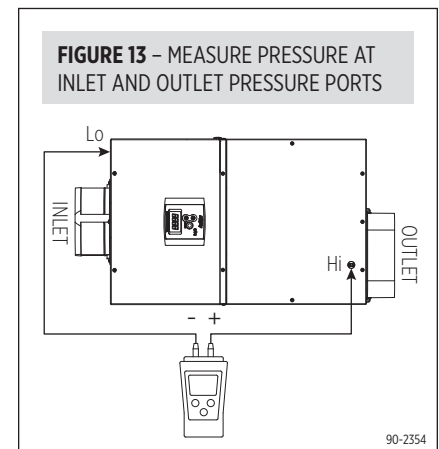
a. Measured Pressure Reading is 0.34" w.c.

b. Table 2 lists 205 CFM @ 0.3" w.c. and 175 @ 0.4" w.c.

c. Either use 175 CFM or interpolate:

$$CFM = 175 + [(205-175) * 10 * (0.34-0.3)] = 175 + [(30) * 10 * (.04)] = 175 + 12 = 187 \text{ CFM}$$

Interpolating will demonstrate higher delivered airflow, but requires a calculation to be done.



Measured Pressure (" w.c.)	Delivered Airflow (CFM)
0.1	250
0.2	230
0.3	205
0.4	175
0.5	145
0.6	110
0.7	70

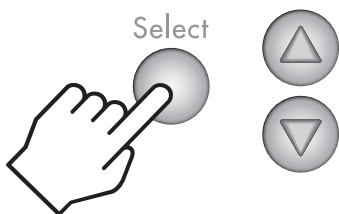


# MODEL 8140 – SET UP

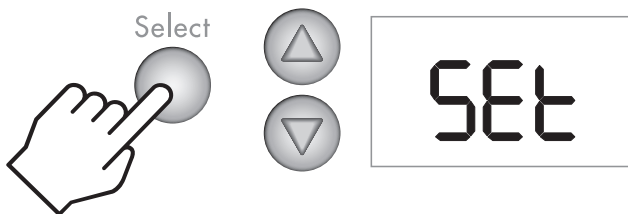
## NOTICE

Before setting up the control for use, the amount of ventilation air being delivered (CFM) by the installed ventilation system must be measured.

**1** Hold for 5 seconds, then release.



**2**



Throughout the Set Up Menu, the ▲ and ▼ buttons are used to change values, the **Select** button is used enter the value and move on to the next Set Up Menu item.

Menu Item	Values ▲▼	Description
	HP or HC	<b>HP</b> if wiring to a heat pump. <b>HC</b> if wiring to furnace and AC.
	1 – 10	<b>Number of bedrooms</b> – used to calculate required continuous ventilation rate.
	500 – 7500 ft <sup>2</sup>	<b>Square footage</b> – used to calculate required continuous ventilation rate.
	30 – 250 CFM	<b>Measured outdoor airflow</b> delivered during ventilation.
	OFF, 85°F – 105°F	<b>Ventilation high temperature limit.</b> Ventilation is limited when the outdoor temperature exceeds the setting. Turn OFF if no high limit is desired.
	OFF, -10°F – 40°F	<b>Ventilation low temperature limit.</b> Ventilation is limited when the outdoor temperature falls below the setting. Turn OFF if no low limit is desired.
	On, “bLnd”, OFF	<b>ON</b> HVAC fan turns on whenever ventilation occurs. <b>bLnd</b> (blend) HVAC fan turns on with ventilation only when the outdoor temperature is outside a set range. <b>OFF</b> HVAC fan is not turned on with ventilation.

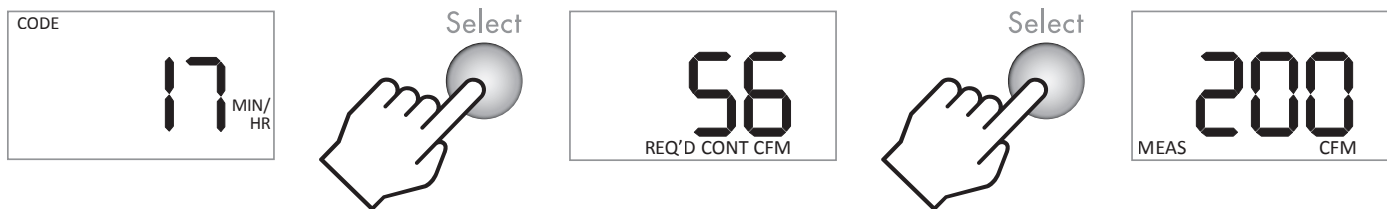
Menu Item	Values ▲▼	Description
	OFF, 60°F to 5°F less than Vent. High Temp. Limit	Only available when <b>bLnd</b> is selected. When the outdoor temperature is above the setting, the HVAC fan will be turned on to mix (blend) outdoor air with indoor air for tempering.
	OFF, 5°F less than Vent. Low Temp. Limit to 55°F	Only available when <b>bLnd</b> is selected. When the outdoor temperature is below the setting, the HVAC fan will be turned on to mix (blend) outdoor air with indoor air for tempering.
	“codE”, “cFrt”	<b>codE</b> No RH limits and any missed ventilation due to temperature is made up per ASHRAE 62.2-2010. <b>cFrt</b> (comfort) Adds indoor RH limits to ventilation; ventilation missed due to limits is not made up.
	OFF, 45% – 70% RH	Only available when <b>cFrt</b> is selected. When the outdoor RH exceeds the setting, ventilation will not occur.
	OFF, 10% – 30% RH	Only available when <b>cFrt</b> is selected. When the outdoor RH drops below the setting, ventilation will not occur.

When all Set Up Menu options have been entered, the control will display **donE**.

**IMPORTANT NOTE:** The 8140 control senses the temperature and humidity of the outdoor air. To prevent extended periods of inactivity, set the control mode to **codE**, or if setting to **cFrt** (comfort), set the RH limits to **OFF**.

## MODEL 8140 – RATER/INSPECTOR VERIFICATION

To verify the ventilation time setting, press the **Select** button to scroll through the calculated Required Continuous CFM and the Measured CFM for this installation. If any value does not match the expected value, the Set Up Menu must be entered to change the floor area, number of bedrooms or measured CFM.



The calculation used for the ventilation time setting is (all calculations compliant with ASHRAE Standard 62.2-2010):

$$\text{Minutes per Hour} = 60 * \left( \frac{\text{Required Continuous CFM}}{\text{Measured CFM}} \right)$$

Measured CFM is entered during set up and Required Continuous CFM is calculated according to the equation below:

$$\text{Required Continuous CFM} = ((\text{Floor Area ft}^2 * .01) + (\text{No. of Bedrooms} + 1) * 7.5)$$

## MODEL 8140 – SEQUENCE OF OPERATION

### “CODE” SETTING

The control will turn on ventilation with a heating, cooling or fan call for the set number of minutes during a one-hour cycle period. If the outdoor temperature is above the high temperature ventilation limit, ventilation will not occur with a cool or fan call, but if it is below the low temperature ventilation limit it will occur with a heat call. If the HVAC equipment does not turn on enough to meet the ventilation time within the hour, the control will turn on ventilation without a call, if the outdoor air temperature is within the high and low ventilation temperature limits. The control will also turn on the HVAC system blower, if wired and set up to do so.

If the outdoor temperature exceeds the limits set at the end of the first hour, then no additional ventilation will occur for another 60 minutes, and the cycle period will automatically adjust to four hours. When the ventilator starts again, it will sample the air temperature and if in range, will meet the set amount of ventilation during the four-hour cycle period. For example, if the Vent Time was set to 25 minutes per hour and the air temperature fell below the low limit setting ventilation would only occur during a heating call. If the heating only operated for 10 minutes during the hour, the control will automatically change the cycle period to four hours and work to provide the additional 90 total minutes of ventilation (25 min/hr \* 4 hours = 100 minutes, minus the 10 minutes of ventilation that occurred during heating) during the four-hour cycle period.

If the air temperature is still out of range, the control will automatically switch to an 8-hour cycle period, then a 12-hour cycle period and finally a 24-hour cycle period. During 8, 12 and 24 hour cycle periods, the total ventilation time increases to compensate for ventilation effectiveness as defined in ASHRAE Standard 62.2-2010. When the cycle period automatically adjusts to 24-hours, the control will turn on ventilation to meet the requirements even if the temperature is outside of the set limits.

### “COMFORT” SETTING

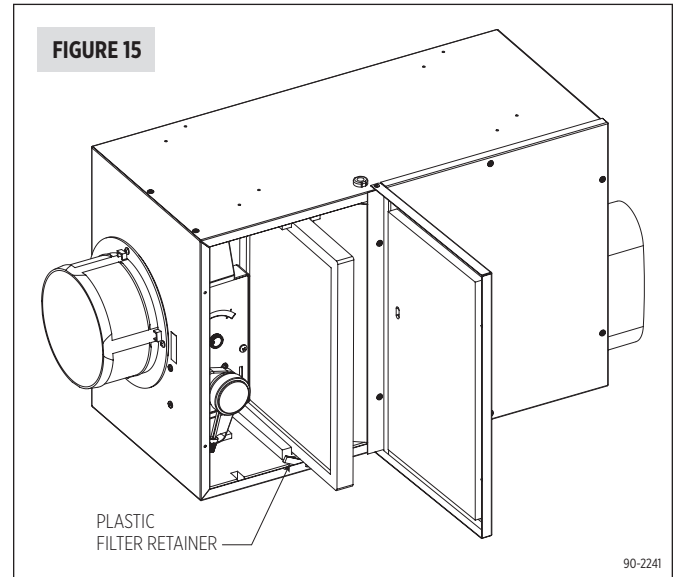
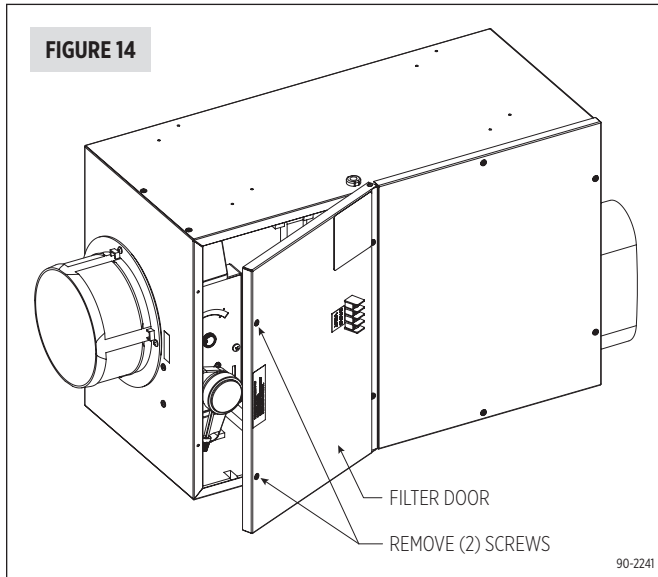
The control will turn on ventilation with a heating, cooling or fan call by the HVAC equipment, if the outdoor air temperature is within the high and low ventilation temperature limits and the outdoor RH is within the high and low RH limits, for the set number of minutes during a one-hour cycle period. If the HVAC equipment does not turn on enough to meet the ventilation time within the hour, the control will turn on ventilation without a call, if the outdoor air temperature and indoor RH is within the set limits. The control will also turn on the HVAC system blower, if wired and set up to do so.

## FILTER CLEANING

Normally, the fresh air filter will need to be removed and cleaned every six months, but check it after the first three months following installation to determine if more or less frequent cleaning will be necessary. After cleaning the filter inside the ventilator, clean off the screen at the fresh air intake hood on the outside of the house. The most common cause of reduced ventilation is a clogged air intake hood.

### To clean the ventilator filter:

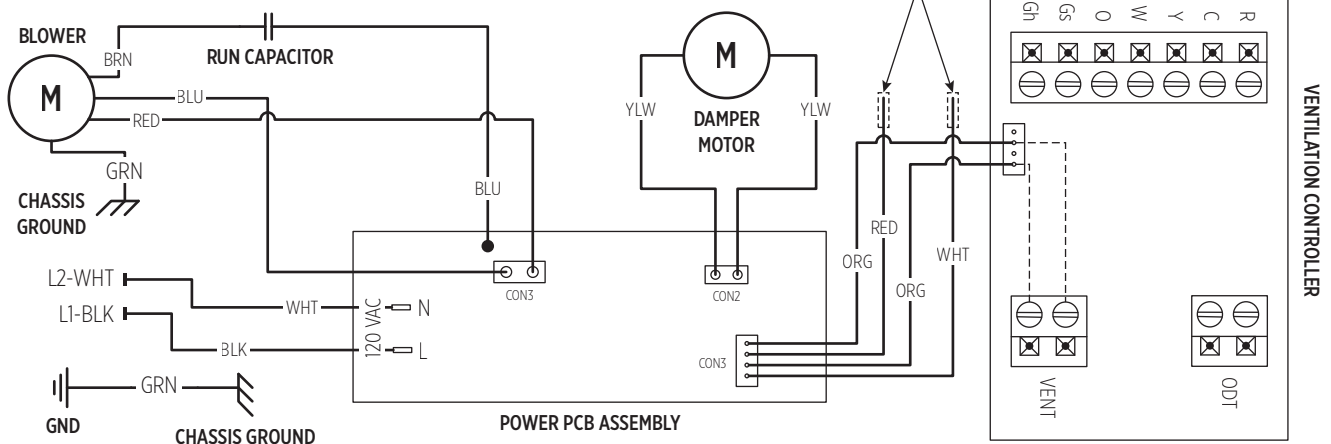
1. Remove the two screws securing the filter door to the housing and swing open the door (**FIGURE 14**).
2. Rotate the plastic filter retainer to release the filter and remove it from the ventilator (**FIGURE 15**).
3. Use water to rinse the filter and shake the excess moisture off the filter.
4. Replace the filter in the ventilator, turn the filter retainer to secure it in the housing, and close and secure the filter door.



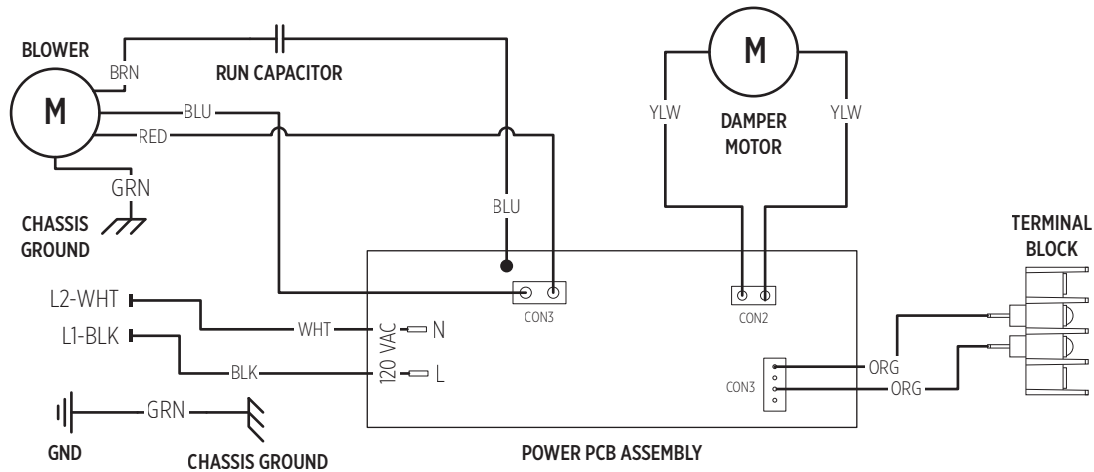
## INTERNAL SCHEMATICS

**FIGURE 16 – MODEL 8140 INTERNAL SCHEMATIC**

CAPPED RED & WHITE WIRES ARE LOCATED INSIDE THE FILTER DOOR TO POWER THE CONTROL (R & C TERMINALS) FROM THE POWER PCB ASSEMBLY. **USE ONLY IF THE VENTILATOR CONTROLLER WILL NOT BE WIRED TO THE HVAC SYSTEM.**



**FIGURE 17 – MODEL 8140NC INTERNAL SCHEMATIC**



## LIMITED WARRANTY

Your Research Products Corporation Aprilaire® Fresh Air Ventilator is expressly warranted for five (5) years from date of installation to be free from defects in materials or workmanship.

Research Products Corporation's exclusive obligation under this warranty shall be to supply, without charge, a replacement for any component which is found to be defective within such five (5) year period and which is returned not later than thirty (30) days after said five (5) year period by you to either your original supplier or to Research Products Corporation, Madison, Wisconsin 53701, together with the model number and installation date of the ventilator.

THIS WARRANTY SHALL NOT OBLIGATE RESEARCH PRODUCTS CORPORATION FOR ANY LABOR COSTS AND SHALL NOT APPLY TO DEFECTS IN WORKMANSHIP OR MATERIALS FURNISHED BY YOUR INSTALLER AS CONTRASTED TO DEFECTS IN THE VENTILATOR ITSELF.

IMPLIED WARRANTIES OF MERCHANTABILITY OR FITNESS FOR A PARTICULAR PURPOSE SHALL BE LIMITED IN DURATION TO THE AFORESAID FIVE YEAR PERIOD. RESEARCH PRODUCTS CORPORATION'S LIABILITY FOR INCIDENTAL OR CONSEQUENTIAL DAMAGES, OTHER THAN DAMAGES FOR PERSONAL INJURIES, RESULTING FROM ANY BREACH OF THE AFORESAID IMPLIED WARRANTIES OR THE ABOVE LIMITED WARRANTY IS EXPRESSLY EXCLUDED. THIS LIMITED WARRANTY IS VOID IF DEFECTS(S) RESULT FROM FAILURE TO HAVE THIS UNIT INSTALLED BY A QUALIFIED HEATING AND AIR CONDITIONING CONTRACTOR. IF THE LIMITED WARRANTY IS VOID DUE TO FAILURE TO USE A QUALIFIED CONTRACTOR, ALL DISCLAIMERS OF IMPLIED WARRANTIES SHALL BE EFFECTIVE UPON INSTALLATION.

Some states do not allow limitations on how long an implied warranty lasts or the exclusion or limitation of incidental or consequential damages so the above exclusion or limitations may not apply to you.

This warranty gives you specific legal rights and you may also have other rights which vary from state to state.

## WARRANTY REGISTRATION

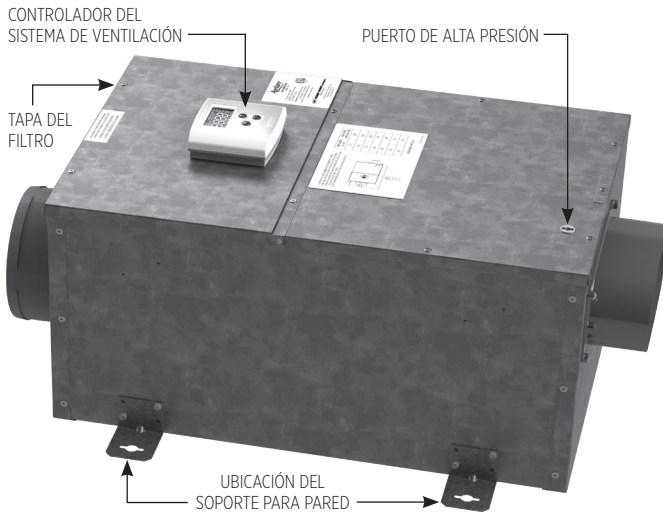
Visit us online at [www.aprilaire.com](http://www.aprilaire.com) to register your Aprilaire product. If you do not have online access, please mail a postcard with your name, address, phone number, email address, product purchased, model number, date of purchase, and dealer name and address to: Research Products Corporation, P.O. Box 1467, Madison, WI 53701.

**Your warranty registration information will not be sold or shared outside of this company.**

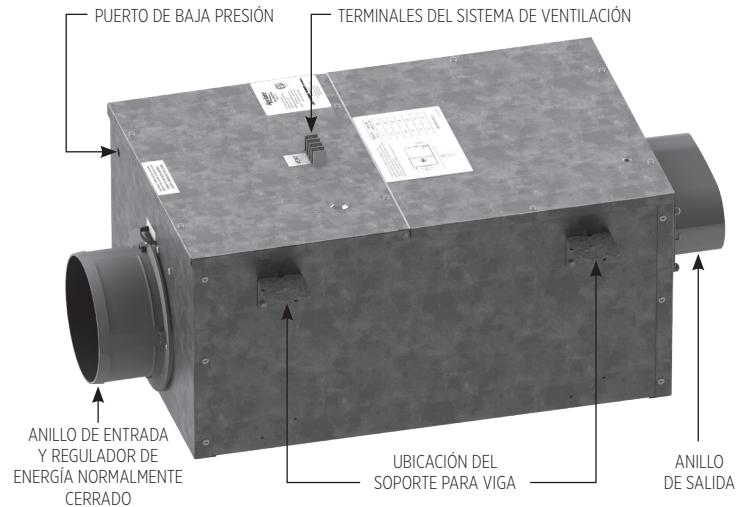
AprilairePartners.com  
 P.O. Box 1467  
 Madison, WI 53701-1467  
 800.334.6011 F: 608.257.4357  
 Printed in USA  
 ©2019 Aprilaire – Division of Research Products Corporation

**Aprilaire®**

### VENTILADOR DE AIRE FRESCO MODELO 8140



### VENTILADOR DE AIRE FRESCO MODELO 8140NC



## INSTRUCCIONES DE SEGURIDAD

### ⚠ ADVERTENCIA

1. El voltaje de 120 V puede provocar lesiones graves por descarga eléctrica. Antes de comenzar con el proceso de instalación o de mantenimiento, desconecte el artefacto. Deje el artefacto desconectado hasta que se complete la instalación.
2. Los bordes filosos pueden causar lesiones graves por cortes. Se debe tener precaución al cortar las aberturas de la cámara y manipular los conductos.

### ⚠ PRECAUCIÓN

1. Lea las instrucciones antes de comenzar con la instalación.
2. Si se instala el artefacto de manera incorrecta puede causar daños a la propiedad o lesiones. Un técnico calificado debe realizar la instalación, el servicio y el mantenimiento del artefacto.

## ÍNDICE

Instrucciones de seguridad .....	1	Modelo 8140: cableado del control al sistema de HVAC .....	6
Introducción y declaración de cumplimiento .....	2	Modelo 8140: cómo conectar el control al ventilador.....	7
Especificaciones .....	2	Modelo 8140: funcionamiento .....	7
Instalación del tomacorriente .....	2	Modelo 8140: modo de prueba .....	8
Ubicación y orientación del ventilador .....	3	Medición del flujo de aire distribuido.....	8
Instalación del ventilador .....	3	Modelo 8140: configuración.....	9
Instalación del extractor de admisión .....	4	Modelo 8140: verificación del evaluador/inspector.....	10
Instalación de los conductos .....	4	Modelo 8140: secuencia de funcionamiento.....	10
Modelo 8140NC: cableado para varios controles.....	5	Limpieza del filtro.....	11
Modelo 8140NC: modo de prueba .....	6	Esquemas internos.....	11
Modelo 8140NC: secuencia de funcionamiento.....	6	Garantía limitada .....	12

**LEA Y CONSERVE ESTAS INSTRUCCIONES**

## INTRODUCCIÓN Y DECLARACIÓN DE CUMPLIMIENTO

El ventilador de aire fresco modelo 8140 y 8140NC está diseñado para incorporar de manera precisa la cantidad correcta de aire del exterior a las viviendas actuales diseñadas eficientemente. Conduzca la entrada del ventilador a una entrada de aire exterior y conduzca la descarga al sistema de HVAC; luego, simplemente enchufe la unidad, configure la cantidad de ventilación necesaria y seleccione los límites de temperatura deseados.

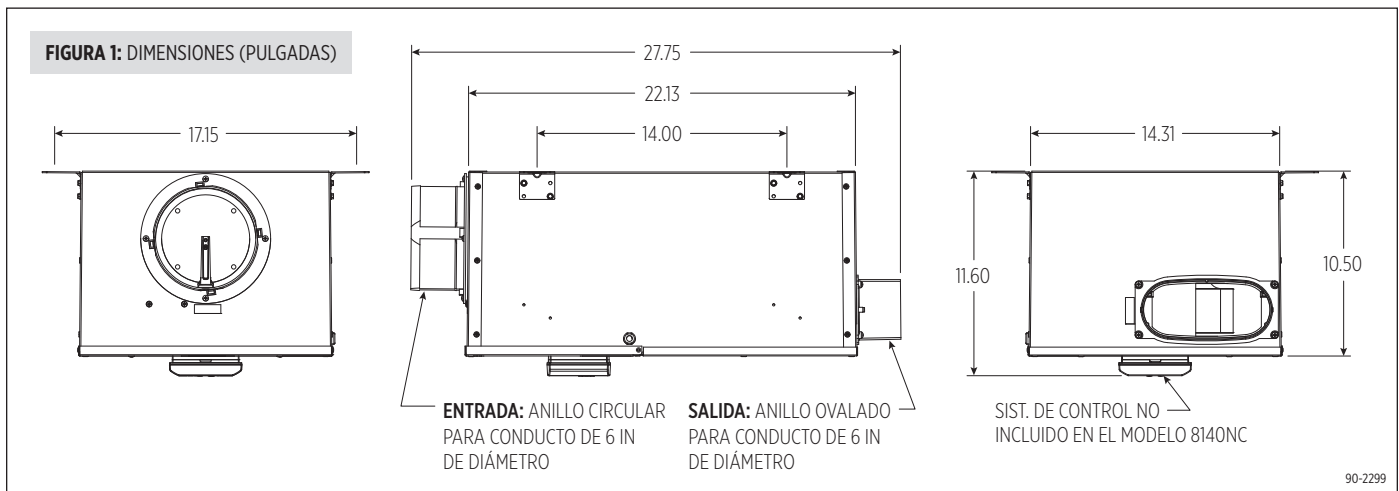
Los límites de temperatura se configuran en el sistema de control para evitar incorporar aire del exterior durante los períodos más calurosos del día. El sistema de control integrado compensará de manera automática el tiempo de ventilación que se pierde al incorporar más aire del exterior durante los períodos más templados del día. Se cumple con los requisitos de la norma 62.2-2010 de ASHRAE, ya que el sistema de control agrega tiempo de ventilación, si es necesario, según el porcentaje de tiempo en fracciones y la efectividad del programa de ventilación. El sistema de control también se asegura que la ventilación se produzca durante no menos de una hora de cada cuatro. Si se instalan y se configuran de manera adecuada, los ventiladores de aire fresco modelo 8140 y 8140NC cumplirán con los requisitos mecánicos de ventilación de:

Energy Star Certified Homes, versión 3  
 Indoor airPLUS de la EPA, versión 1  
 Código Residencial Internacional (IRC) 2012 y 2015  
 Código Internacional de Conservación de Energía (IECC) 2012 y 2015  
 Título 24 de la Comisión de Energía de California

## ESPECIFICACIONES

**TABLA 1: ESPECIFICACIONES**

Presión estática externa (in de columna de agua)	Flujo de aire (pies cúbicos por minuto)	Eficacia (pies cúbicos por minuto/vatios)	Voltaje
0.0	250	4.5	120 VCA 1 fase 60 Hz
0.2	205	3.8	
0.4	165	3.1	
0.6	125	2.1	



## INSTALACIÓN DEL TOMACORRIENTE

Instale un receptáculo estándar NEMA 5-15 que sea adecuado para la ubicación, cerca del lugar donde se instalará el ventilador. El ventilador cuenta con un cable de 6 pies y un enchufe estándar de 3 puntas.

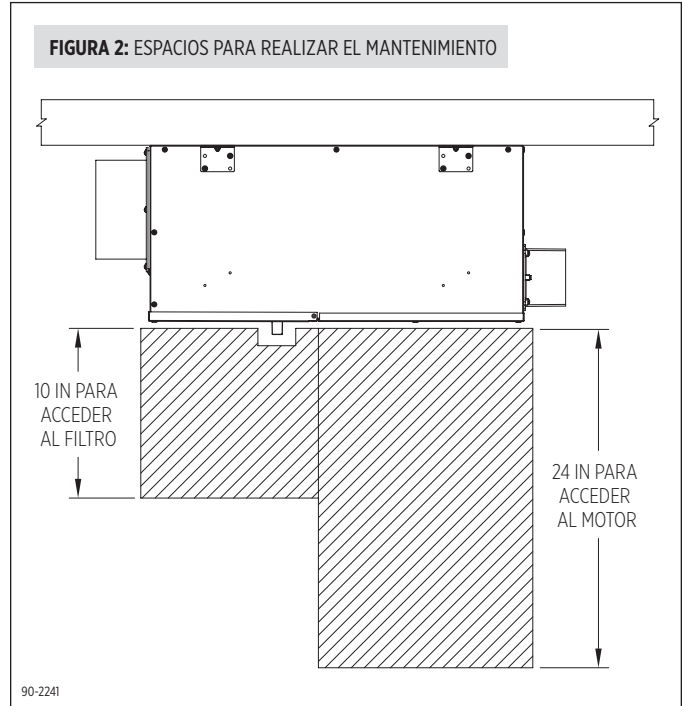
## UBICACIÓN Y ORIENTACIÓN DEL VENTILADOR

### ⚠ PRECAUCIÓN

1. Con la menor cantidad de piezas móviles expuestas, instale el soplador al menos a 8 pies (2.4 m) del piso o del nivel del suelo.
2. Instale el soplador a una distancia mínima de 3.3 pies (1.0 m) de cualquier abertura desde la que se pueda acceder al conducto.

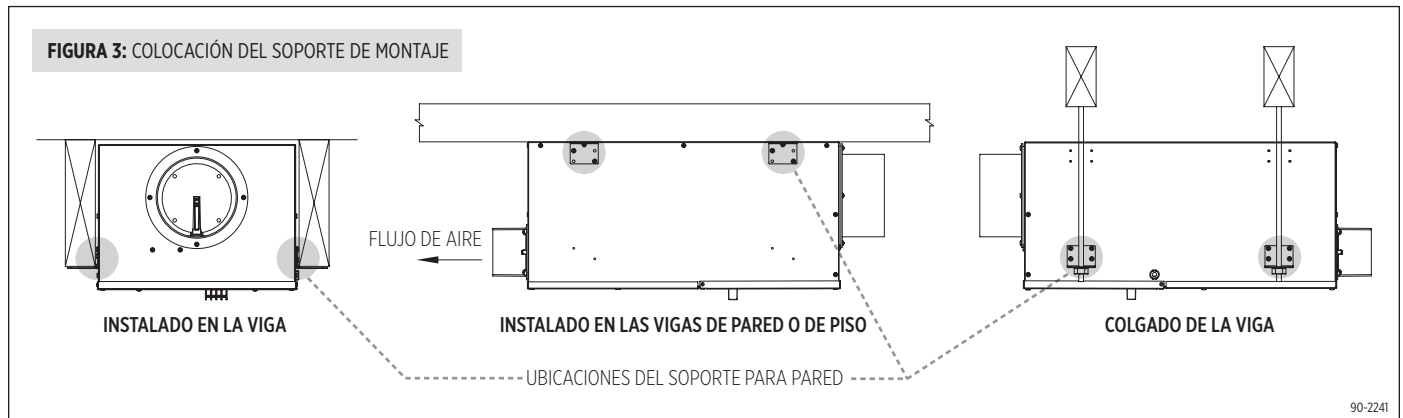
Seleccione una ubicación para instalar el ventilador que se encuentre a menos de 6 pies del tomacorriente en el que enchufará el ventilador. Deje espacio para retirar el filtro y para realizar el mantenimiento, tal como se muestra en la **FIGURA 2**.

El ventilador se puede instalar en cualquier orientación.



## INSTALACIÓN DEL VENTILADOR

1. Instale los soportes de montaje con los tornillos N.º 8 x 1/2 in que se proporcionan, al costado de la carcasa, tal como se muestra en la **FIGURA 3**. Utilice los orificios que se encuentran más cerca de las cubiertas para colocar el ventilador en las vigas del piso o para colgarlo de las vigas del techo. Utilice los orificios que se encuentran cerca de la parte inferior de la unidad para colocar el ventilador en una pared plana o en la superficie del techo.
2. Ajuste el ventilador en las vigas o en una plataforma resistente y utilice los tornillos N.º 10 x 3/4 in que se proporcionan para fijarlo en su lugar. El ventilador pesa aproximadamente 25 libras, por lo tanto no lo coloque sobre un panel de yeso.



## INSTALACIÓN DEL EXTRACTOR DE ADMISIÓN

Instale un extractor hermético con una malla contra pájaros.

Haga un agujero en la pared exterior que sea lo suficientemente grande como para que ingrese un conducto flexible aislado de 6 in con una compresión mínima del aislamiento. Pase el conducto a través del orificio y conecte el conducto flexible al anillo del extractor. Utilice cinta adhesiva metálica o una abrazadera de plástico para fijar el conducto al anillo. Tire de la barrera de vapor y del aislamiento sobre el conducto y péguela al anillo.

**IMPORTANTE:** se debe sellar el final del aislamiento para evitar que se produzca condensación dentro del aislamiento. Si se utiliza una abrazadera de plástico para asegurar el aislamiento al anillo del extractor, también coloque cinta al final para sellar y evitar problemas de condensación.

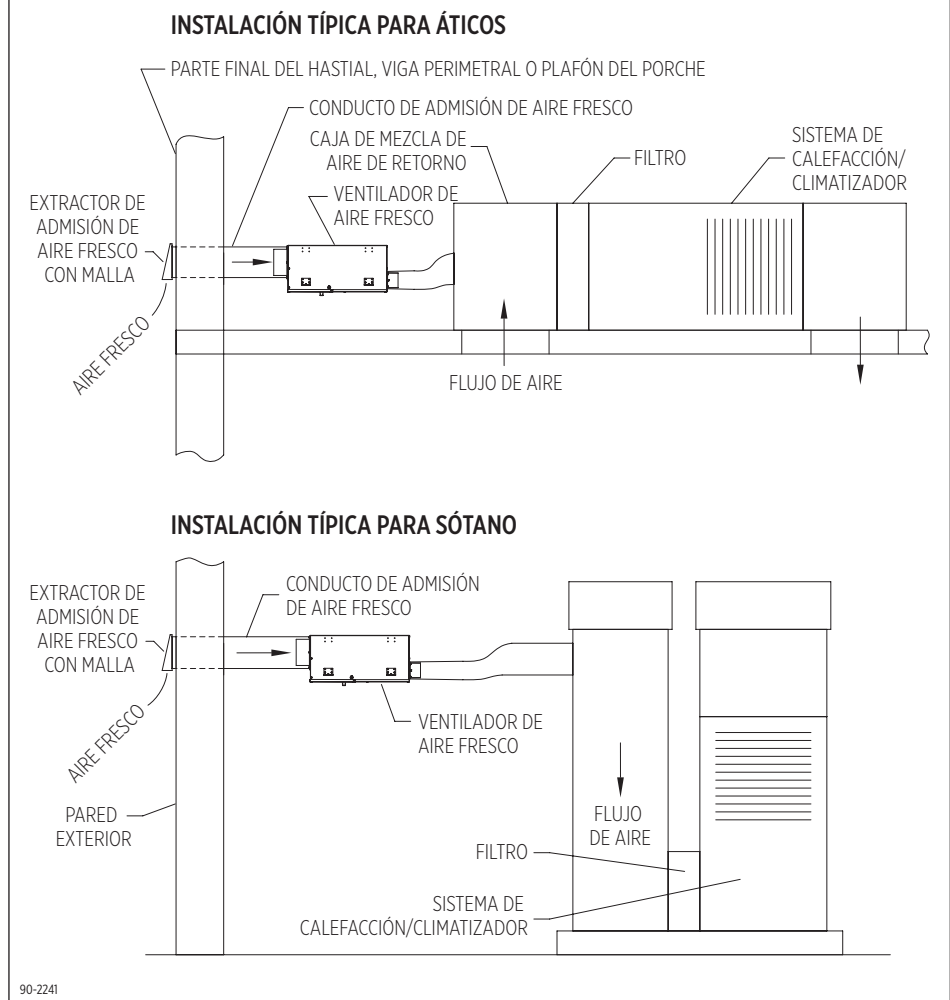
Presione el extractor contra la pared exterior y ajústelo en su lugar con los tornillos; selle todo el perímetro del extractor con sellador.

## INSTALACIÓN DE LOS CONDUCTOS

Instale un conducto flexible, aislado de 6 in de diámetro desde el anillo de entrada redondo de la unidad al extractor de admisión y desde el anillo de salida ovalado de la unidad hasta el sistema de HVAC. Conduzca la salida del ventilador hacia el **lateral de retorno** del sistema de HVAC (consulte la **FIGURA 4**).

**IMPORTANTE:** se debe sellar el final del aislamiento para evitar que se produzca condensación dentro del aislamiento. Si se utiliza una abrazadera de plástico para asegurar el aislamiento al anillo del extractor, también coloque cinta al final para sellar y evitar problemas de condensación.

**FIGURA 4:** INSTALACIÓN DE LOS CONDUCTOS EN SISTEMAS DE HVAC CON FLUJO DE AIRE ASCENDENTE Y HORIZONTAL





# MODELO 8140NC: CABLEADO PARA VARIOS CONTROLES

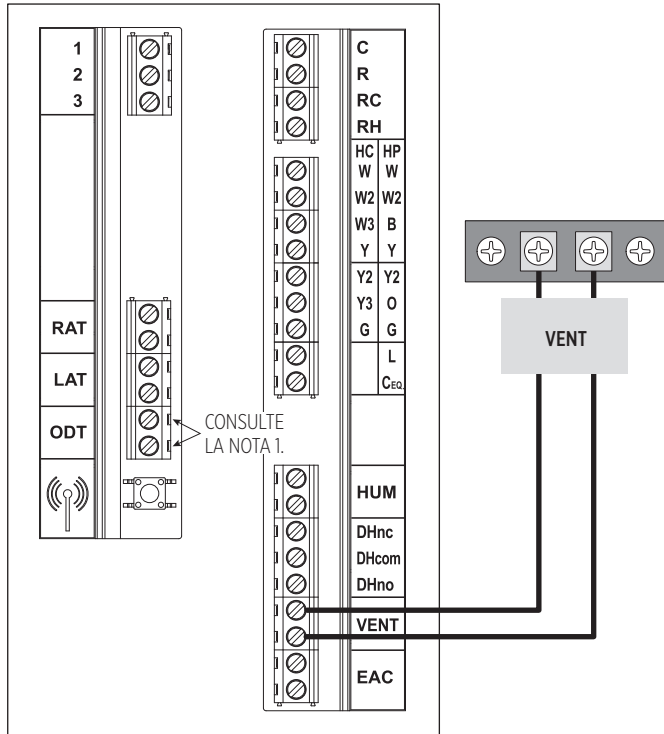
## Controles sugeridos:

- Los modelos con control de Calidad del aire interior (Indoor Air Quality, IAQ) 8910, 8910W o 8920W de Aprilaire
- Los modelos de termostato 8620 o 8620W de Aprilaire
- Controlador digital del sistema de ventilación modelo 8120A o 8120X

Seleccione el diagrama que corresponda de acuerdo con el sistema de control que se utilizará. Conecte los controles al equipo de HVAC y a cualquier otro accesorio del sistema de IAQ de acuerdo con la información que se proporciona con el control.

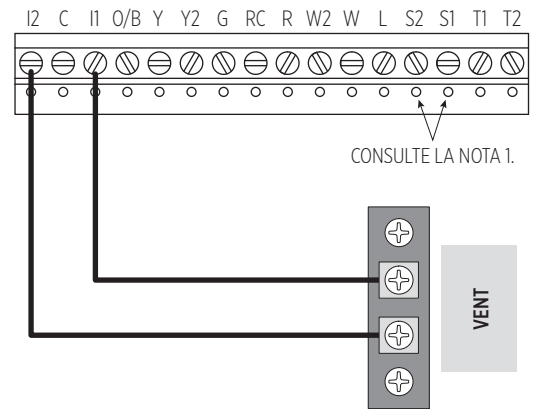
**FIGURA 5: CABLEADO DEL SISTEMA DE CONTROL DE IAQ**

### MÓDULO DE CONTROL DEL SISTEMA DE CONTROL DE IAQ



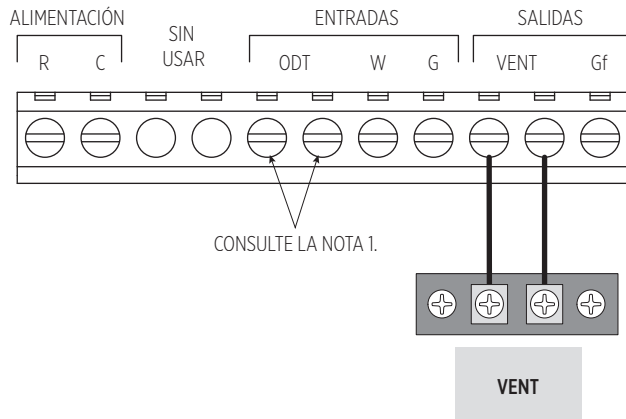
**FIGURA 6: CABLEADO DEL TERMOSTATO**

### TERMOSTATO MODELO 8620/8620W



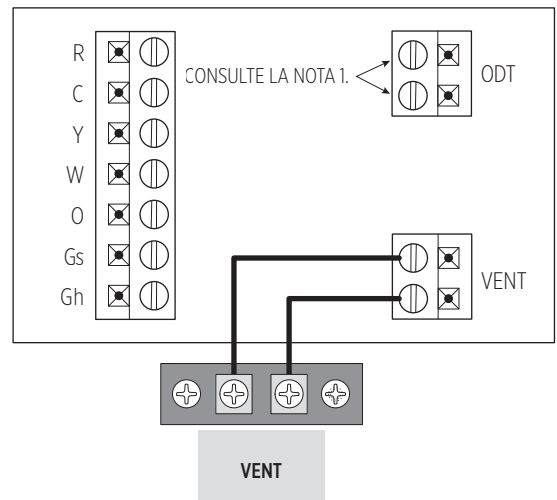
**FIGURA 7: CABLEADO DEL MODELO 8120A**

### CONTROLADOR DIGITAL DEL SISTEMA DE VENTILACIÓN MODELO 8120A



**FIGURA 8: CABLEADO DEL MODELO 8120X**

### CONTROLADOR DIGITAL DEL SISTEMA DE VENTILACIÓN MODELO 8120X



**NOTA 1:** se debe instalar un sensor de temperatura exterior para utilizar los límites de temperatura exterior y así controlar el sistema de ventilación.

## MODELO 8140NC: MODO DE PRUEBA

Una vez que la instalación de los conductos y el cableado se haya completado, conecte el ventilador, restablezca la alimentación del sistema de HVAC y asegúrese de que el interruptor que controla el tomacorriente en el que está enchufado el ventilador (si corresponde) esté encendido.

1. Utilice el sistema de control instalado para completar un circuito entre los terminales VENT en el modelo 8140NC.
2. Verifique que el soplador del ventilador arranque y que se abra el regulador integral.
3. Si se conectó el ventilador para encender el soplador de ventilación del sistema de HVAC, verifique que el soplador esté encendido.
4. Mida el flujo de aire (CFM) que distribuye el ventilador instalado. Consulte la sección **MEDICIÓN DEL FLUJO DE AIRE DISTRIBUIDO** en la página 8.
5. Mediante las instrucciones que se proporcionan junto con el sistema de control instalado, configure el sistema de ventilación según corresponda.

## MODELO 8140NC: SECUENCIA DE FUNCIONAMIENTO

Consulte el manual de instalación que se proporciona con el sistema de control que está conectado al modelo 8140NC.

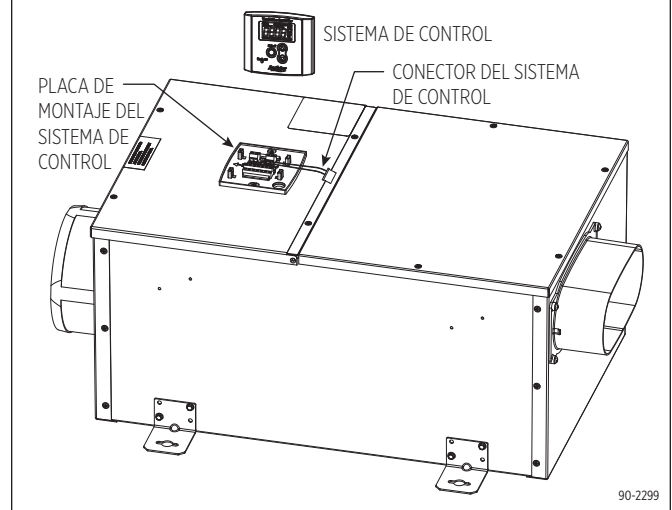
## MODELO 8140: CABLEADO DEL CONTROL AL SISTEMA DE HVAC

### AVISO

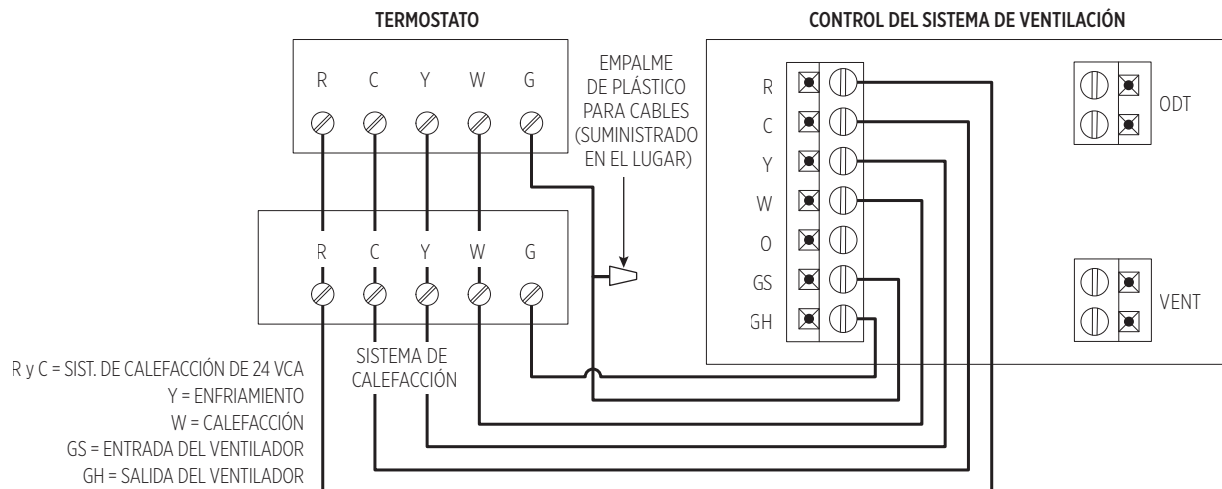
Desenchufe el sistema de HVAC durante el cableado para evitar que ocurran cortocircuitos eléctricos.

1. Retire el sistema de control de la placa de montaje tal como se muestra en la **FIGURA 9**. Coloque el sistema de control en un lugar seguro hasta que finalice de realizar todo el cableado.
2. Pase un cable de 6 conductores (mínimo) (para sistema de calefacción/aire acondicionado) o un cable de 7 conductores (mínimo) entre el sistema de control y el sistema de HVAC.
3. Conecte el cable al sistema de HVAC de acuerdo con la **FIGURA 10** si está instalado en un sistema de calefacción/aire acondicionado o de acuerdo con la **FIGURA 11** si está instalado en un sistema de bomba de calor.

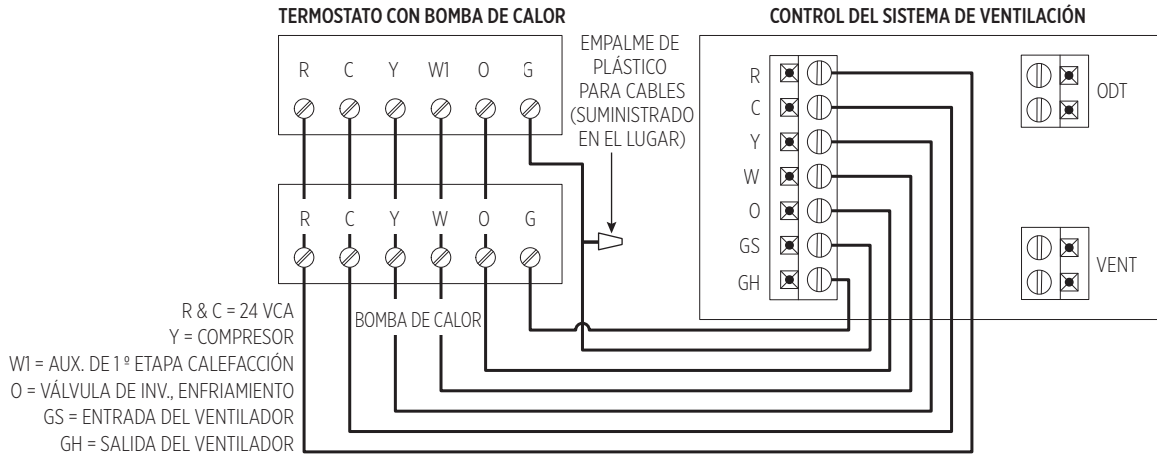
**FIGURA 9:** RETIRO DEL SISTEMA DE CONTROL DE LA PLACA DE MONTAJE



**FIGURA 10:** CABLEADO DEL SISTEMA DE CONTROL DE LA VENTILACIÓN A UN SISTEMA DE CALEFACCIÓN



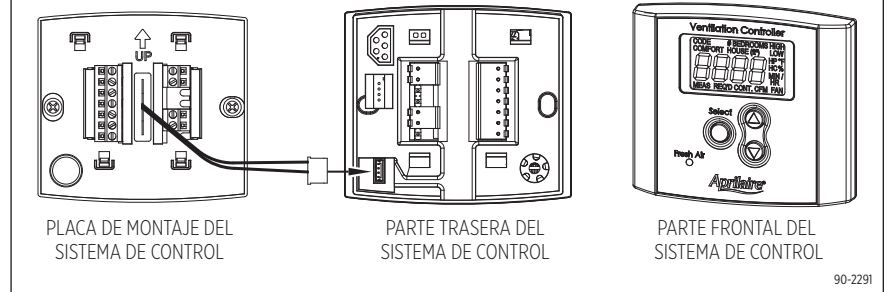
**FIGURA 11: CABLEADO DEL SISTEMA DE CONTROL DE LA VENTILACIÓN A UNA BOMBA DE CALOR**



## MODELO 8140: CÓMO CONECTAR EL SISTEMA DE CONTROL AL VENTILADOR

Enchufe el conector del sistema de control en la parte posterior del control en la ubicación que se muestra en la **FIGURA 12**. Pase el cable del conector a través de los canales en el sistema de control y vuelva a conectar el sistema de control a la placa de montaje. Cuando finalice, vuelva a conectar el sistema de HVAC y conecte el ventilador.

**FIGURA 12: CONEXIÓN DEL SISTEMA DE CONTROL AL VENTILADOR**



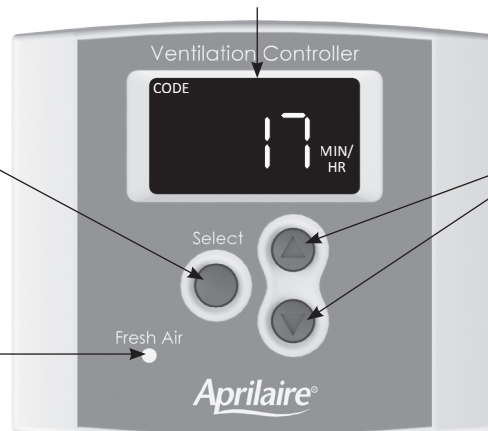
## MODELO 8140: FUNCIONAMIENTO

Por lo general, la pantalla aparecerá con luz tenue; el primer botón que se presione encenderá la pantalla al máximo.

Muestra la configuración de tiempo del sistema de ventilación (minutos/hora), el modo de funcionamiento (Código o Comodidad) y si el ventilador del sistema de HVAC se encendió al momento de iniciar el sistema de ventilación.

Uso del sistema de verificación del evaluador/inspector. Mantenga presionado durante 5 segundos para ingresar al modo de prueba o al menú de configuración.

Las luces se encienden en color verde cuando el sistema de ventilación está encendido.



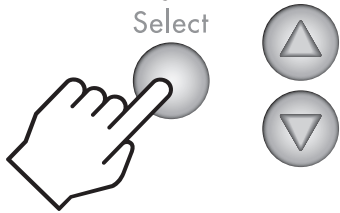
Se utiliza para anular la configuración del tiempo de ventilación calculado (6 a 60 minutos/hora). Mantenga presionado ▼ para apagar el sistema de ventilación.

Para regresar a la configuración calculada, complete el menú de configuración.

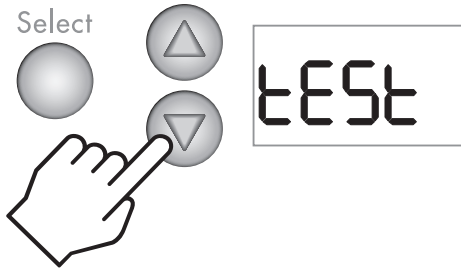
## MODELO 8140: MODO DE PRUEBA

Una vez que finalice el cableado y la configuración, se puede utilizar la función Test Mode (Modo de prueba) para verificar que todos los componentes del sistema de ventilación funcionen y que el cableado al ventilador del sistema de HVAC se haya realizado correctamente.

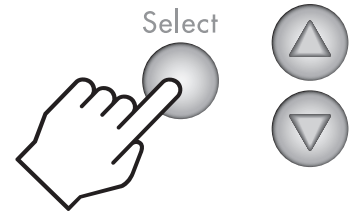
- 1** Mantenga presionado durante 5 segundos.



**2**



**3**



**TABLA 2: MENÚ DEL MODO DE PRUEBA DEL MODELO 8140**

Secuencia de prueba	Descripción
	Muestra <b>--- °F</b> para indicar que no se instaló ningún sensor de temperatura exterior independiente. Las instalaciones del modelo 8140 no requieren un sensor independiente: la temperatura exterior se mide con el sensor incorporado del sistema de control.
	Se muestra <b>tEST (Prueba)</b> en la pantalla, la luz LED verde de <b>Fresh Air (Aire fresco)</b> se encenderá y se abrirá el regulador o se encenderá el ventilador, según la forma en que se conectaron los terminales VENT.

**TABLA 2: MENÚ DEL MODO DE PRUEBA DEL MODELO 8140**

Secuencia de prueba	Descripción
	Después de 15 segundos, el ventilador del sistema de HVAC se encenderá si se conectó y está configurado para seguir este procedimiento. La pantalla mostrará <b>FAN (Ventilador)</b> junto con <b>tEST (Prueba)</b> .
	Después de 45 segundos, el modo de prueba finalizará de manera automática y la pantalla volverá a la pantalla de funcionamiento.

## MEDICIÓN DEL FLUJO DE AIRE DISTRIBUIDO

- Asegúrese de que el ventilador esté enchufado y conectado a un sistema de control externo (modelo 8140NC) o que el sistema de control integral esté conectado al sistema de HVAC (modelo 8140).
- Utilice conductos flexibles de 1/4 in para conectar un indicador de presión configurado para medir pulgadas de columna de agua (a veces se muestra como "in. w.g." o "in. H2O") en los puertos de presión de entrada y salida del ventilador. El indicador de presión debe contar con un rango lo más pequeño posible para obtener una medición significativa: un rango de 1.0 in de columna de agua debería ser suficiente. Conecte el puerto superior o "+" del indicador de presión al puerto de presión de la salida del ventilador y el puerto inferior o "-" del indicador al puerto de presión de la entrada del ventilador. Consulte la **FIGURA 13**.
- Modelo 8140NC:** encienda el ventilador mediante el sistema de control instalado para el modelo 8140NC. Esto se puede implementar al cambiar temporalmente la configuración del sistema de ventilación a 60 minutos/hora o simplemente puede colocar un puente de conexión entre los terminales VENT del ventilador.

**Modelo 8140:** encienda el ventilador con el botón "Up" (Arriba) para aumentar la configuración del sistema de ventilación a 60 min./hora.

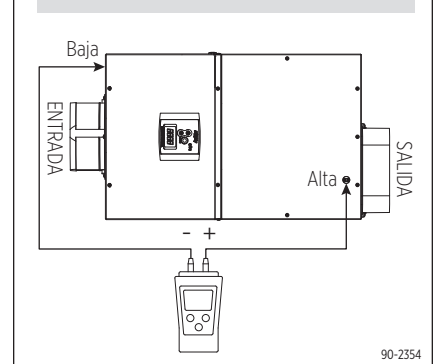
- Consulte la etiqueta que se encuentra en la tapa del ventilador, o la **TABLA 3**, para convertir la lectura de presión a la medida de flujo de aire distribuido. Si la lectura de presión no corresponde con los valores que figuran en la lista, utilice el valor más bajo o intercale entre los valores: CFM (pies cúbicos por minuto) = valor menor + [(valor mayor - valor menor) \* 10 \* (lectura de presión - presión de menor valor)]. A continuación se presenta un ejemplo:

- La lectura de presión medida es 0.34 in de columna de agua
- La tabla 2 indica 205 CFM a 0.3 in de columna de agua y 175 a 0.4 in de columna de agua.
- Utilice 175 CFM o intercale:  

$$\text{CFM} = 175 + [(205-175) * 10 * (0.34-0.3)] = 175 + [(30) * 10 * (0.04)] = 175 + 12 = 187 \text{ CFM}$$

La intercalación demostrará un flujo de aire distribuido más elevado, pero es necesario realizar un cálculo.

**FIGURA 13: MEDICIÓN DE LA PRESIÓN EN LOS PUERTOS DE ENTRADA Y SALIDA DE PRESIÓN**



**TABLA 3: FLUJO DE AIRE DISTRIBUIDO DE ACUERDO CON LA PRESIÓN MEDIDA EN LOS PUERTOS DE PRESIÓN DEL VENTILADOR**

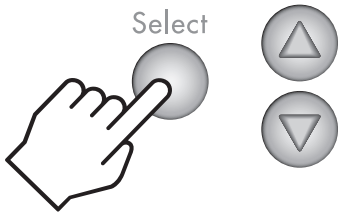
Presión medida (in de columna de agua)	Flujo de aire distribuido (pies cúbicos por minuto)
0.1	250
0.2	230
0.3	205
0.4	175
0.5	145
0.6	110
0.7	70

# MODELO 8140: CONFIGURACIÓN

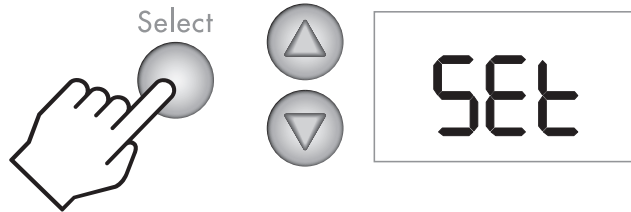
## AVISO

Antes de configurar el sistema de control, se debe medir la cantidad de aire de ventilación que se distribuye (CFM) de acuerdo con el sistema de ventilación instalado.

- 1** Mantenga presionado durante 5 segundos, luego suelte.



- 2**



En el menú de configuración, los botones ▲ y ▼ se utilizan para modificar los valores, el botón **Select (Seleccionar)** se utiliza para ingresar el valor y continuar con el siguiente elemento del menú de configuración.

TABLA 4: MENÚ DE CONFIGURACIÓN DEL MODELO 8140

Elemento del menú	Valores ▲ ▼	Descripción
	HP or HC	<b>HP</b> si realiza la conexión a una bomba de calor. <b>HC</b> si realiza la conexión a un sistema de calefacción o aire acondicionado.
	De 1 a 10	<b>Cantidad de habitaciones:</b> permite calcular la tasa de ventilación constante que se necesita.
	De 500 a 7500 pies cuadrados	<b>Pies cuadrados:</b> permite calcular la tasa de ventilación constante que se necesita.
	De 30 a 250 CFM	<b>Flujo de aire exterior medido</b> que se distribuye durante la ventilación.
	APAGADO, de 85 °F a 105 °F	<b>Límite de temperatura alta del sistema de ventilación.</b> La ventilación se limita cuando la temperatura exterior supera el valor de la configuración. Se apaga si no se establece un límite de temperatura alta.
	APAGADO, de -10 °F a 40 °F	<b>Límite de temperatura baja del sistema de ventilación.</b> La ventilación se limita cuando la temperatura exterior es inferior al valor de la configuración. Se apaga si no se establece un límite de temperatura baja.
	Encendido, "bLnd" (combinar), apagado	<b>ON (Encendido)</b> el ventilador del HVAC se enciende siempre que se produce la ventilación. <b>bLnd (combinar)</b> (blend) el ventilador del HVAC se enciende con el sistema de ventilación solo cuando la temperatura exterior se encuentra fuera de un rango determinado. <b>OFF (Apagado)</b> el ventilador del HVAC no se enciende con el sistema de ventilación.

TABLA 4: MENÚ DE CONFIGURACIÓN DEL MODELO 8140

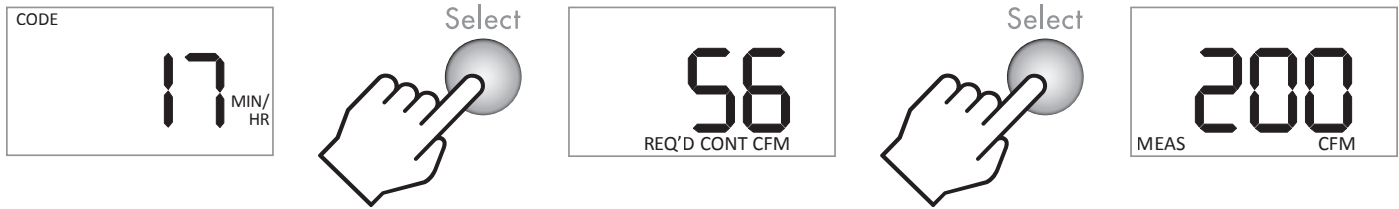
Elemento del menú	Valores ▲ ▼	Descripción
	APAGADO, de 60 °F a 5 °F menos que Vent. Temp. alta Límite	Esta opción solo está disponible cuando se selecciona la opción <b>bLnd</b> . Cuando la temperatura exterior es superior al valor configurado, el ventilador del HVAC se encenderá para mezclar (combinar) el aire exterior con el aire interior para brindar un ambiente templado.
	APAGADO, 5 °F menos que Vent. Temp. baja Límite a 55 °F	Esta opción solo está disponible cuando se selecciona la opción <b>bLnd</b> . Cuando la temperatura exterior es inferior al valor configurado, el ventilador del HVAC se encenderá para mezclar (combinar) el aire exterior con el aire interior para brindar un ambiente templado.
	"codE", "cFrT"	<b>codE (Código):</b> no se compensan los límites de RH (humedad relativa) ni la ventilación perdida por la temperatura, de acuerdo con la norma 62.2-2010 de ASHRAE. <b>cFrT (Comodidad):</b> permite agregar límites de RH (humedad relativa) interior al sistema de ventilación; no se compensa el tiempo de ventilación perdido por los límites establecidos.
	APAGADO, de 45 % a 70 % de RH	Esta opción solo está disponible cuando se selecciona la opción <b>cFrT</b> . Si la RH (humedad relativa) exterior supera los valores de la configuración, la ventilación no se producirá.
	APAGADO, de 10 % a 30 % de RH	Esta opción solo está disponible cuando se selecciona la opción <b>cFrT</b> . Si la RH (humedad relativa) exterior es menor a los valores de la configuración, la ventilación no se producirá.

Cuando se completan todas las opciones del menú de configuración, el sistema de control mostrará **Done (Listo)**.

**NOTA IMPORTANTE:** el sistema de control del modelo 8140 detecta la temperatura y la humedad del aire exterior. Para evitar que se produzcan períodos prolongados de inactividad, establezca el modo del sistema de control en **codE (Código)**, o si la configuración está establecida en **cFrT (Comodidad)**, establezca los límites de RH en **OFF (Apagado)**.

## MODELO 8140: VERIFICACIÓN DEL EVALUADOR/INSPECTOR

Para verificar la configuración del tiempo de ventilación, presione el botón **Select (Seleccionar)** para desplazarse por las opciones de Required Continuous CFM (CFM constantes necesarios) y Measured CFM (CFM medidos) calculados para esta instalación. Si algún valor no coincide con el valor esperado, se debe ingresar al menú de configuración para modificar la superficie cubierta, la cantidad de habitaciones o los CFM medidos.



El cálculo que se utiliza para la configuración del tiempo de ventilación es el siguiente (todos los cálculos cumplen con la norma 62.2-2010 de ASHRAE):

$$\text{Minutos por hora} = 60 * \left( \frac{\text{CFM constantes necesarios}}{\text{CFM medidos}} \right)$$

Los CFM medidos se especifican durante la configuración y los CFM constantes necesarios se calculan de acuerdo con la siguiente ecuación:

$$\text{CFM constantes necesarios} = ((\text{Superficie cubierta en pies cuadrados} * 0.01) + (\text{Cant. de habitaciones} + 1) * 7.5)$$

## MODELO 8140: SECUENCIA DE FUNCIONAMIENTO

### CONFIGURACIÓN “CODE” (CÓDIGO)

El sistema de control encenderá la ventilación de acuerdo con una demanda de calefacción, enfriamiento o ventilación según la cantidad de minutos establecidos para un ciclo de una hora. Si la temperatura exterior es superior al límite de temperatura alta del sistema de ventilación, la ventilación no se producirá con una demanda de enfriamiento o ventilación, pero si es inferior al límite de temperatura baja del sistema de ventilación se producirá con una demanda de calefacción. Si el equipo de HVAC no enciende lo suficiente para cumplir con el tiempo de ventilación dentro de la hora, el sistema de control encenderá la ventilación sin una demanda, si la temperatura del aire exterior está dentro de los límites de ventilación de temperatura alta y baja. El sistema de control también encenderá el ventilador del sistema de HVAC, si está conectado y configurado para realizar este procedimiento.

Si la temperatura exterior supera los límites establecidos cuando finaliza la primera hora, entonces no se producirá más ventilación durante otros 60 minutos y el ciclo se configurará de manera automática en cuatro horas. Cuando el ventilador vuelva a arrancar, tomará muestras de la temperatura del aire y, si está dentro del rango, cumplirá con la cantidad de ventilación establecida durante el período de cuatro horas del ciclo. Por ejemplo, si el tiempo de ventilación se configuró en 25 minutos por hora y la temperatura del aire disminuyó por debajo del límite de temperatura baja, la ventilación solo se producirá durante una demanda de calefacción. Si la calefacción solo funcionó durante 10 minutos durante la hora, el sistema de control cambiará automáticamente el período del ciclo a cuatro horas y funcionará para proporcionar los 90 minutos adicionales de ventilación (25 min/h \* 4 horas = 100 minutos, menos los 10 minutos de la ventilación que se produjo durante la calefacción) durante el período del ciclo de cuatro horas.

Si la temperatura del aire todavía está fuera de rango, el sistema de control cambiará automáticamente a un período de ciclo de 8 horas, luego a un ciclo de 12 horas y, por último, a un ciclo de 24 horas. Durante los períodos de ciclo de 8, 12 y 24 horas, el tiempo de ventilación total aumenta para compensar la efectividad del sistema de ventilación, tal como se establece en la norma 62.2-2010 de ASHRAE. Si el período de ciclo se configura automáticamente a 24 horas, el sistema de control activará la ventilación para cumplir los requisitos incluso si la temperatura está fuera de los límites establecidos.

### CONFIGURACIÓN “COMFORT” (COMODIDAD)

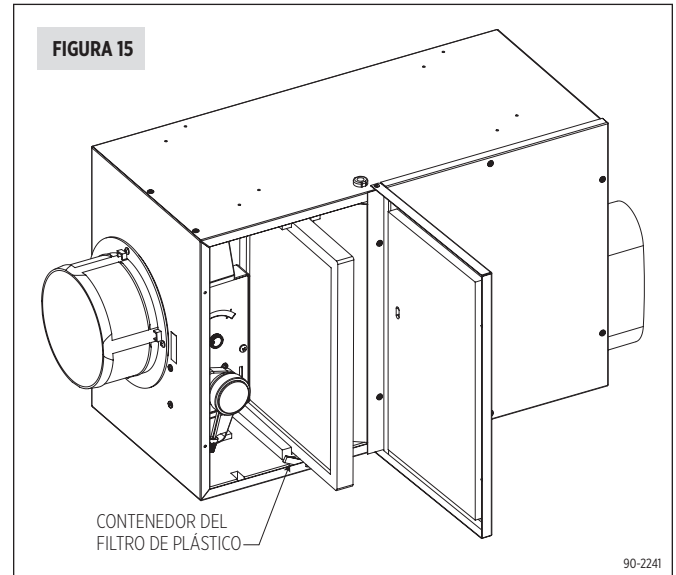
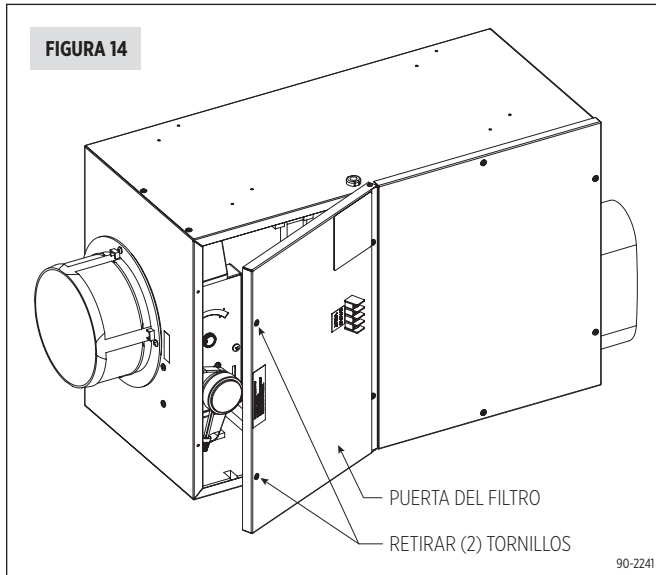
El sistema de control encenderá la ventilación con una demanda de calefacción, enfriamiento o ventilación del equipo de HVAC, si la temperatura del aire exterior está dentro de los límites de temperatura de ventilación alta y baja y la RH exterior está dentro de los límites de RH alta y baja, de acuerdo con la cantidad de minutos establecidos durante un período de ciclo de una hora. Si el equipo de HVAC no enciende lo suficiente para cumplir con el tiempo de ventilación dentro de la hora, el sistema de control encenderá la ventilación sin una demanda, si la temperatura del aire exterior y la RH (humedad relativa) interior se encuentran dentro de los límites establecidos. El sistema de control también encenderá el ventilador del sistema de HVAC, si está conectado y configurado para realizar este procedimiento.

## LIMPIEZA DEL FILTRO

Por lo general, el filtro de aire fresco se debe retirar y limpiar cada seis meses, pero debe verificarlo luego de los primeros tres meses posteriores a la instalación para determinar si es necesario realizar una limpieza con mayor o menor frecuencia. Una vez que limpie el filtro dentro del ventilador, limpie la malla en el extractor de admisión de aire fresco que se encuentra en el exterior de la vivienda. La causa más común por la cual se reduce la capacidad de ventilación es debido a que el extractor de admisión de aire está obstruido.

### Para limpiar el filtro del ventilador:

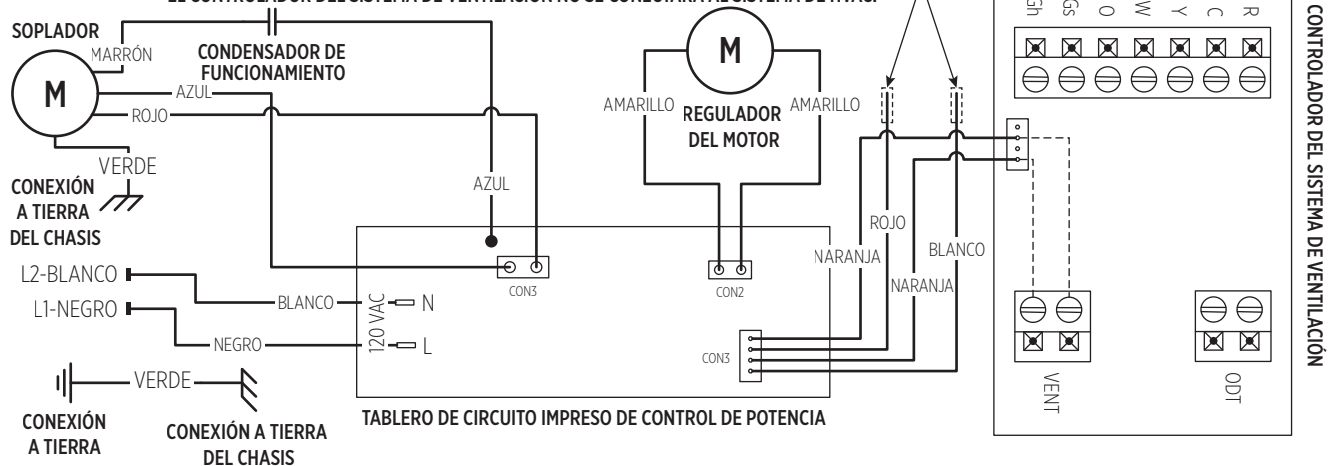
1. Retire los dos tornillos que sujetan la puerta del filtro a la carcasa y abra la puerta (FIGURA 14).
2. Gire el contenedor del filtro de plástico para liberar el filtro y retirarlo del ventilador (FIGURA 15).
3. Enjuague el filtro y sacuda el exceso de humedad del filtro.
4. Reemplace el filtro en el ventilador, gire el contenedor para asegurarlo en la carcasa, luego, cierre y asegure la puerta del filtro.



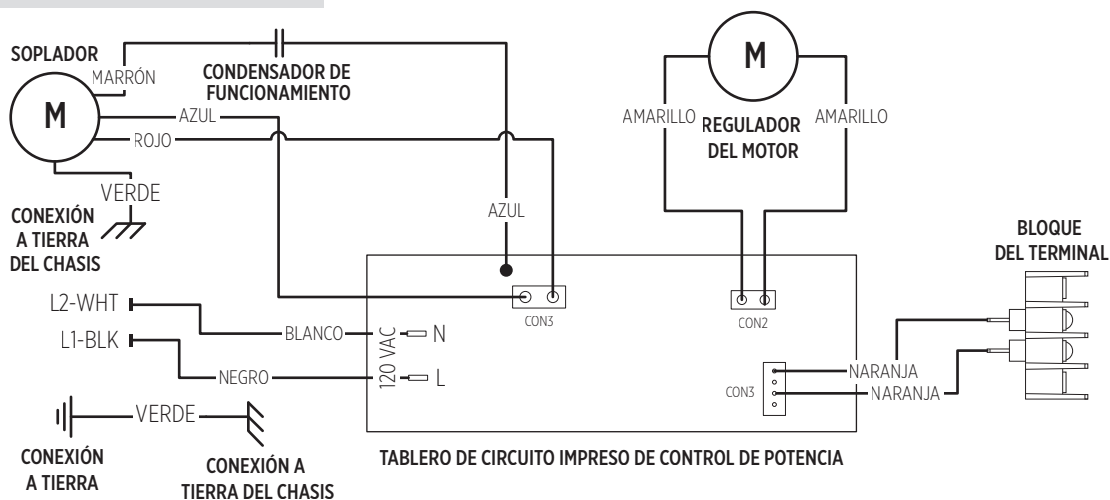
## ESQUEMAS INTERNOS

FIGURA 16: ESQUEMA INTERNO DEL MODELO 8140

LOS CABLES RECUBIERTOS DE COLOR ROJO Y BLANCO SE ENCUENTRAN DENTRO DE LA PUERTA DEL FILTRO Y SE UTILIZAN PARA ALIMENTAR EL SISTEMA DE CONTROL (TERMINALES R Y C) A PARTIR DEL TABLERO DE CIRCUITO IMPRESO DE CONTROL DE POTENCIA. **UTILIZAR SOLO SI EL CONTROLADOR DEL SISTEMA DE VENTILACIÓN NO SE CONECTARÁ AL SISTEMA DE HVAC.**



**FIGURA 17: ESQUEMA INTERNO DEL MODELO 8140NC**



## GARANTÍA LIMITADA

El ventilador de aire fresco de Research Products Corporation de Aprilaire® cuenta con una garantía de cinco (5) años a partir de la fecha de instalación que cubre defectos materiales o de mano de obra.

La obligación exclusiva de Research Products Corporation bajo esta garantía es la de suministrar, sin cargo, un repuesto para cualquier pieza que esté dañada dentro del período de los cinco (5) años mencionado y usted o su proveedor original puede devolverlo hasta treinta (30) días después del período de 5 (cinco) años a Research Products Corporation, Madison, Wisconsin 53701, junto con el número de modelo y la fecha de instalación del ventilador.

ESTA GARANTÍA NO OBLIGA A RESEARCH PRODUCTS CORPORATION A PAGAR COSTOS DE TRABAJO Y NO APLICA PARA LOS DEFECTOS EN LA MANO DE OBRA O LOS MATERIALES PROPORCIONADOS POR SU TÉCNICO ESPECIALISTA EN INSTALACIÓN A DIFERENCIA DE LOS DEFECTOS QUE SE ENCUENTREN EN EL VENTILADOR EN SÍ.

LAS GARANTÍAS IMPLICADAS DE COMERCIALIZACIÓN O ADAPTACIÓN PARA UN PROPÓSITO EN PARTICULAR SE LIMITARÁ A LA DURACIÓN DEL PERÍODO DE CINCO AÑOS ANTEDICHO. LA RESPONSABILIDAD DE RESEARCH PRODUCTS CORPORATION POR DAÑOS ACCIDENTALES O CONSECUENTES, ADEMÁS DE DAÑOS POR LESIONES PERSONALES QUE RESULTEN DE CUALQUIER INCUMPLIMIENTO DE LAS GARANTÍAS IMPLÍCITAS ANTEDICHAS O LA GARANTÍA LIMITADA ANTERIOR SE EXCLUYEN EXPRESAMENTE. SI LA INSTALACIÓN DE ESTA UNIDAD NO FUE REALIZADA POR UN TÉCNICO ESPECIALISTA EN CALEFACCIÓN Y AIRE ACONDICIONADO CALIFICADO SE ANULA ESTA GARANTÍA LIMITADA. SI LA GARANTÍA LIMITADA SE ANULA POR NO LLAMAR A UN TÉCNICO CALIFICADO, TODOS LOS DESCARGOS DE RESPONSABILIDADES DE LAS GARANTÍAS IMPLICADAS ENTRARÁN EN VIGOR LUEGO DE LA INSTALACIÓN.

Algunos estados no permiten limitaciones acerca de cuánto durará una garantía implícita o la exclusión o limitación de los daños accidentales o consecuentes de manera que las exclusiones y limitaciones anteriores pueden no aplicar para usted.

Esta garantía le proporciona derechos legales específicos y también puede tener otros derechos que varían de estado a estado.

## REGISTRO DE GARANTÍA

Visite nuestro sitio web en [www.aprilaire.com](http://www.aprilaire.com) para registrar su producto Aprilaire. Si no tiene acceso en línea, envíe una carta con su nombre, dirección, número de teléfono, producto comprado, número de modelo, fecha de compra, y nombre del distribuidor a la siguiente dirección: Research Products Corporation, P. O. Box 1467, Madison, WI 53701.

**La información de registro de su garantía no se venderá ni compartirá fuera de esta compañía.**

AprilairePartners.com

P.O. Box 1467

Madison, Wisconsin 53701-1467

800.334.6011 F: 608.257.4357

Impreso en EE. UU.

©2019 Aprilaire. Una división de Research Products Corporation

**Aprilaire®**